

ACRYLIC ATX CASE

Acrylic 6 Bay ATX Mid-Tower Case

ATXMIDCLRKIT

Assembly Guide



* Actual product may vary from photo


MUTANT MODS™
By StarTech.com

Introduction

A good case is the foundation of any modded system. This blue-tinted clear acrylic case takes you a step beyond windowed cases and is perfect for any hardware enthusiast who wants to show off their components. You have total control over both the form and function of your system.

The roomy interior fits a full-sized ATX motherboard, seven expansion slots, and a total of six drive bays, giving you lots of room to build the system of your dreams. There's also two front USB 2.0 ports for your external peripherals.

Clear cases also give you unprecedented control over how your case is going to look. Mutant Mods carries all kinds of cold cathode and EL wire lighting products, fans and fan grills, cables, modded power supplies, and everything else you need to make your case the envy of all your friends.

Tips

- Wear the gloves when handling the case to avoid fingerprints or smudges.
- Avoid tightening the screws for the panels until you are sure that all components line up correctly. Loosely screw each panel into place at first, then tighten them when the case is fully assembled.
- Do not use electric screwdrivers to assemble this case. The panel screws are made from a soft metal and too much pressure may cause them to break.

Parts



Aluminum Backplate



PCI slot cover plates



I/O shield plate



USB set



Power/Reset set



Speaker set



8 x 8.0mm panel screws



24 x 5.0mm panel screws



8 x Faceplate pins



12 x Fan screws



30 x Drive mount screws



4 x Long power supply
mount screws



7 x PCI/motherboard
mount screws



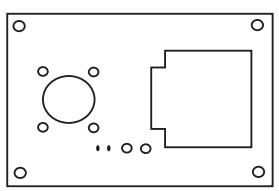
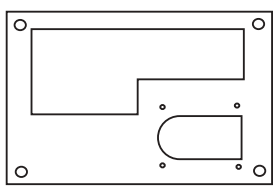
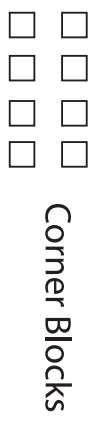
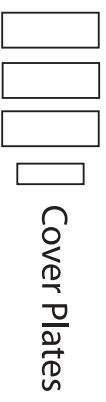
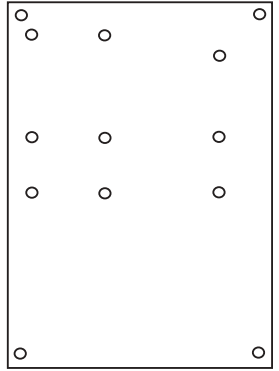
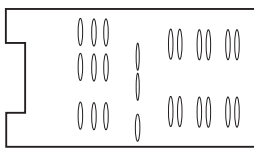
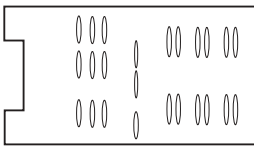
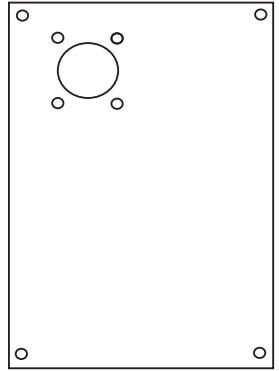
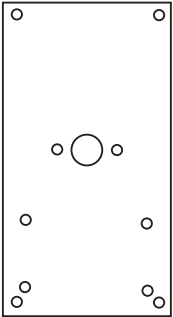
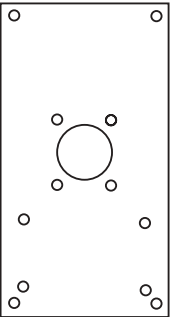
12 x Hard drive
standoff screws



4 x Floppy drive
standoff screws

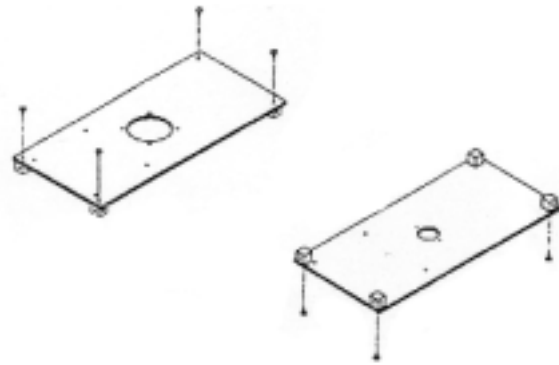
- A pair of cotton gloves

ACRYLIC PARTS



Assembling Your Case

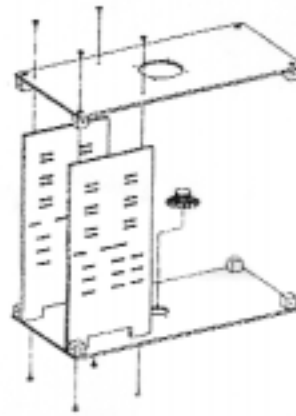
1. Place four corner blocks on both the top and bottom panels. Secure with 5mm panel screws.



Materials:

- 8 x corner blocks
- 8 x 5mm panel screws

2. Place the two interior panels between the top and bottom panels. Secure them with 5mm panel screws. Place the speaker into the hole on the bottom panel and secure it into place with the provided screws.



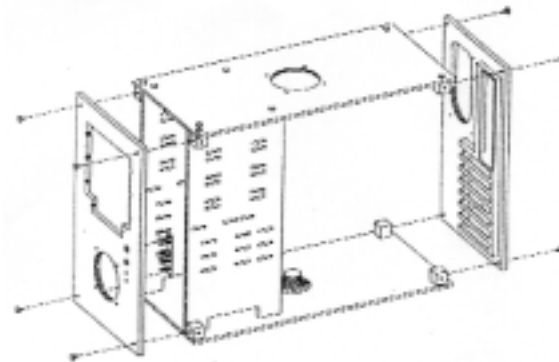
Materials:

- 8 x 5mm panel screws

3. Place the front and back panels and lock them with 8mm panel screws.

Materials:

- 8 x 8mm panel screws



4. Install your disk drives and power supply between the two interior side panels.

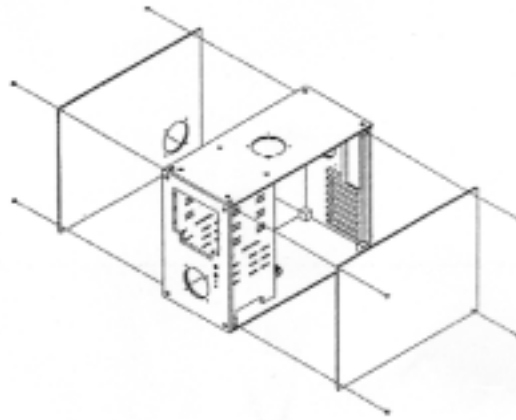
Materials:

(Depending on case configuration)

- Drive mount screws
- Hard drive standoff screws
- Floppy drive standoff screws
- Power supply screws

5. Secure your motherboard to the left panel. Plug the cables from the front panel (USB 2.0 ports, Power, reset, etc) to the proper pins on your motherboard. Check with your motherboard manufacturer for details.

Connect all cables, cards, and fans as directed by the device manufacturer. Secure both side panels to the case using 5mm panel screws.



Materials:

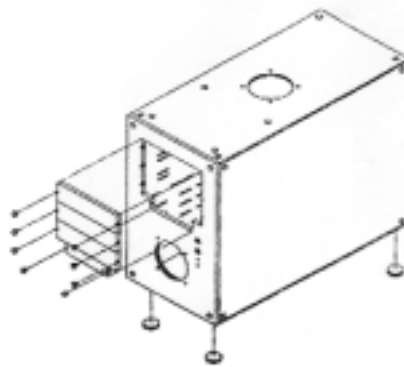
(Depending on case configuration)

- 8 x 5mm panel screws
- Motherboard mount screws
- Fan screws

6. Place the cover plates over any unused drive bays and stick the base feet on the bottom of the case.

Materials

- Faceplate pins
- Feet



Specifications

Enclosure Construction	Acrylic
Thickness	9mm
Case Dimensions	Width: 8.7 in. (221mm) Height: 14.7 in. (373mm) Depth: 18.7 in. (475mm)
External Drive Bays	3 x 5.25" Drive Bays & 1 x 3.5" Drive Bays
Internal Drive Bays	2 x 3.5" Drive Bays
Expansion Slots	7 slots with screwdriver-free thumbscrews
Supported Motherboards	ATX or Micro ATX
Front Jacks	2 x USB 2.0 ports

Warranty Information

This product is backed by a one-year warranty. In addition, StarTech.com warrants its products against defects in materials and workmanship for the periods noted, following the initial date of purchase. During this period, the products may be returned for repair, or replacement with equivalent products at our discretion. The warranty covers parts and labor costs only. StarTech.com does not warrant its products from defects or damages arising from misuse, abuse, alteration, or normal wear and tear.

Limitation of Liability

In no event shall the liability to StarTech.com Ltd. (or its officers, directors, employees or agents) for any damages (whether direct or indirect, special, punitive incidental, consequential, or otherwise), loss of profits, loss of business, or any pecuniary loss, arising out of related to the use of the product exceed the actual price paid for the product.

Some states do not allow the exclusion or limitation of incidental or consequential damages. If such laws apply, the limitations or exclusions contained in this statement may not apply to you.



Toll Free:

USA/Canada: 1-888-720-0202

UK/Ireland/Europe: 00-800-7827-8324

www.mutantmods.com

Call StarTech.com tech support for help:

USA/Canada: 1-800-265-1844

UK/Ireland/Europe: 00-800-7827-8324

Support hours: Monday to Friday 8:30AM to 6:00PM EST (except holidays)

Revised: November 20, 2003