

SAT5210U2E

Instruction Manual

SATA Optical Drive Enclosure

5.25" USB 2.0 eSATA to SATA
Optical Drive External Enclosure

INFO  **SAFE**

StarTech.com 
Making hard-to-find easy![®]

Use of Trademarks, Registered Trademarks, and other Protected Names and Symbols

This manual may make reference to trademarks, registered trademarks, and other protected names and/or symbols of third-party companies not related in any way to StarTech.com. Where they occur these references are for illustrative purposes only and do not represent an endorsement of a product or service by StarTech.com, or an endorsement of the product(s) to which this manual applies by the third-party company in question. Regardless of any direct acknowledgement elsewhere in the body of this document, StarTech.com hereby acknowledges that all trademarks, registered trademarks, service marks, and other protected names and/or symbols contained in this manual and related documents are the property of their respective holders.

Table of Contents

Introduction	1
Packaging Contents.....	1
System Requirements	1
Installation	2
Hardware Installation.....	2
Driver Installation.....	4
How to Use	4
Specifications	6
Technical Support	7
Warranty Information	7

Introduction

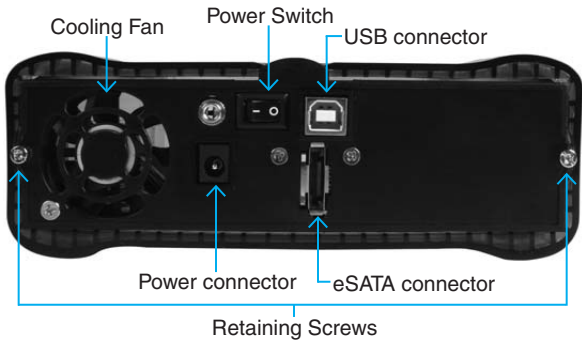
Thank you for purchasing a StarTech.com InfoSafe 5.25" eSATA/USB 2.0 SATA Optical Drive External Enclosure. This versatile solution provides a cost-effective way to turn any 3.5" SATA 1.5/3.0 Gbps hard drive, or 5.25" optical drive into an external solution. Equipped with both USB 2.0 and eSATA interfaces for maximum data transfer capability and convenient connectivity to the host computer, SAT5210U2E protects installed drives with a sturdy yet attractive aluminum casing and a 40mm fan to help cool the drive for optimal performance.

Packaging Contents

- 1 x SAT5210U2E enclosure
- 1 x USB A-B cable
- 1 x Screw kit
- 1 x Installation CD
- 1 x Instruction Manual

System Requirements

- USB and/or eSATA enable computer system
- Microsoft Windows® 98SE/ME/2000/XP/Vista, or Mac OS® X



Installation

Hardware Installation

1. Loosen the Retaining Screws, on the rear panel. Please note that these screws do not need to be removed, rather loosened enough to allow the Hard Drive Tray to slide out from the enclosure.
2. Slide the Drive Tray out from the Enclosure.
3. Connect the drive you wish to install (hard drive, optical drive) to the SATA data and power cables provided by the circuit board attached to the Drive Tray:



4. Once the drive interface connection has been made, please fasten the drive (label side up) to the Drive Tray using the screws provided:



5. If installing a 3.5" hard drive, please skip to step #6. If installing an optical drive:

Once the SATA connections to the drive have been secured, and the drive has been fastened to the Drive Tray, remove the plastic cover from the Front Panel as pictured below, to allow access to an installed optical drive.



Apply gentle pressure from left to right (with Enclosure facing you) to loosen the plastic cover. Once loosened, gently pry the plastic cover away from the Enclosure.

6. Slide the Drive Tray (with drive installed) into the Drive Enclosure, and tighten the Retaining Screws (loosened in step #1) on the front panel to secure the tray within the Enclosure. Installation is now complete:

Driver Installation

Windows 98SE/ME

To install the necessary drivers, insert the Driver CD (included) into the CD/DVD drive:

1. When the Add New Hardware Wizard appears, please click on Next.
2. Select Search for the best driver for your device (Recommended) and click on Next.
3. You will be asked to specify the location of the Windows 98 driver. Please ensure that Specify a location and CD-ROM drive are selected (with checkmarks) and click on Browse to locate the driver file (D:\JM20336_Win98 driver), where D: designates the CD/DVD drive. Once the file has been located, click on Next.
4. Once Windows has located the necessary file, click on Next.
5. Once Windows finishes installing the software that your hardware device requires, click on Finish to conclude installation.

Windows 2000/XP/Vista, Mac OS X

No driver installation is required for these operating systems, as this enclosure is natively supported, so the drivers are already installed.

How to Use

Once the drive has been secured within the enclosure, it can be connected to the host computer while the host computer is powered on.

If you will be using an eSATA connection, insert one of the connectors provided by an eSATA cable (not provided - please see Accessory Products from StarTech.com for a solution), or the USB type B connector provided by a USB A-B cable (provided), into the corresponding port on the rear panel of the Drive Enclosure.

Connect the remaining end of the eSATA or USB cable to an available eSATA or USB type A port on the host computer as necessary.

Insert the cylindrical, metal connector provided by the Power Adapter (included) into the DC Power Port located on the rear panel of the Enclosure. Connect the remaining end of the Power Adapter to an available power outlet.

Move the Power Switch on the rear panel of the Enclosure to the ON position. If the Enclosure is connected to a host computer that is running Windows ME or above, or Mac OS 9.x or higher, the operating system on the host computer will detect that the connection is present, and install the necessary drivers. If the host computer is running Windows 98SE, please follow the instructions listed in the next section, titled Driver Installation.

If you are installing an optical drive, such as a CD/DVD drive etc., you may be required to install software that is specific to the drive. If this is the case, please ensure you have the files available from the drive manufacturer. For further information on this step, please consult the documentation that accompanied the optical drive.

Specifications

Bus Interface	USB 2.0 SATA 3.0Gb/s
External Connectors	1 x USB type B 1 x eSATA 1 x Power Connector
Fans	1 x 40mm
LEDs	Power
Chipset ID	JMicron JMB20336
Maximum Data Transfer Rate	USB 2.0: 480Mb/s eSATA: 3.0Gb/s
Power Adapter	12VDC, 2A, center positive
Dimensions	259.0mm x 166.0mm x 58.0mm
Weight	930g
Compatible Operating Systems	Windows 98SE/ME/2000/XP/ Vista, Mac OS X

Technical Support

StarTech.com's lifetime technical support is an integral part of our commitment to provide industry-leading solutions. If you ever need help with your product, visit www.startech.com/support and access our comprehensive selection of online tools, documentation, and downloads.

Warranty Information

This product is backed by a one year warranty.

In addition, StarTech.com warrants its products against defects in materials and workmanship for the periods noted, following the initial date of purchase. During this period, the products may be returned for repair, or replacement with equivalent products at our discretion. The warranty covers parts and labor costs only. StarTech.com does not warrant its products from defects or damages arising from misuse, abuse, alteration, or normal wear and tear.

Limitation of Liability

In no event shall the liability of StarTech.com Ltd. and StarTech.com USA LLP (or their officers, directors, employees or agents) for any damages (whether direct or indirect, special, punitive, incidental, consequential, or otherwise), loss of profits, loss of business, or any pecuniary loss, arising out of or related to the use of the product exceed the actual price paid for the product. Some states do not allow the exclusion or limitation of incidental or consequential damages. If such laws apply, the limitations or exclusions contained in this statement may not apply to you.



StarTech.com has been making “hard-to-find easy” since 1985, providing high quality solutions to a diverse IT and A/V customer base that spans many channels, including government, education and industrial facilities to name just a few. We offer an unmatched selection of computer parts, cables, A/V products, KVM and Server Management solutions, serving a worldwide market through our locations in the United States, Canada, the United Kingdom and Taiwan.

Visit **www.startech.com** today for complete information about all our products and to access exclusive interactive tools such as the Cable Finder, Parts Finder and the KVM Reference Guide.