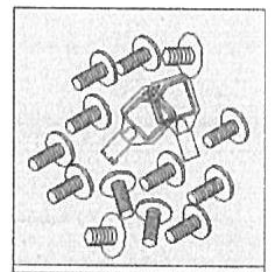
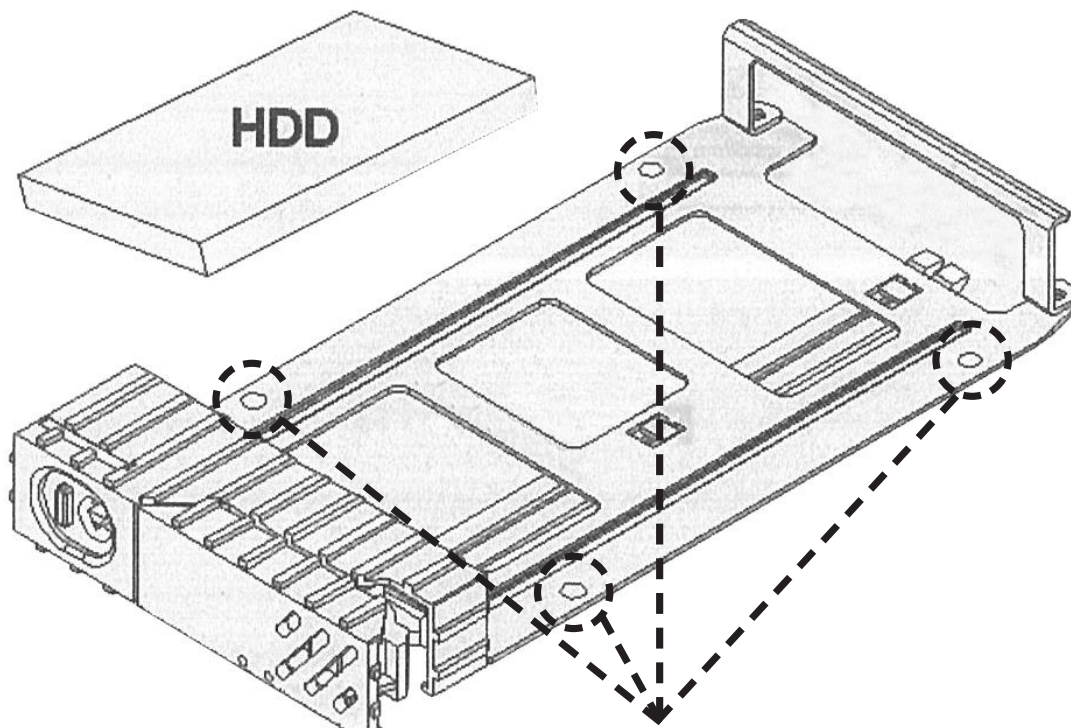
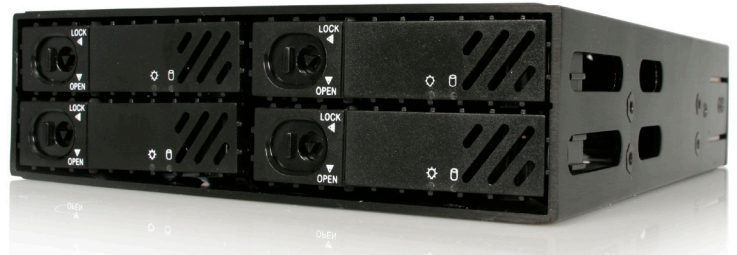


SATABAY425BK User Guide

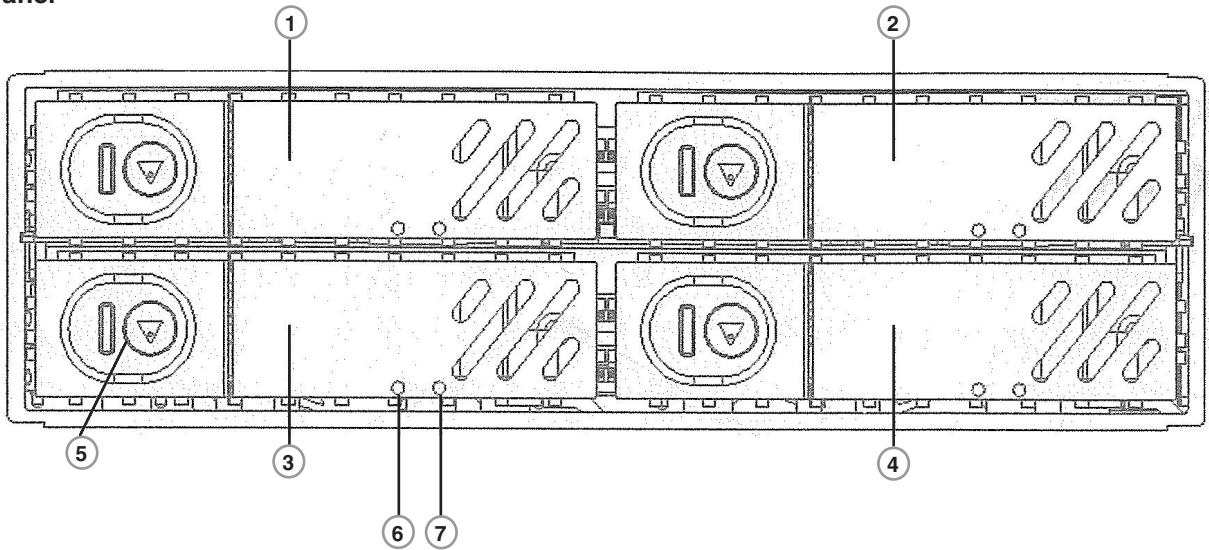
Features

- High Performance transfer rates of up to 3Gbps (SAS), 1.5Gbps (SATA- I), 3Gbps (SATA - II)
- Interface support: SAS, SATA-I, SATA-II
- Form Factor: 1 x 5.25" bay for 4 x 2.5" SAS and SATA hard drives
- Support for RAID 0, 1, 5 functions (requires optional SAS or SATA RAID Control Card)
- Plug & Play, hot-swappable
- Point-to-point, free from master/slave settings
- 4-pin power, 7-pin signal connectors
- Cooling fan: Two built-in 40mm fans
- Power and HDD Access LEDs
- Dimensions: 185(L) x 146(W) x 42(H)
- Weight: 0.7Kg
- Aluminum Frame

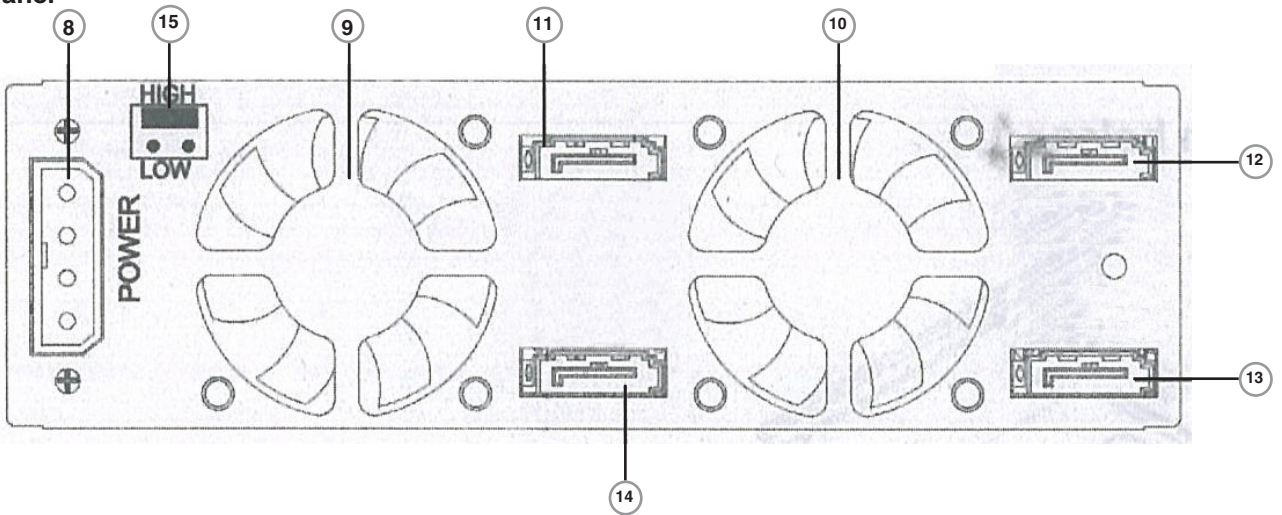


There are four screw holes at the bottom of each tray; use the screw kit provided to fasten the drive to the tray

Front Panel



Rear Panel



| | |
|----------------|--|
| 1, 2, 3, 4 | Hard Drive Tray |
| 5 | Safety Key Lock |
| 6 | Power LED (green when active) |
| 7 | Hard Drive Access LED (Amber while active) |
| 8 | 4-pin Power Connector |
| 9, 10 | Cooling Fan |
| 11, 12, 13, 14 | SATA or SAS Data Port Connectors |
| 15 | Fan Switch |

Please Note:

- 1) For SATA RAID controllers, use 4 x SATA 7pin data cables
- 2) For SAS RAID controllers, different SAS controller may need different types of cable connections
- 3) You must use a Dual Channel SAS control card, if you wish to use both SAS and SATA drives

Technical Support

StarTech.com's lifetime technical support is an integral part of our commitment to provide industry-leading solutions. If you ever need help with your product, visit www.startech.com/support and access our comprehensive selection of online tools, documentation, and downloads.

Warranty Information

This product is backed by a one-year warranty. In addition, StarTech.com warrants its products against defects in materials and workmanship for the periods noted, following the initial date of purchase. During this period, the products may be returned for repair, or replacement with equivalent products at our discretion. The warranty covers parts and labor costs only. StarTech.com does not warrant its products from defects or damages arising from misuse, abuse, alteration, or normal wear and tear.

Limitation of Liability

In no event shall the liability of StarTech.com Ltd. and StarTech.com USA LLP (or their officers, directors, employees or agents) for any damages (whether direct or indirect, special, punitive, incidental, consequential, or otherwise), loss of profits, loss of business, or any pecuniary loss, arising out of or related to the use of the product exceed the actual price paid for the product. Some states do not allow the exclusion or limitation of incidental or consequential damages. If such laws apply, the limitations or exclusions contained in this statement may not apply to you.