

External USB 2.0 DVD-RW Drive

External Slim USB 2.0 8x DVD-RW Drive

SLIMDVDRW8U2

Instruction Manual



Actual product may vary from photo

StarTech.com 
Making hard-to-find easy!

FCC Compliance Statement

This equipment has been tested and found to comply with the limits for a Class B digital device, pursuant to part 15 of the FCC Rules. These limits are designed to provide reasonable protection against harmful interference in a residential installation. This equipment generates, uses and can radiate radio frequency energy and, if not installed and used in accordance with the instructions, may cause harmful interference to radio communications. However, there is no guarantee that interference will not occur in a particular installation. If this equipment does cause harmful interference to radio or television reception, which can be determined by turning the equipment off and on, the user is encouraged to try to correct the interference by one or more of the following measures:

- Reorient or relocate the receiving antenna.
- Increase the separation between the equipment and receiver.
- Connect the equipment into an outlet on a circuit different from that to which the receiver is connected.
- Consult the dealer or an experienced radio/TV technician for help.

Use of Trademarks, Registered Trademarks, and other Protected Names and Symbols

This manual may make reference to trademarks, registered trademarks, and other protected names and/or symbols of third-party companies not related in any way to StarTech.com. Where they occur these references are for illustrative purposes only and do not represent an endorsement of a product or service by StarTech.com, or an endorsement of the product(s) to which this manual applies by the third-party company in question. Regardless of any direct acknowledgement elsewhere in the body of this document, StarTech.com hereby acknowledges that all trademarks, registered trademarks, service marks, and other protected names and/or symbols contained in this manual and related documents are the property of their respective holders.

Table of Contents

Introduction	1
Features	1
Before You Begin	1
Hardware Installation	1
Package Contents	1
Installation	2
Software Installation	2
Drive Operation	3
Specifications	4
Technical Support	4
Warranty Information	4

Introduction

Thank for purchasing a StarTech.com External Slim USB 2.0 8x DVD-RW Drive. A perfect notebook accessory, now, you can copy and transfer data for efficient backups, without needing a built-in DVD-RW drive. The attractive, discreet casing of this device blends perfectly with your laptop, and its thin, yet durable design fits handily into your notebook carrying case for times when you are on the move.

Features

- Slim 12.7mm height drive design
- Supports mini CDs
- Hot swappable plug and play installation
- No power adapter required
- Includes Nero 7 Essentials software

Before You Begin

System Requirements

- Software requirements: Windows: 98SE, ME, 2000, XP, Vista.
MAC OS 10.4 or higher
- A PC or Mac computer with at least one available USB port. If no external power supply is to be used, two USB ports must be available.

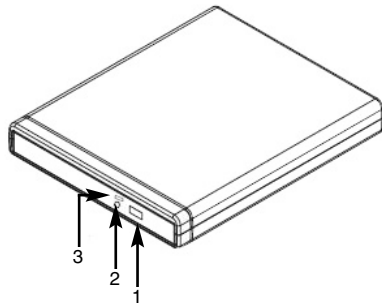
Package Contents

This package should contain:

- External Slim USB 2.0 8x DVD-RW Drive
- USB 2.0 Cable
- Power Adapter
- Includes Nero 7 Essentials software
- CD (W98SE Driver)
- User Manual

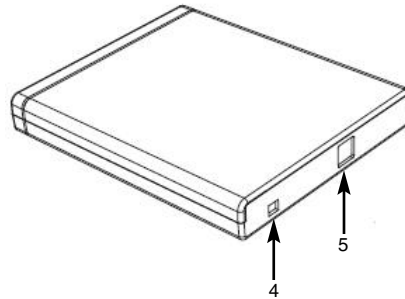
Installation

Front Panel



- 1 Eject/Load button
- 2 Emergency Eject pinhole
- 3 Read/Write indicator

Rear Panel



- 4 Power port (optional)
- 5 USB 'B' Port

Hardware Installation

1. Connect the "B" type connector provided by the included USB cable into the USB 'B' slot located on the rear panel of SLIMDVDRW8U2.
2. ***If you have multiple USB ports available on the host computer,*** connect both of the remaining connectors on the USB cable to available USB ports on the host computer.

If you only have one USB port available on the host computer, you are required to use the power adapter provided. Connect the remaining USB connector (connector attached to the main cable directly) to the available USB port. Insert the cylindrical metal connector provided by the included power adapter, into the power port on the rear panel of the drive. Connect the remaining end of the power adapter to an available power outlet.

Once the drive is powered and connected to the host computer, the necessary drivers will need to be installed.

Software Installation

Windows 98/98SE

Once the drive is powered and connected to the host computer, Windows will detect the presence of the connected drive, and request the driver CD. Insert the included Driver CD into the existing CD/DVD-ROM drive, and follow all prompts (i.e. **Next**, **Finish**) to complete installation.

Windows ME, 2000, XP, Vista

Once the drive is powered and connected to the host computer, Windows will detect the presence of the connected drive and automatically install the necessary software. Follow all prompts (i.e. **Next**, **Finish**) to complete installation.

MAC OS 10.4 or higher

Once the drive is powered and connected to the host computer, the operating system will detect the presence of the connected drive and automatically install the necessary software.

Drive operation

Once installation has concluded, you will be able to use the DVDRW drive as though it were installed within the computer. To insert a DVD/CD, press the **Eject/Load** button, located on the front panel of the drive. This will open the tray for use. Close the drive by pressing the button again.

Specifications

Regulatory Certifications	DVDRW Drive: UL, CE, TUV, CB, RoHS Power Adapter: FCC, UL/cUL
Interface	USB 2.0
Form Factor	External Slim 5.25" Enclosure with DVD Drive Plastic enclosure
Connectors	USB Type B Female
Power Adapter	5VDC, 2.0A
Buffer Memory	2MB
Error rate	Soft Read Error (Less than 10^{-9}) Hard Read Error (Less than 10^{-12})
Operating Temperature	5 ~ 50° C
Storage Temperature	-30 ~ 65° C
Relative Humidity Range	Operating 5 ~ 90% (No condensation) Storage 5 ~ 95% (No condensation)
Dimensions	165 x 135 x 23 mm (L x W x H), 6.5 x 5.3 x 0.9" (L x W x H)
Weight	350 g (12.34Oz)
Read capability	8X DVD-ROM, 24X CD-ROM, 8X CD+R, 4X CD+RW
Write capability	5X DVD-RAM, 8X DVD-R, 4X DVD-RW 24X DVD-R, 10X DVD-RW, 2X DVD-R DL, 2.4X DVD+R DL

Technical Support

StarTech.com's lifetime technical support is an integral part of our commitment to provide industry-leading solutions. If you ever need help with your product, visit www.startech.com/support and access our comprehensive selection of online tools, documentation, and downloads.

Warranty Information

This product is backed by a one-year warranty. In addition, StarTech.com warrants its products against defects in materials and workmanship for the periods noted, following the initial date of purchase. During this period, the products may be returned for repair, or replacement with equivalent products at our discretion. The warranty covers parts and labor costs only. StarTech.com does not warrant its products from defects or damages arising from misuse, abuse, alteration, or normal wear and tear.

Limitation of Liability

In no event shall the liability of StarTech.com Ltd. and StarTech.com USA LLP (or their officers, directors, employees or agents) for any damages (whether direct or indirect, special, punitive, incidental, consequential, or otherwise), loss of profits, loss of business, or any pecuniary loss, arising out of or related to the use of the product exceed the actual price paid for the product. Some states do not allow the exclusion or limitation of incidental or consequential damages. If such laws apply, the limitations or exclusions contained in this statement may not apply to you.

About StarTech.com

StarTech.com is “The Professionals’ Source for Hard-to-Find Computer Parts”. Since 1985, we have been providing IT professionals with the quality products they need to complete their solutions. We offer an unmatched selection of computer parts, cables, server management solutions and A/V products and serve a worldwide market through our locations in the United States, Canada, the United Kingdom and Taiwan.

Visit **www.startech.com** for complete information about all our products and to access exclusive interactive tools such as the Parts Finder and the KVM Reference Guide. StarTech.com makes it easy to complete almost any IT solution. Find out for yourself why our products lead the industry in performance, support, and value.