

2 or 4 Port DVI VGA Dual Monitor USB KVM Switch w/ Audio & USB 2.0 Hub

SV231DDUSB

SV431DDUSB



*SV431DDUSB Shown

DE: Bedienungsanleitung - de.startech.com

FR: Guide de l'utilisateur - fr.startech.com

ES: Guía del usuario - es.startech.com

IT: Guida per l'uso - it.startech.com

NL: Gebruiksaanwijzing - nl.startech.com

PT: Guia do usuário - pt.startech.com

For the most up-to-date information, please visit: www.startech.com

FCC Compliance Statement

This equipment has been tested and found to comply with the limits for a Class B digital device, pursuant to part 15 of the FCC Rules. These limits are designed to provide reasonable protection against harmful interference in a residential installation. This equipment generates, uses and can radiate radio frequency energy and, if not installed and used in accordance with the instructions, may cause harmful interference to radio communications. However, there is no guarantee that interference will not occur in a particular installation. If this equipment does cause harmful interference to radio or television reception, which can be determined by turning the equipment off and on, the user is encouraged to try to correct the interference by one or more of the following measures:

- Reorient or relocate the receiving antenna.
- Increase the separation between the equipment and receiver.
- Connect the equipment into an outlet on a circuit different from that to which the receiver is connected.
- Consult the dealer or an experienced radio/TV technician for help.

Use of Trademarks, Registered Trademarks, and other Protected Names and Symbols

This manual may make reference to trademarks, registered trademarks, and other protected names and/or symbols of third-party companies not related in any way to StarTech.com. Where they occur these references are for illustrative purposes only and do not represent an endorsement of a product or service by StarTech.com, or an endorsement of the product(s) to which this manual applies by the third-party company in question. Regardless of any direct acknowledgement elsewhere in the body of this document, StarTech.com hereby acknowledges that all trademarks, registered trademarks, service marks, and other protected names and/or symbols contained in this manual and related documents are the property of their respective holders.

Table of Contents

Introduction	1
Packaging Contents	1
System Requirements.....	1
Installation	3
Hardware Installation	3
Driver Installation.....	3
Operation	4
Hotkey Reference Chart	5
Specifications	7
Technical Support	8
Warranty Information	8

Introduction

The StarTech.com SV231DDUSB 2-port Dual Monitor KVM Switch (DVI+VGA) offers a complete dual display multimedia switching solution, allowing users to control 2 computers using a single USB mouse and keyboard peripheral set.

With support for high-resolution video interfaces, the versatile dual monitor KVM switch provides 1 VGA (analog) and 1 DVI-I port per computer connection, as well as audio switching capability between connected computers.

Delivering the capability you need for virtually any application, the dual monitor KVM switch features an integrated 2-port USB hub that allows connected USB 2.0 peripherals to be shared between connected computers, eliminating the need to purchase duplicate peripherals.

Suitable for any workspace, the dual monitor KVM switch features a compact, desktop KVM design and features a rugged metal chassis that helps ensure durability.

NOTE: While both DVI-I (analog mode) and DVI-D (digital only) are supported by the KVM, both source PCs must output the same signal type for proper switching. It is recommended wherever possible to use DVI-D cables across all PC to KVM and KVM to Console connections. If necessary, please contact our technical support team for assistance identifying your source.

The 2-port DVI+VGA dual monitor KVM switch is backed by a StarTech.com 2-year warranty and free lifetime technical support.

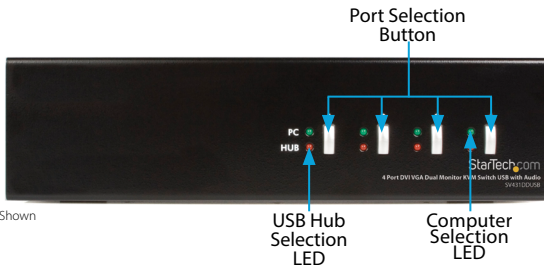
Packaging Contents

- 1x 2 Port DVI/VGA KVM Switch
- 1x Power Adapter
- 1x Instruction Manual

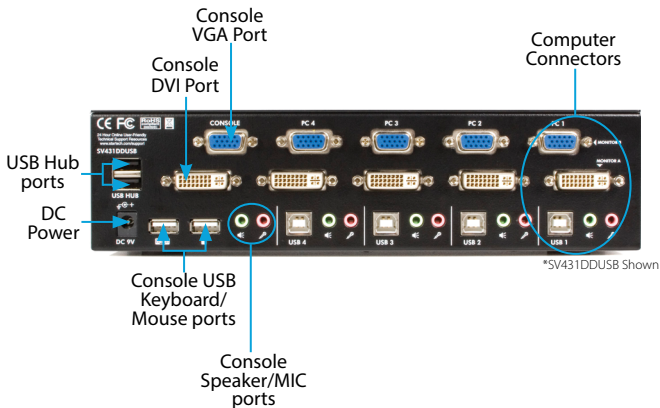
System Requirements

- Standard 104-key wired USB keyboard
- Standard 3-button wired USB mouse
- DVI enabled display device (i.e. monitor, HDTV, etc.) with appropriate DVI cable
- DVI male/ male cable for each computer
- VGA enabled display device (i.e. monitor, HDTV, etc.) with appropriate VGA cable
- DVI male/ male cable for each computer
- USB/DVI/VGA enabled computer system(s) with available USB/DVI/VGA ports

SV431DDUSB Front



SV431DDUSB Back



Installation

Hardware Installation

NOTE: Prior to the installation, please power off all devices that will be connected to this system.

1. Place the KVM switch in close proximity to the keyboard, mouse, and monitor(s) you wish to use as the console controls.
2. Connect the USB keyboard, mouse, speakers and microphone (if applicable) to the KVM switch.
3. Connect the DVI monitor into the Console's DVI connector.
4. Connect the VGA monitor into the Console's VGA connector.

OPTIONAL: Connect any other USB peripheral you wish to share between the connected computers/devices to the extra USB Hub port on the Console side.

5. Use male-to-male video cables to connect the DVI and VGA connectors on the computer's video card, to the DVI and VGA ports for one of the KVM's PC ports (i.e. PC1).

NOTE: Do not mix different types of DVI cables (DVI-I, DVI-D) on the same KVM switch.

6. Use a USB type A-B Cable to connect the KVM's USB port (type B, square connector) for the PC port used in the previous step, and the USB port on the computer (type A, flat connector). If using audio, connect 3.5mm mini-jack cables from the PC port to the sound card.

NOTE: DVI + USB + Audio KVM combo cables are also available which can be used in place of separate individual cables (e.g. StarTech.com ID: DVI4N1USB6).

7. Repeat the previous two steps for each PC port on the KVM switch, or each computer you wish to use on the KVM switch.
8. Connect the external power adapter from a wall outlet to the power connector on the rear panel of the KVM switch.
9. Power up the first computer/device and wait for it to fully boot and test keyboard/mouse functionality.

Driver Installation

No driver installation is required for the KVM switch, as the keyboard/mouse use USB drivers that are already installed on any operating system that fully supports USB.

Operation

Port Selection Buttons

The Front Panel buttons allow direct control over KVM switch operation and channel switching. Simply press the PC button for PC port switching. If binding is enabled between PC / USB hub port control / Audio and Mic switching, they will be jointly selected at the same time). If you wish to enable the binding of PC / Hub Port control / Audio and Mic switching, see “Hotkeys” section.

Port Selection LEDs

The green ‘PC’ LED indicates the currently selected computer that has keyboard and mouse, audio and video access. The red ‘HUB’ LED indicates the currently selected computer that has access to the USB hub ports.

Hotkey Control

A Hotkey command is a short keyboard sequence for selecting a computer, activating computer scan, etc. A hotkey sequence starts with two left <ScrLk> (Scroll Lock) keystrokes (successively within 2 seconds) followed by one or two more keystrokes. A built-in tone generator creates a high-pitch beep for correct hotkey command; otherwise, errors and bad key sequences will not be forwarded to the currently selected computer.

The two preceding keystrokes can be changed if desired. Press <ScrLk> + <ScrLk> + <H>, which will be followed by two beeps indicating readiness for selection of a new preceding sequence, or press and hold down the last front-panel button (Button 2 on SV231DDUSB, Button 4 on SV431DDUSB) until you hear two beeps, then release the button.

Select and press the key you would like to use as your preceding sequence (Scroll Lock, Caps Lock, ESC, F12 or Num Lock) and you’ll hear a beep for confirmation. The new preceding sequence can now be used to execute hotkey commands.

Hotkey Reference Chart

Command	Hotkey Sequence	Description
Select Active Computer	<ScrLk>+<ScrLk>+<x> (<x> = Port Number: 1, 2, etc.)	Selects which port has access to the keyboard/mouse/monitor.
Select Audio/Mic output	<ScrLk>+<ScrLk>+<Fy> (<Fy> = Function key: F5=Port 1, F6=Port 2, etc.)	Selects which port's speaker and microphone output is active at the console.
Bind computer and Audio/ Mic control (default)	<ScrLk>+<ScrLk>+<Q>	When either the "select active computer" or "select audio/mic output" commands are executed, both functions are
Unbind computer and Audio/Mic output control	<ScrLk>+<ScrLk>+<W>	Computer control and Audio/Mic output control can be assigned to different ports at the same time.
Select next/previous port	<ScrLk>+<ScrLk>+<▲> or<▼>	Selects the next (up arrow key) or previous (down arrow key) numbered port for control.
Select previous port	<ScrLk> + <ScrLk> + <BackSpace>	Selects the most recent previously active port
Beep sound on/off	<ScrLk>+<ScrLk>+	Enables/disables audible responses from the KVM.
Define new hotkey sequence	<ScrLk>+<ScrLk>+<H>+<y> (<y>= Scroll Lock, Caps Lock, ESC, F12 or Num Lock)	Change the standard <ScrLk> hotkey to a new value (see "Hotkey Control" for more info).

Auto-scan	<ScrLk>+<ScrLk>+<S>	Automatically cycle through active ports in sequence every 10 seconds.
Auto-scan with programmable delay	<ScrLk>+<ScrLk>+<S>+<z> (<z>= 0~9: where 1=10sec, 2=20sec...9=90sec, 0=100sec)	Auto-scan with a custom set delay time.
Stop Auto-scan	Press any key on keyboard	Terminate Auto-scan activity.

Specifications

	SV231DDUSB	SV431DDUSB
Number of Ports	2	4
Console Connectors	1 x 29-pin DVI-I female 1 x DE-15 VGA female 4 x USB type A female 2 x 3.5mm Audio Mini-Jack female	
Computer Connectors (per port)	1 x 29-pin DVI-I female 2 x DE-15 VGA female 1 x USB type B female 2 x 3.5mm Audio Mini-Jack female	
LEDs	2 x Computer Control 2 x USB Hub Selection	4 x Computer Control 4 x USB Hub Selection
Switching Modes	Keyboard Hotkeys, Front Panel Push Buttons	
Maximum Video Resolution	VGA: 2048x1536 DVI: 1920x1200	
DDC Support	Yes	
Audio Support	Yes (speaker/MIC)	
On Screen Display	No	
Cascadable	No	
Power Adapter	9V DC, 1700mA, center positive	
Enclosure Material	Metal	
Dimension	163.0mm x 100.0mm x 66.0mm	253.0mm x 100.0mm x 66.0mm
Weight	730g	1100g

Technical Support

StarTech.com's lifetime technical support is an integral part of our commitment to provide industry-leading solutions. If you ever need help with your product, visit www.startech.com/support and access our comprehensive selection of online tools, documentation, and downloads.

For the latest drivers/software, please visit www.startech.com/downloads

Warranty Information

This product is backed by a two year warranty.

In addition, StarTech.com warrants its products against defects in materials and workmanship for the periods noted, following the initial date of purchase. During this period, the products may be returned for repair, or replacement with equivalent products at our discretion. The warranty covers parts and labor costs only. StarTech.com does not warrant its products from defects or damages arising from misuse, abuse, alteration, or normal wear and tear.

Limitation of Liability

In no event shall the liability of StarTech.com Ltd. and StarTech.com USA LLP (or their officers, directors, employees or agents) for any damages (whether direct or indirect, special, punitive, incidental, consequential, or otherwise), loss of profits, loss of business, or any pecuniary loss, arising out of or related to the use of the product exceed the actual price paid for the product. Some states do not allow the exclusion or limitation of incidental or consequential damages. If such laws apply, the limitations or exclusions contained in this statement may not apply to you.

Hard-to-find made easy. At StarTech.com, that isn't a slogan. It's a promise.

StarTech.com is your one-stop source for every connectivity part you need. From the latest technology to legacy products — and all the parts that bridge the old and new — we can help you find the parts that connect your solutions.

We make it easy to locate the parts, and we quickly deliver them wherever they need to go. Just talk to one of our tech advisors or visit our website. You'll be connected to the products you need in no time.

Visit www.startech.com for complete information on all StarTech.com products and to access exclusive resources and time-saving tools.

StarTech.com is an ISO 9001 Registered manufacturer of connectivity and technology parts. StarTech.com was founded in 1985 and has operations in the United States, Canada, the United Kingdom and Taiwan servicing a worldwide market.