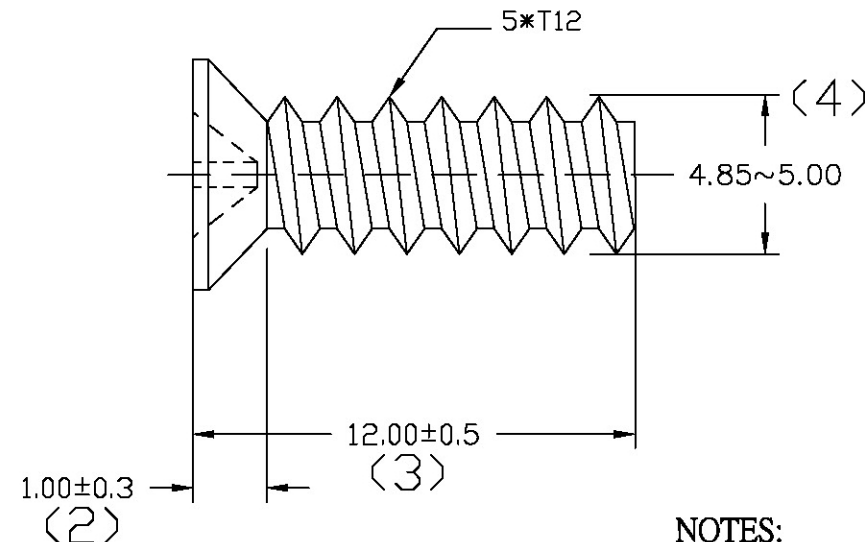
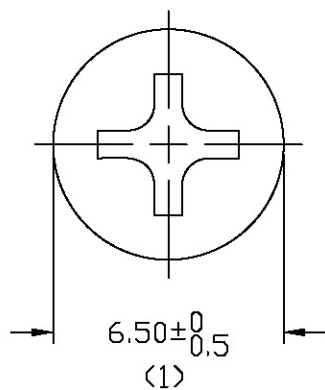


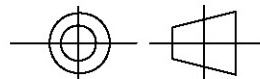
REV: A

FILE NO.:



NOTES:
 1.FINISH:Ni
 2.TORSIBILITY:12kgf.cm(above)
 3.DRIVER:#2

PROJECTION



StarTech.com

DR.: Li Xi	UNIT: m m	REV: A	DWG NO.:
CHK. :	SCALE: FREE	PART#: 12FANSCREW	
A P P.:	DATE:2010.01.13	MATERIAL: SAE 1018	