

2CF2SATA

Instruction Manual

SATA or USB to CompactFlash Adapter

**2.5" SATA or USB to Dual
CompactFlash SSD Adapter
with RAID**

StarTech.com 
Making hard-to-find easy!®

FCC Compliance Statement

This equipment has been tested and found to comply with the limits for a Class B digital device, pursuant to part 15 of the FCC Rules. These limits are designed to provide reasonable protection against harmful interference in a residential installation. This equipment generates, uses and can radiate radio frequency energy and, if not installed and used in accordance with the instructions, may cause harmful interference to radio communications. However, there is no guarantee that interference will not occur in a particular installation. If this equipment does cause harmful interference to radio or television reception, which can be determined by turning the equipment off and on, the user is encouraged to try to correct the interference by one or more of the following measures:

- Reorient or relocate the receiving antenna.
- Increase the separation between the equipment and receiver.
- Connect the equipment into an outlet on a circuit different from that to which the receiver is connected.
- Consult the dealer or an experienced radio/TV technician for help.

Use of Trademarks, Registered Trademarks, and other Protected Names and Symbols

This manual may make reference to trademarks, registered trademarks, and other protected names and/or symbols of third-party companies not related in any way to StarTech.com. Where they occur these references are for illustrative purposes only and do not represent an endorsement of a product or service by StarTech.com, or an endorsement of the product(s) to which this manual applies by the third-party company in question. Regardless of any direct acknowledgement elsewhere in the body of this document, StarTech.com hereby acknowledges that all trademarks, registered trademarks, service marks, and other protected names and/or symbols contained in this manual and related documents are the property of their respective holders.

Table of Contents

Introduction	1
Packaging Contents.....	1
System Requirements	1
Installation.....	2
Top View	2
Bottom View.....	2
Mode Switch.....	3
LED Behaviour	3
Hardware Installation.....	4
Driver Installation.....	4
Software Installation	4
Troubleshooting	5
Specifications.....	6
Technical Support.....	7
Warranty Information	7

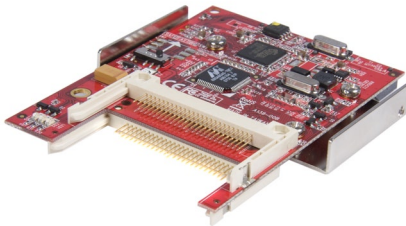
Introduction

Packaging Contents

- 1 x 2CF2SATAR adapter
- 1 x 2.5" HDD Mounting Bracket (attached to adapter)
- 1 x Mounting Screw
- 1 x USB mini-B to A Cable
- 1 x User Manual
- 1 x Software CD

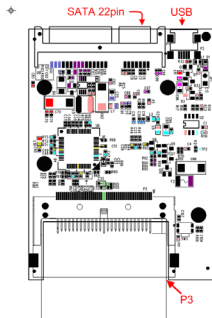
System Requirements

- Available SATA power/data connections for internal use
- Available USB port for external use
- Microsoft Windows® XP/Server 2003/Vista, Mac OS® 10.4.x/10.5.x, or Fedora® Core 6 for the optional RAID utility

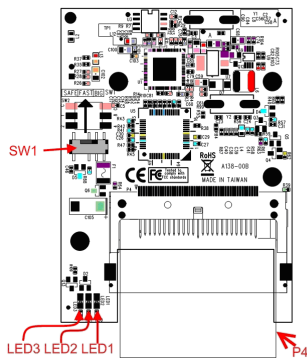


Installation

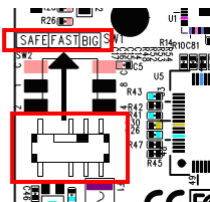
Top View



Bottom View



Mode Switch



SAFE FAST BIG



LED Behaviour

LED1 (Ready)

Description	Indicator
Board Ready	ON
Board Fail	OFF

LED2 (Activity)

Description	Indicator
Unplugged	OFF
Idle	OFF
Accessing	Flashing
Rebuilding	ON
Rebuild-Verify	Flashing
Error	OFF

LED3 (Alarm)

Description	Indicator
RAID1 Failure/Disk Unavailable	ON*
No Errors	OFF

* remains on until a rebuild is started, or turned off by host application

Hardware Installation

1. Plug the CompactFlash cards into slots P3 and P4.
2. Connect USB cable from the mini USB connector on the adapter to the computer.
3. Check if the total size of the CF memory cards are correct.
4. Safely remove from the computer, then set the slide switch (SW1) to the desired RAID mode (Default is BIG mode).
5. If using internally or with an HDD enclosure, disconnect the USB cable and install the adapter board inside the computer system or enclosure as per any standard 2.5" HDD.
Optionally, the 2.5" HDD mounting bracket can be removed from the adapter for any custom mounting applications.
6. Connect the SATA data and power connectors.
7. Repeat Step 1 to Step 6 when installing new CF cards.

Driver Installation

No driver installation is required for the 2CF2SATAR adapter, as it is natively supported as a standard SATA hard disk drive or USB Mass Storage Device.

Software Installation

Install the Configuration Manager Utility to monitor the RAID status and activities of the disks. You can find the Configuration Manager Utility 57xxSteelVineManager.zip and Configuration Manager Manuals Sil57XX_Users_Guide.pdf on the enclosed Driver CD at \DiskArray\ eSATA_SATAx2 \Sil57xx. You can also download these from the StarTech.com website (www.startech.com).

Troubleshooting

Q1. Cannot access the disk after computer resumes from standby.

A1. Unplug the SATA or USB connection and then plug in again.

Q2. Configuration Manager Utility shows Raid failure.

A2-1. RAID1 Mode:

Change the failed CF card (Device 0 means CF on P3, Device 1 means CF on P4) and the adapter will automatically rebuild the Raid1 array.

A2-2. RAID0 Mode:

Switch the slide switch (SW1) to RAID1 mode, install CF cards (Device 0 means CF on the P3, Device 1 means CF on P4), connect the USB cable from the mini USB connector to USB port on computer, then switch the slide switch (SW1) to RAID0 mode, disconnect USB cable.

A2-3. BIG Mode:

Switch the slide switch (SW1) to RAID1 mode, install CF cards (Device 0 means CF on the P3, Device 1 means CF on P4), connect the USB cable from the mini USB connector to USB port on computer, then switch the slide switch (SW1) to BIG mode, disconnect USB cable.

Specifications

Bus Interface	SATA 3Gbps USB 2.0
Maximum Data Transfer Rate	SATA: 3 Gbps USB: 480 Mbps
Connectors	SATA 7+15 USB mini-B
LED Indicators	Ready, Activity, Alarm
Supported Disk Modes	RAID0, RAID1, Concatenation
CompactFlash Compatibility	CF type I and II, 2TB (maximum capacity)

Technical Support

StarTech.com's lifetime technical support is an integral part of our commitment to provide industry-leading solutions. If you ever need help with your product, visit www.startech.com/support and access our comprehensive selection of online tools, documentation, and downloads.

Warranty Information

This product is backed by a one year warranty.

In addition, StarTech.com warrants its products against defects in materials and workmanship for the periods noted, following the initial date of purchase. During this period, the products may be returned for repair, or replacement with equivalent products at our discretion. The warranty covers parts and labor costs only. StarTech.com does not warrant its products from defects or damages arising from misuse, abuse, alteration, or normal wear and tear.

Limitation of Liability

In no event shall the liability of StarTech.com Ltd. and StarTech.com USA LLP (or their officers, directors, employees or agents) for any damages (whether direct or indirect, special, punitive, incidental, consequential, or otherwise), loss of profits, loss of business, or any pecuniary loss, arising out of or related to the use of the product exceed the actual price paid for the product. Some states do not allow the exclusion or limitation of incidental or consequential damages. If such laws apply, the limitations or exclusions contained in this statement may not apply to you.



StarTech.com has been making “hard-to-find easy” since 1985, providing high quality solutions to a diverse IT and A/V customer base that spans many channels, including government, education and industrial facilities to name just a few. We offer an unmatched selection of computer parts, cables, A/V products, KVM and Server Management solutions, serving a worldwide market through our locations in the United States, Canada, the United Kingdom and Taiwan.

Visit **www.startech.com** today for complete information about all our products and to access exclusive interactive tools such as the Cable Finder, Parts Finder and the KVM Reference Guide.