

42U Adjustable 4 Post Open Frame Server Rack



Actual product may vary from photos

User Manual

SKU#: 4POSTRACK12U

For the latest information and specifications visit
www.startech.com/4POSTRACK12U

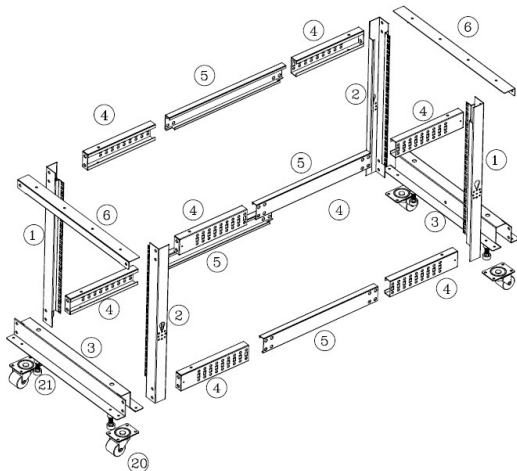
Use of Trademarks, Registered Trademarks, and other Protected Names and Symbols

This manual may make reference to trademarks, registered trademarks, and other protected names and/or symbols of third-party companies not related in any way to StarTech.com. Where they occur these references are for illustrative purposes only and do not represent an endorsement of a product or service by StarTech.com, or an endorsement of the product(s) to which this manual applies by the third-party company in question. Regardless of any direct acknowledgement elsewhere in the body of this document, StarTech.com hereby acknowledges that all trademarks, registered trademarks, service marks, and other protected names and/or symbols contained in this manual and related documents are the property of their respective holders.

Table of Contents

Product Diagram	3
Package Contents.....	4
Installation	9
Installing the Casters	13
Installing the Levelers	14
Installing the Cable Management Hooks.....	15
Grounding the Rack.....	16
Mounting Depth Chart.....	17
Specifications.....	18

Product Diagram



1	<i>Left Vertical Rails (x 2)</i>	5	<i>Center Beams (x 4)</i>
2	<i>Right Vertical Rails (x 2)</i>	6	<i>Top Brackets (x 2)</i>
3	<i>Base Brackets (x 2)</i>	20	<i>Casters (x 4)</i>
4	<i>Corner Beams (x 8)</i>	21	<i>Leveler Feet (x 4)</i>

Package Contents



Left Vertical Rail

Qty: Two



Right Vertical Rail

Qty: Two



Base Bracket

Qty: Two



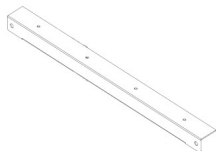
Corner Section

Qty: Eight



Center Section

Qty: Four



Top Bracket

Qty: Two



M8 Bolt

Qty: Forty Eight



M8 Washer

Qty: Forty Eight



M8 (10 mm) Wrench

Qty: One



M8 (13 mm) Wrench

Qty: One



Phillips Head Screwdriver

Qty: One



M6 Cage Nuts

Qty: Twenty Four



PVC Cup Washer

Qty: Twenty Four



M6 Phillips Head Screw

Qty: Twenty Four



Cable Management Hooks

Qty: Four



Hook Mounting Screws

Qty: Four



Casters

Qty: Four



Leveling Feet

Qty: Four



M6 Screws

Qty: Sixteen



M6 Flat Washers

Qty: Sixteen



M6 Flange Nut

Qty: Sixteen



Grounding Wires

Qty: Four



M6 Grounding Wire Bolts

Qty: Four



M6 Grounding Wire Lock Washers

Qty: Four

Installation

1. Align the **Corner Beams** (x 2) with the **Center Beam**, Sliding the **Corner Beams** ovetop of the **Center Beam**. The two **Corner Beams** should be on top of the **Center Beam**.



Align the Corner Beams (x 2) with the Center Beam

2. Slide the **Corner Beams** (x 2), inward along the **Center Beam**, to adjust the mounting depth of the **Rack**.
3. To Adjust the mounting depth align the numbers on the **Center Beam** with the first **Rectangular Cutout** on the **Corner Beams** (x 2). For more mounting depth options see the [Mounting Depth Chart](#).



Aligning the Rectangular Cutout

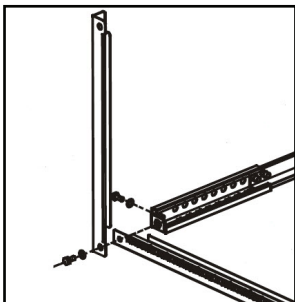
Note If you want to achieve a mounting depth of 34" both of the first Rectangular Cutouts must be aligned with the number 6.

4. When you have the mounting depth set, insert the **M8 Bolt** (x 8) through the **Corner Beams** (four per beam), and into the **Center Beam**.



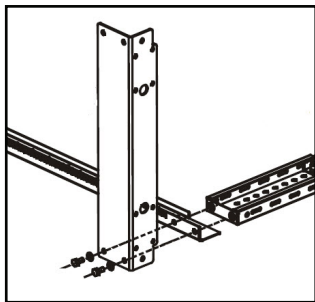
Inserting the M8 Bolt at position 8 and 9

5. On the back on the **Center Beam** align the **M8 Washers** (x 8) with the **M8 Bolt** inserted in step 4.
6. Use the included **Wrenches** to secure the **M8 Washer** while tightening the **M8 Screw**. Tighten all four **M8 Bolt** being careful not to over-tighten.
7. Align the **Left Vertical Rail** with the **Screw Holes** at the end of the **Beam Assemblies** (two **Corner Beams** and one **Center Beam**). The side with the two **Screw Holes** at the end of the **Left Vertical Rail** is the bottom of the **Rack**.
8. Align the **Screw Holes** in the **Top Bracket** with the **Screw Holes** in the **Left Vertical Rail**.



Aligning the Top Bracket with the Vertical Rail

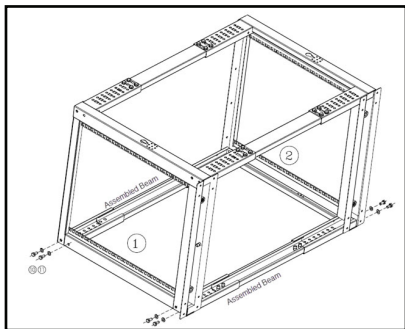
- Align **M8 Washers** (x 2) with the **Screw Holes** on the end and top of the **Top Bracket**.
- Insert an **M8 Bolt** through the end **Screw Hole** and into the **Left Vertical Rail**.
- Insert an **M8 Bolt** through the top **Screw Hole** and into the **Beam Assembly**.
- Using the included **Wrench** tighten the **M8 Bolts** being careful not to over-tighten.
- Align the **Screw Holes** in the **Base Bracket** with the **Screw Holes** in the **Left Vertical Rail**.



Aligning the Base Bracket with the Vertical Rail

- Align **M8 Washers** (x 2) with the **Screw Holes** on the end and top of the **Base Bracket**.
- Insert two **M8 Bolts** through the end **Screw Holes** and into the **Left Vertical Rail**.

16. Using the included **Wrench** tighten the **M8 Bolts** being careful not to over-tighten.
17. Align the **Screw Holes** in the **Base Bracket** with the **Screw Holes** in the **Left Vertical Rail**.
18. Repeat steps 7 - 17 to install the **Right Vertical Bracket, Top, and Base Brackets**.
19. When you have one side assembled repeat steps 7 - 17 to assemble the other side of the **Rack**.



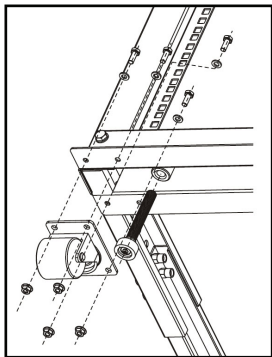
Assembled Rack

Installing the Casters

1. Make sure that the **Rack** is positioned on its side.

Note: *Two people are required for repositioning the Rack.*

2. Align the **Mounting Holes** on the **Casters** with the **Caster Mounting Holes** on the bottom of the **Rack**.
3. Insert the **M6 Screws** (x 4) through the **Flat Washers** (x 4).
4. Insert the **M6 Screws** and **Flat Washers** through the **Rack** and **Caster** and into the **M6 Flange Nut**.



Installing the Casters

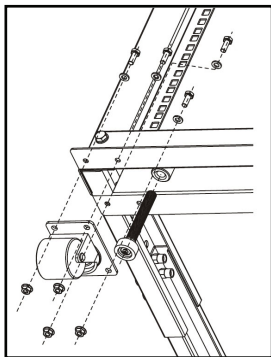
5. Use the **Phillips Head Screwdriver** (included) to tighten the **M6 Screws**.

Installing the Levelers

1. Make sure that the **Rack** is positioned on its side.

Note: *Two people are required for repositioning the Rack.*

2. Align the **Levelers** (x 4) with the **Leveler Mounting Holes** on the bottom of the **Rack**.

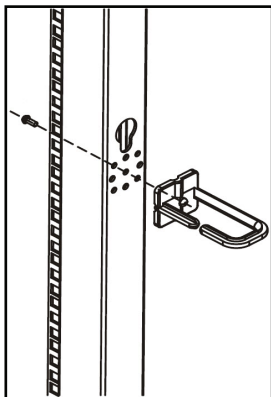


Installing the Levelers

3. Insert the **Levelers** into the **Leveler Mounting Holes**. Tighten the all four **Levelers** to the same height so that the **Rack** is level.

Installing the Cable Management Hooks

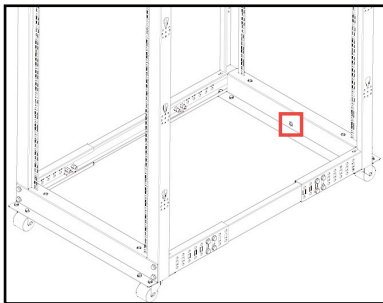
1. Align the **Cable Management Hooks** with the **Cable Management Screw Holes** along the back of the **Rack**.
2. Insert a **Hook Management Screw** through the **Rack** and into the **Cable Management Hook**.
3. Using the **Phillips Head Screwdriver**, tighten the **Hook Management Screw** being careful not to over-tighten.



Installing the Cable Management Hooks

Grounding the Rack

1. Insert an **M6 Screw** through the **Grounding Point** on the **Grounding Wire** and into the **Ground Hole** located on the bottom of the **Rack**.



Grounding the Rack

2. Run the **Grounding Wire** under the **Rack's Frame**.
3. Connect the **Grounding Wire** to an earth ground connection.

Mounting Depth Chart

Mounting Depth	Numbers	Mounting Depth	Numbers
22 in.	0 and 0	32 in.	5 and 5
23 in.	1 and 0	33 in.	5 and 6
24 in.	1 and 1	34 in.	6 and 6
25 in.	1 and 2	35 in.	6 and 7
26 in.	2 and 2	36 in.	7 and 7
27 in.	2 and 3	37 in.	7 and 8
28 in.	3 and 3	38 in.	8 and 8
29 in.	3 and 4	39 in.	8 and 9
30 in.	4 and 4	40 in.	9 and 9
31 in.	4 and 5		

Specifications

U Height	12U
Material	Steel
Rack Type	4-Post
Frame Type	Open Frame
Colour	Black
Minimum Mounting Depth	22in (558.8 mm)
Maximum Mounting Depth	40in (1016 mm)
Dimensions (WxHxD)	23.6x25.1x26.06 in. (600x637.5 x662 mm)
Weight	37.48 lb. (17 kg)

Warranty Information

This product is backed by a two-year warranty.

For further information on product warranty terms and conditions, please refer to www.startech.com/warranty.

Limitation of Liability

In no event shall the liability of StarTech.com Ltd. and StarTech.com USA LLP (or their officers, directors, employees or agents) for any damages (whether direct or indirect, special, punitive, incidental, consequential, or otherwise), loss of profits, loss of business, or any pecuniary loss, arising out of or related to the use of the product exceed the actual price paid for the product.

Some states do not allow the exclusion or limitation of incidental or consequential damages. If such laws apply, the limitations or exclusions contained in this statement may not apply to you.

Hard-to-find made easy. At StarTech.com, that isn't a slogan. It's a promise.

StarTech.com is your one-stop source for every connectivity part you need. From the latest technology to legacy products — and all the parts that bridge the old and new — we can help you find the parts that connect your solutions.

We make it easy to locate the parts, and we quickly deliver them wherever they need to go. Just talk to one of our tech advisors or visit our website. You'll be connected to the products you need in no time.

Visit www.startech.com for complete information on all StarTech.com products and to access exclusive resources and time-saving tools.

StarTech.com is an ISO 9001 Registered manufacturer of connectivity and technology parts. StarTech.com was founded in 1985 and has operations in the United States, Canada, the United Kingdom and Taiwan servicing a worldwide market.

Reviews

Share your experiences using StarTech.com products, including product applications and setup, what you love about the products, and areas for improvement.

StarTech.com Ltd.

45 Artisans Cres.
London, Ontario
N5V 5E9
Canada

FR: startech.com/fr
DE: startech.com/de

StarTech.com LLP

2500 Creekside Pkwy.
Lockbourne, Ohio
43137
U.S.A.

ES: startech.com/es
NL: startech.com/nl

StarTech.com Ltd.

Unit B, Pinnacle
15 Gowerton Rd.,
Brackmills
Northampton
NN4 7BW
United Kingdom

IT: startech.com/it
JP: startech.com/jp