

42U Adjustable 4 Post Open Frame Server Rack

4POSTRACK42



*actual product may vary from photos

DE: Bedienungsanleitung - de.startech.com

FR: Guide de l'utilisateur - fr.startech.com

ES: Guía del usuario - es.startech.com

IT: Guida per l'uso - it.startech.com

NL: Gebruiksaanwijzing - nl.startech.com

PT: Guia do usuário - pt.startech.com

For the most up-to-date information, please visit: www.startech.com

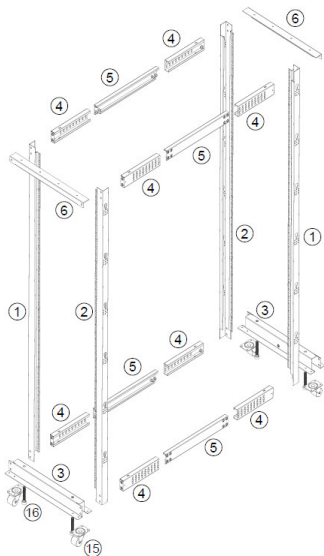
Use of Trademarks, Registered Trademarks, and other Protected Names and Symbols

This manual may make reference to trademarks, registered trademarks, and other protected names and/or symbols of third-party companies not related in any way to StarTech.com. Where they occur these references are for illustrative purposes only and do not represent an endorsement of a product or service by StarTech.com, or an endorsement of the product(s) to which this manual applies by the third-party company in question. Regardless of any direct acknowledgement elsewhere in the body of this document, StarTech.com hereby acknowledges that all trademarks, registered trademarks, service marks, and other protected names and/or symbols contained in this manual and related documents are the property of their respective holders.

Table of Contents

| | |
|---------------------------------------|-----------|
| Product Diagram | 1 |
| Package Contents | 2 |
| Installation | 6 |
| Optional Component Installation | 8 |
| Grounding the Rack | 9 |
| Specifications | 10 |
| Technical Support | 11 |
| Warranty Information | 11 |

Product Diagram



| ID | Name | Qty |
|------------------------|---------------------|-----|
| Rack Components | | |
| 1 | Left Vertical Rail | 2 |
| 2 | Right Vertical Rail | 2 |
| 3 | Base Bracket | 2 |
| 4 | Corner Section | 8 |
| 5 | Center Section | 4 |
| 6 | Top Bracket | 2 |
| 15 | Leveler Feet | 4 |
| 16 | Casters | 4 |

Package Contents



Left Vertical Rail
Qty: Two



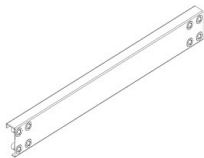
Right Vertical Rail
Qty: Two



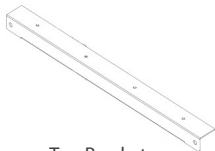
Base Bracket
Qty: Two



Corner Section
Qty: Eight



Center Section
Qty: Four



Top Bracket
Qty: Two



M8 Bolt
Qty: Fifty



M8 Washer
Qty: Five



M8 (10 mm) Wrench
Qty: One



M8 (13 mm) Wrench
Qty: One



Phillips Head Screwdriver
Qty: One



M6 Cage Nuts
Qty: Fifty



PVC Cup Washer

Qty: Fifty



M6 Phillips Head Screw

Qty: Fifty



Cable Management Hooks

Qty: Twenty Four



Hook Mounting Screws

Qty: Twenty Four



Casters

Qty: Four



Leveling Feet

Qty: Four



M6 Screws
Qty: Sixteen



M6 Flat Washers
Qty: Sixteen



M6 Flange Nut
Qty: Sixteen



Grounding Wires
Qty: Four



M6 Grounding Wire Bolts
Qty: Four



M6 Grounding Wire Lock Washers
Qty: Four

Installation

Verify packaging contents before proceeding with assembly.

1. Assemble the Top and Bottom Beams (4 total) using the M8 Bolt and M8 Washers, as shown below, adjusting for your desired mounting depth using the numbers indicated on the center section pieces (see chart below)

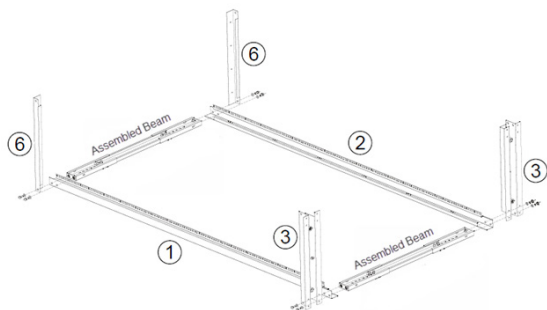


| Mounting Depth | Index Numbers | Mounting Depth | Index Numbers |
|----------------|---------------|----------------|---------------|
| 22 in. | 0 and 0 | 31 in. | 4 and 5 |
| 23 in. | 1 and 0 | 32 in. | 5 and 5 |
| 24 in. | 1 and 1 | 33 in. | 5 and 6 |
| 25 in. | 1 and 2 | 34 in. | 6 and 6 |
| 26 in. | 2 and 2 | 35 in. | 6 and 7 |
| 27 in. | 2 and 3 | 36 in. | 7 and 7 |
| 28 in. | 3 and 3 | 37 in. | 7 and 8 |
| 29 in. | 3 and 4 | 38 in. | 8 and 8 |
| 30 in. | 4 and 4 | 39 in. | 8 and 9 |
| | | 40 in. | 9 and 9 |

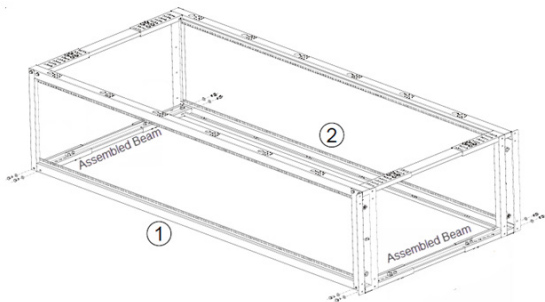
NOTE: Depth from 22 to 40 inches is available by adjusting the beams at corresponding silkscreen numbers on the beams.

- Using two of the Beams assembled in the previous step, line up one set of Left and Right Vertical Rails, followed by the Base and Top Bracket pieces and fasten using the M8 Bolt and M8 Washers shown below.

NOTE: In order to ensure all of the screw holes will line up easily, it is recommended to hand-tighten the nuts through the entire assembly process, and then fully tighten once all bolts have been inserted.

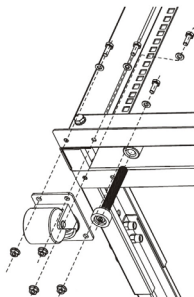


- Using the remaining two Beams assembled in step 1, line up the other set of Left and Right Vertical Rails and fasten them to the Base and Top Brackets as shown.

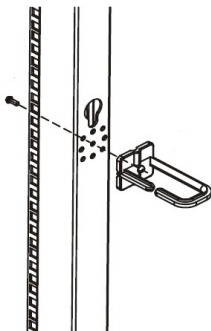


Optional Component Installation

1. Install the Casters (4pcs) by insert and M6 Screw and Flat Washer through the rack and Caster and into the M6 Flange Nut. Use the and Leveling Feet (4pcs) as shown.



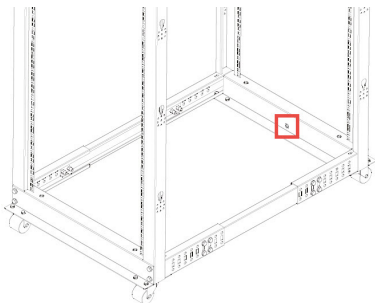
2. Stand the rack upright.
3. Using the Hook Management Screws install the included Cable Management Hooks in your desired locations as shown.



WARNING! Please ensure that the rack is fully assembled with all included parts and fasteners before attempting to mount any rack equipment. Failure to install and fully tighten any hardware could severely compromise the structural integrity of the rack. If any hardware is missing, please contact StarTech.com customer service immediately.

Grounding the Rack

1. Insert an M6 Screw through the grounding point on the Grounding Wire and into the Ground Hole located on the bottom of the Rack.



2. Run the Grounding Wire under the Rack's Frame.
3. Connect the Grounding Wire to an earth ground connection.

Specifications

| | |
|-------------------------------|--|
| U Height | 42U |
| Material | Steel |
| Rack Type | 4-Post |
| Frame Type | Open Frame |
| Colour | Black |
| Minimum Mounting Depth | 22in (558.8mm) |
| Maximum Mounting Depth | 40in (1016mm) |
| Dimensions (WxHxD) | 23.6 x 80.5 x 26in (600x 2045 x 662mm) |
| Weight | 84.9lbs (38.5kg) |

Technical Support

StarTech.com's lifetime technical support is an integral part of our commitment to provide industry-leading solutions. If you ever need help with your product, visit www.startech.com/support and access our comprehensive selection of online tools, documentation, and downloads.

For the latest drivers/software, please visit www.startech.com/downloads

Warranty Information

This product is backed by a two year warranty.

In addition, StarTech.com warrants its products against defects in materials and workmanship for the periods noted, following the initial date of purchase. During this period, the products may be returned for repair, or replacement with equivalent products at our discretion. The warranty covers parts and labor costs only. StarTech.com does not warrant its products from defects or damages arising from misuse, abuse, alteration, or normal wear and tear.

Limitation of Liability

In no event shall the liability of StarTech.com Ltd. and StarTech.com USA LLP (or their officers, directors, employees or agents) for any damages (whether direct or indirect, special, punitive, incidental, consequential, or otherwise), loss of profits, loss of business, or any pecuniary loss, arising out of or related to the use of the product exceed the actual price paid for the product. Some states do not allow the exclusion or limitation of incidental or consequential damages. If such laws apply, the limitations or exclusions contained in this statement may not apply to you.

Hard-to-find made easy. At StarTech.com, that isn't a slogan. It's a promise.

StarTech.com is your one-stop source for every connectivity part you need. From the latest technology to legacy products — and all the parts that bridge the old and new — we can help you find the parts that connect your solutions.

We make it easy to locate the parts, and we quickly deliver them wherever they need to go. Just talk to one of our tech advisors or visit our website. You'll be connected to the products you need in no time.

Visit www.startech.com for complete information on all StarTech.com products and to access exclusive resources and time-saving tools.

StarTech.com is an ISO 9001 Registered manufacturer of connectivity and technology parts. StarTech.com was founded in 1985 and has operations in the United States, Canada, the United Kingdom and Taiwan servicing a worldwide market.