

12U 4 Post Server Equipment Open Rack Cabinet /w Casters

4POSTRACK12A

DE: Bedienungsanleitung - de.startech.com

FR: Guide de l'utilisateur - fr.startech.com

ES: Guía del usuario - es.startech.com

IT: Guida per l'uso - it.startech.com

NL: Gebruiksaanwijzing - nl.startech.com

PT: Guia do usuário - pt.startech.com

Packaging Contents

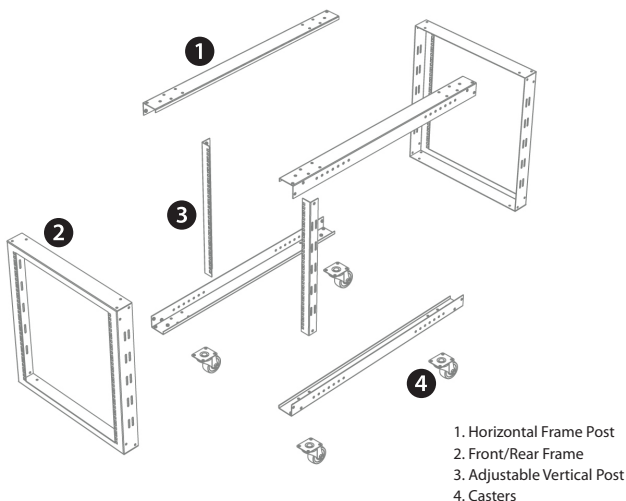
- 2 x Front/Rear Frame
- 4 x Horizontal Frame Posts
- 2 x Adjustable Vertical Post
- 52 x Hex bolt and Washer
- 16 x KEP nut
- 16 x M6 Cage Nut and Cabinet Screw
- 4 x Swivel Caster

Tools Required

- Adjustable wrench

Installation

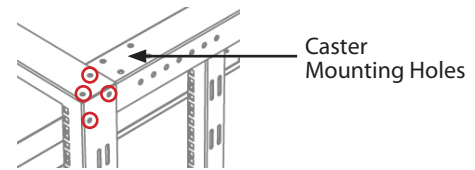
Verify packaging contents before proceeding with assembly.



1. Stand the Front Frame piece upright so that the square holes run from top to bottom (the Front Frame piece is labeled with the StarTech.com logo in the top corner).
2. Place one of the Horizontal Frame Posts along the top inside corner of the Front Frame piece with the Caster mounting holes facing upwards, and line up the screw holes of the Front Frame with the holes of the Horizontal Frame Post.

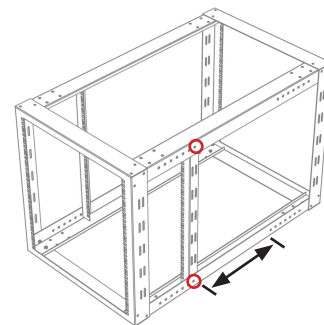
3. Fasten the two pieces together by threading the provided hex bolts (4), with washers (4) into the pre-welded nuts from the outside of the frame.

NOTE: In order to ensure all of the screw holes will line up easily, it is recommended to hand-tighten the nuts through the entire assembly process, and then tighten using an adjustable wrench once all bolts have been inserted.



4. Set up the Rear Frame piece at the other end of the Horizontal Frame Post and fasten by threading the provided hex bolts (4) with washers (4) into the pre-welded nuts from the outside of the frame.
5. Repeat step 2-4 to attach the remaining Horizontal Frame Posts to the remaining 3 corners, turning the rack over to attach the bottom Horizontal Frame Posts.
6. The 2 Adjustable Vertical Posts can now be attached to the top and bottom Horizontal Frame Posts. The mounting depth of the vertical posts can be adjusted in 1" increments. Ensure both posts are installed at the same positions.

NOTE: There is a 15" section in the center of the Horizontal Frame Posts where the Adjustable Vertical Posts cannot be attached (marked in the diagram). They can be mounted up to 11" from the front or rear of the rack.



7. On the bottom two horizontal frame posts there will be 4 holes located at both ends. The casters can be fitted here and fastened using the supplied Hex bolts and KEP nuts.
8. To mount rack-mountable equipment into the rack, determine the appropriate height on the rack and match with the mounting points on your equipment mounting brackets.
9. Place the square cage nuts into the appropriate square mounting holes (from the inside).
10. Mount your equipment into the rack and fasten to the cage nuts with the appropriate cabinet screws.

WARNING! Please ensure that the rack is fully assembled with all included parts and fasteners before attempting to mount any rack equipment. Failure to install and fully tighten any hardware could severely compromise the structural integrity of the rack. If any hardware is missing, please contact StarTech.com customer service immediately.



*actual product may vary from photos

Specifications

| | |
|--------------------------------|-------------------------------------------------------------------------------|
| Description | 12U 4-Post Open Frame Server Equipment Rack with Adjustable Posts and Casters |
| Internal Height | 12U |
| Material | SPCC (2.0mm) |
| Colour | Black |
| Maximum Weight Capacity | 270kg (600lbs) |
| Dimensions (WxHxD) | 534.0mm x 658.0mm x 913.0mm |
| Net Weight | 8kg (17.68lbs) |
| Standard | EIA-310C |
| Certifications | UL, CE, RoHS |

FCC Compliance Statement

This equipment has been tested and found to comply with the limits for a Class B digital device, pursuant to part 15 of the FCC Rules. These limits are designed to provide reasonable protection against harmful interference in a residential installation. This equipment generates, uses and can radiate radio frequency energy and, if not installed and used in accordance with the instructions, may cause harmful interference to radio communications. However, there is no guarantee that interference will not occur in a particular installation. If this equipment does cause harmful interference to radio or television reception, which can be determined by turning the equipment off and on, the user is encouraged to try to correct the interference by one or more of the following measures:

- Reorient or relocate the receiving antenna.
- Increase the separation between the equipment and receiver.
- Connect the equipment into an outlet on a circuit different from that to which the receiver is connected.
- Consult the dealer or an experienced radio/TV technician for help.

Use of Trademarks, Registered Trademarks, and other Protected Names and Symbols

This manual may make reference to trademarks, registered trademarks, and other protected names and/or symbols of third-party companies not related in any way to StarTech.com. Where they occur these references are for illustrative purposes only and do not represent an endorsement of a product or service by StarTech.com, or an endorsement of the product(s) to which this manual applies by the third-party company in question. Regardless of any direct acknowledgement elsewhere in the body of this document, StarTech.com hereby acknowledges that all trademarks, registered trademarks, service marks, and other protected names and/or symbols contained in this manual and related documents are the property of their respective holders.

Technical Support

StarTech.com's lifetime technical support is an integral part of our commitment to provide industry-leading solutions. If you ever need help with your product, visit www.startech.com/support and access our comprehensive selection of online tools, documentation, and downloads.

For the latest drivers/software, please visit www.startech.com/downloads

Warranty Information

This product is backed by a one year warranty.

In addition, StarTech.com warrants its products against defects in materials and workmanship for the periods noted, following the initial date of purchase. During this period, the products may be returned for repair, or replacement with equivalent products at our discretion. The warranty covers parts and labor costs only. StarTech.com does not warrant its products from defects or damages arising from misuse, abuse, alteration, or normal wear and tear.

Limitation of Liability

In no event shall the liability of StarTech.com Ltd. and StarTech.com USA LLP (or their officers, directors, employees or agents) for any damages (whether direct or indirect, special, punitive, incidental, consequential, or otherwise), loss of profits, loss of business, or any pecuniary loss, arising out of or related to the use of the product exceed the actual price paid for the product. Some states do not allow the exclusion or limitation of incidental or consequential damages. If such laws apply, the limitations or exclusions contained in this statement may not apply to you.