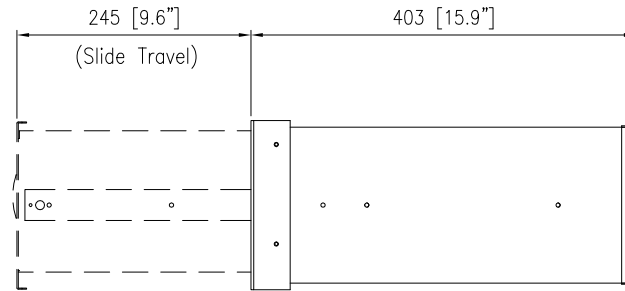
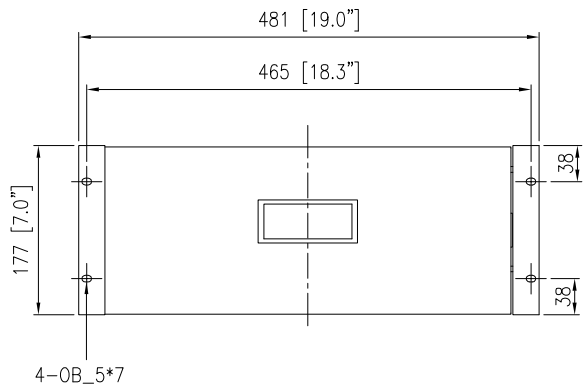
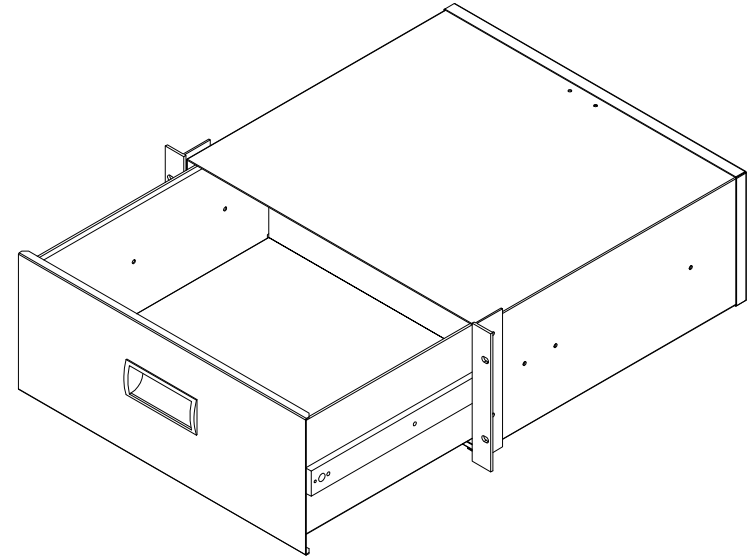
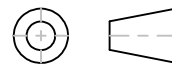


SEC. A-A



THIRD ANGLE PROJECTION



GENERAL NOTES

DIMENSIONS ARE IN MM - DO NOT SCALE
 THIS DOCUMENT CONTAINS CONFIDENTIAL,
 PROPRIETARY INFORMATION THAT IS
 PROPERTY OF STARTECH.COM

StarTech.com

PRODUCT ID	4UDRAWER		
DESCRIPTION	4U Black Steel Storage Drawer for 19in Racks and Cabinets		
DO NOT SCALE	SHEET: 1 OF: 1	UPLOAD DATE: 08/25/2020	