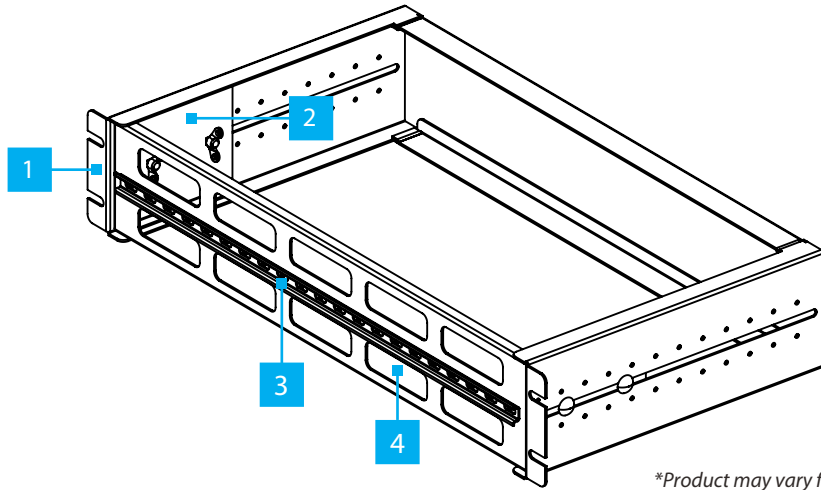


2U Adjustable DIN Rail Rack Mount Kit

Product Diagram

ADJDINKIT



Component	Function
1 Rack Mount DIN Rail Bracket	<ul style="list-style-type: none"> Used to fasten the Adjustable DIN Rail onto the Mounting Posts of a Rack
2 Adjustable DIN Rail Mount	<ul style="list-style-type: none"> Loosen the Wing Nuts on either side and slide for Variable Depth Allows for depths of up to 9.3 inches (23.6 cm)
3 DIN Rail	<ul style="list-style-type: none"> Use to securely attach DIN Rail Mountable Devices onto a rack Three types of DIN Rails are included: Top-Hat, Miniature Top-Hat, and G-Type DIN Rail Mounting Screws secure the DIN Rail
4 Cable Management Holes	<ul style="list-style-type: none"> Allow cables to pass through to the various mounted devices

Product Information

For the latest manuals, product information, technical specifications, and declarations of conformance, please visit: www.StarTech.com/ADJDINKIT

How to Identify the LOT Code Revision Number

The Revision Number (Rev #) appears as the fifth and sixth digits of the LOT code, located on the sticker affixed to the product and its packaging. If the LOT code sticker is missing, the product is Rev 01.

Requirements

- Phillips Head Screwdriver

Package Contents

Revision 01	Revision 02 or Above
<ul style="list-style-type: none"> Rack Mount DIN Rail Bracket x1 Adjustable DIN Rail Mount with Top Hat DIN Rail Pre-Installed x 1 Miniature Top-Hat DIN Rail x 1 G-Type Top-Hat DIN Rail x 1 M5 Screws x 4 M5 Cage Nuts x 4 Carriage Bolts x 2 DIN Rail Mounting Screws x 2 Wing Nuts x 2 	<ul style="list-style-type: none"> Rack Mount DIN Rail Bracket x1 Adjustable DIN Rail Mount with Top Hat DIN Rail Pre-Installed x 1 Miniature Top-Hat DIN Rail x 1 G-Type Top-Hat DIN Rail x 1 M5 Screws x 4 M5 Cage Nuts x 4 Carriage Bolts x 4 DIN Rail Mounting Screws x 4 Wing Nuts x 4

Warnings!

Ensure the weight of the equipment does not exceed the weight capacity of this product. If the weight capacity is exceeded, personal injury or damage to the equipment is possible. This product can support the following weight: up to 27 lb (12.5 kg).

Installation

- Determine the **Mounting Depth** according to your application.
- Loosen the **Wing Nuts** (x 4) on either side of the **Adjustable DIN Rail Mount** by hand. Slide the **Adjustable DIN Rail Mount** to match the desired **Mounting Depth**. Tighten the **Wing Nuts** by hand.
- Find a suitable location on the **Rack** to mount the **Rack Mount DIN Rail Bracket**. The **Rack Mount DIN Rail Bracket** requires **2U** of **Mounting Space**.
- Follow the **Rack's Manufacturer Instructions** to install the **M5 Cage Nuts** on the **Mounting Posts**.

Note: M5 Screws and Cage Nuts are provided for convenience. Alternative mounting

hardware may be needed from the Rack's manufacturer.

- Place the **Rack Mount DIN Rail Bracket** into the **Rack** and align it with the **Mounting Posts** of the **Rack**.
- Install the **M5 Screws** (x 4) through the **Rack Mount DIN Rail Bracket**, the **M5 Cage Nuts** and onto the **Mounting Posts** of the **Rack**. Ensure the **M5 Screws** are appropriately tightened using a **Phillips Head Screwdriver** before mounting equipment.
- Mount **DIN Rail Compatible Devices** to the **DIN Rail** according to the instructions of their respective manufacturer.

Switch Between Different Types of DIN Rail

The Adjustable DIN Rail Mount comes pre-installed with the Top-Hat DIN Rail. To switch to a different type of DIN Rail, follow these instructions:

- Using a **Phillips Head Screwdriver** remove the **DIN Rail Mounting Screws** that hold the **DIN Rail** to the **Adjustable DIN Rail Mount**.
- Place the new **DIN Rail** onto the **Adjustable Mount**.

Regulatory Compliance

Use of Trademarks, Registered Trademarks, and other Protected Names and Symbols

This manual may make reference to trademarks, registered trademarks, and other protected names and/or symbols of third-party companies not related in any way to StarTech.com. Where they occur these references are for illustrative purposes only and do not represent an endorsement of a product or service by StarTech.com, or an endorsement of the product(s) to which this manual applies by the third-party company in question. StarTech.com hereby acknowledges that all trademarks, registered trademarks, service marks, and other protected names and/or symbols contained in this manual and related documents are the property of their respective holders. PHILLIPS® is a registered trademark of Phillips Screw Company in the United States or other countries.

Warranty Information

This product is backed by a lifetime warranty.

For further information on product warranty terms and conditions, please refer to www.startech.com/warranty.

Limitation of Liability

In no event shall the liability of StarTech.com Ltd. and StarTech.com USA LLP (or their officers, directors, employees or agents) for any damages (whether direct or indirect, special, punitive, incidental, consequential, or otherwise), loss of profits, loss of business, or any pecuniary loss, arising out of or related to the use of the product exceed the actual price paid for the product. Some states do not allow the exclusion or limitation of incidental or consequential damages. If such laws apply, the limitations or exclusions contained in this statement may not apply to you.

Safety Measures

Assemble this product according to the instructions. Read the entire manual and ensure the instructions are fully understood before assembling and/or using this product.

Mesures de Sécurité

Assemblez ce produit conformément aux instructions. Lisez l'intégralité du manuel et assurez-vous que les instructions sont bien comprises avant d'assembler et/ou d'utiliser ce produit.

Veiligheidsmaatregelen

Monteer dit product volgens de instructies. Lees de gehele handleiding en zorg ervoor dat u de instructies volledig begrijpt voordat u dit product monteert en/of gebruikt.

Säkerhetsåtgärder

Montera produkten enligt instruktionerna. Läs hela manualen och se till att du har förstått instruktionerna innan du monterar och/eller använder produkten.

Sicherheitsmaßnahmen

Bauen Sie dieses Produkt gemäß der Anleitung zusammen. Lesen Sie das gesamte Handbuch und stellen Sie sicher, dass Sie die Anweisungen vollständig verstanden haben, bevor Sie dieses Produkt zusammenbauen und/oder verwenden.

- Insert the **DIN Rail Mounting Screws** through the **DIN Rail**. Secure the **DIN Rail Mounting Screws** using a **Phillips Head Screwdriver**.

安全対策

最初に取扱説明書を最後まで読み、本製品の組み立て方をすべて理解してから組み立て作業を始めて下さい。

Misure di Sicurezza

Leggere l'intero manuale e assicurarsi di aver compreso tutte le istruzioni prima di iniziare ad assemblare e a utilizzare questo prodotto.

Medidas de Seguridad

Monte este producto siguiendo las instrucciones. Lea todo el manual y asegúrese de que las instrucciones se entienden completamente antes de montar y/o utilizar este producto.



www.quefairedemesdechets.fr

StarTech.com Ltd.
45 Artisans Crescent
London, Ontario
N5V 5E9
Canada

StarTech.com LLP
4490 South Hamilton
Road
Groveport, Ohio
43125
U.S.A.

StarTech.com Ltd.
Unit B, Pinnacle 15
Gowerton Road
Brackmills,
Northampton
NN4 7BW
United Kingdom

StarTech.com Ltd.
Siriusdreef 17-27
2132 WT Hoofddorp
The Netherlands

FR: startech.com/fr
DE: startech.com/de
ES: startech.com/es
NL: startech.com/nl
IT: startech.com/it
JP: startech.com/jp