

# Triple-Monitor Stand

ARMBARTRIO



\*actual product may vary from photos

FR: Guide de l'utilisateur - [fr.startech.com](http://fr.startech.com)

DE: Bedienungsanleitung - [de.startech.com](http://de.startech.com)

ES: Guía del usuario - [es.startech.com](http://es.startech.com)

NL: Gebruiksaanwijzing - [nl.startech.com](http://nl.startech.com)

PT: Guia do usuário - [pt.startech.com](http://pt.startech.com)

IT: Guida per l'uso - [it.startech.com](http://it.startech.com)

For the latest information, technical specifications, and support for this product, please visit [www.StarTech.com/ARMBARTRIO](http://www.StarTech.com/ARMBARTRIO).

## **Use of Trademarks, Registered Trademarks, and other Protected Names and Symbols**

PHILLIPS® is a registered trademark of Phillips Screw Company in the United States or other countries.

This manual may make reference to trademarks, registered trademarks, and other protected names and/or symbols of third-party companies not related in any way to StarTech.com. Where they occur these references are for illustrative purposes only and do not represent an endorsement of a product or service by StarTech.com, or an endorsement of the product(s) to which this manual applies by the third-party company in question. Regardless of any direct acknowledgement elsewhere in the body of this document, StarTech.com hereby acknowledges that all trademarks, registered trademarks, service marks, and other protected names and/or symbols contained in this manual and related documents are the property of their respective holders.

## Warning statements

Make sure to assemble this product according to the instructions. Failure to do so might result in personal injury or property damage.

Make sure that the weight of the monitor doesn't exceed the weight capacity of this product. If you exceed the weight capacity, you might experience personal injury or damage to the equipment. This product can support the following weight: 17.6 lb. (8 kg) per monitor mount.

Never operate this product if parts are missing or damaged.

Allowing any part of your component cables to get caught between moveable parts might result in personal injury or damage to your equipment.

## Varningsmeddelanden

Se till att du monterar produkten i enlighet med instruktionerna. Om du inte gör det kan skada på person eller egendom uppstå.

Se till att skärmens vikt inte överstiger produktens viktkapacitet. Om viktkapaciteten överstigs kan skada på person eller utrustning uppstå. Denna produkt har stöd för följande vikter: 8 kg per skärm.

Använd aldrig produkten om delar saknas eller är skadade.

Om någon del av dina komponentkablar fastnar mellan rörliga delar kan skada på person eller utrustning uppstå.

## Avertissements

Assemblez ce produit conformément aux instructions. Si vous ne respectez pas ces instructions, vous risquez de vous blesser ou d'endommager l'équipement.

Vérifiez que le poids du moniteur ne dépasse pas la capacité pondérale du produit. Si vous dépassez la capacité pondérale, vous risquez des blessures corporelles ou des dommages matériels. Ce produit peut supporter 8 kg par 'écran'.

N'utilisez pas ce produit si des pièces sont endommagées ou manquantes.

Si les câbles des composants se coincent entre des parties mobiles, vous risquez des blessures corporelles ou des dommages matériels.

## Warnhinweise

Montieren Sie dieses Produkt gemäß den Anweisungen. Anderenfalls kann dies zu Verletzungen von Personen oder Schäden an Eigentum führen.

Das Gewicht des Monitors darf die zulässige Traglast des Produkts nicht übersteigen. Wenn die Traglast überschritten wird, kann dies zu Verletzungen von Personen oder Schäden an Geräten führen. Dieses Produkt ist für folgendes Gewicht geeignet: 8 kg pro Monitor.

Das Produkt darf nicht bedient werden, wenn Teile fehlen oder beschädigt sind.

Wenn sich Komponentenkabel in beweglichen Teilen verfängen, kann dies zu Verletzungen von Personen oder Schäden an Geräten führen.

## Dichiarazioni di avvertenza

Assemblare il prodotto rispettando le istruzioni. Il mancato rispetto delle istruzioni potrebbe causare danni a persone o proprietà.

Verificare che il peso del monitor non superi la capacità di supporto del prodotto. In caso di superamento della capacità di supporto potrebbero verificarsi danni a persone o apparecchiature. Il prodotto è in grado di supportare i seguenti pesi: 8 kg per monitor.

Non utilizzare il prodotto in presenza di parti mancanti o danneggiate.

L'eventuale intrappolamento dei cavi del componente fra elementi in movimento potrebbe causare danni a persone o apparecchiature.

## Mensagens de aviso

Certifique-se de que monta este produto de acordo com as instruções. O incumprimento pode resultar em ferimentos pessoais ou danos de propriedade.

Certifique-se de que o peso do monitor não excede a capacidade de peso deste produto. Se exceder a capacidade de peso, pode sofrer ferimentos pessoais ou danos no equipamento. Este produto pode suportar o seguinte peso: 8 kg por monitor.

Nunca opere este produto se faltarem peças ou estas estiverem danificadas.

As permitir que qualquer parte dos cabos do seu componente fique preso entre partes móveis, pode resultar em ferimentos pessoais ou danos no seu equipamento.

## Advertencias de uso

Acquiesce de ensamblar este producto según las instrucciones. De lo contrario, pueden producirse lesiones personales o daños de propiedad.

Acquiesce de que el peso del monitor no exceda la capacidad de carga de este producto. Si se excede dicha capacidad se podrían producirse lesiones personales o daños al equipo. Este producto tiene capacidad para el siguiente peso: 8 kg por monitor.

Nunca opere o ponga en funcionamiento este producto si faltan piezas o hay daños en las mismas.

En caso de que los cables de su componente queden atascados en piezas en movimiento se pueden producir lesiones personales o daños en el equipo.

## Waarschuwingen

Zorg dat dit product volgens de instructies in elkaar wordt gezet. Indien dit niet goed gebeurt kan lichamelijk letsel of materiële schade ontstaan.

Zorg dat het gewicht van het scherm de maximale capaciteit van dit product niet overschrijdt. Als u de gewichtscapaciteit overschrijdt, kan persoonlijk letsel of schade aan de apparatuur ontstaan. Dit product ondersteunt het volgende gewicht: 8 kg per monitor.

Gebruik dit product nooit als er onderdelen ontbreken of beschadigd zijn.

Als uw componentkabels tussen bewegende delen vast komen te zitten, kan dit lichamelijk letsel of schade aan de apparatuur veroorzaken.

## 注意

必ず取扱説明書に従って本製品の組み立てを行ってください。取り扱いを誤った場合に、傷害を負う恐れや物的損害が発生する恐れがあります。

取り付けるモニター重量が、本製品で定められた最大積載重量を超えないようにして下さい。最大積載重量をオーバーした場合、傷害を負う恐れやモニターや本製品に損害が発生する恐れがあります。本製品は、モニター1台あたり8kgまで支持できます。

本製品で使用する一部の部品が紛失していたり損傷している状態で使用するのは絶対に止めて下さい。




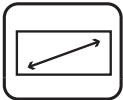
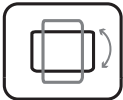

ケーブルの一部が本製品の可動部に引っ掛かってしまった場合、傷害を負う恐れやモニターや本製品に損害が発生する恐れがあります。

# Table of Contents

Warnings .....	i
<b>Introduction .....</b>	<b>1</b>
Product diagram.....	1
Product dimensions .....	1
Technical specifications .....	2
Package contents.....	3
Requirements.....	5
<b>Assembly .....</b>	<b>6</b>
Assemble the lower pole.....	6
Attach the crossbar and VESA monitor mount.....	7
Attach the cable-management clips.....	8
Attach monitors to the VESA monitor mounts.....	9
Adjust the tilt angle of your monitor .....	12
Tipping hazard warning.....	14
Adjust the vertical position of the monitors .....	14
<b>Technical support.....</b>	<b>15</b>
<b>Warranty information .....</b>	<b>15</b>



# Technical specifications

Type of measurement	Measurement
VESA mounting hole pattern 	75x75 100x100
Weight capacity 	Up to 8 kg (17.6 lb.) per monitor mount
Tilt 	+45° to -45°
Screen size 	Between 330 mm and 686 mm (13 in. and 27 in.)
Rotate 	360°
Swivel 	+45° to -45°

# Package contents

1



Baseplate  
Qty: One

2



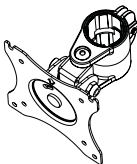
Crossbar  
Qty: One

3



Pole  
Qty: One

4



VESA monitor mount  
Qty: One

5



Cable-management clips  
Qty: Six

6



Cable-management collar  
Qty: One

7



Base collar

Qty: One

8



3 mm hex key

Qty: One

9



5 mm hex key

Qty: One

10



6 mm hex key

Qty: One

11



M4x12 mm screws

Qty: Twelve

12



M5x12 mm screws

Qty: Twelve





# Assembly

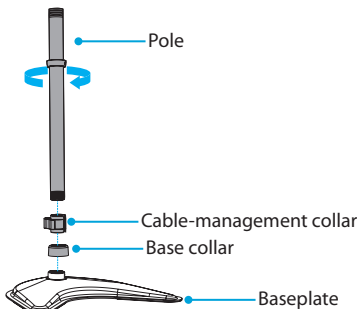
**Warning!** Make sure that the weight of the monitors does not exceed the weight capacity of this product. If you exceed the weight capacity, you might experience personal injury or damage to the product.

This product can support the following weight: Up to 17.6 lb. (8 kg).

## Assemble the lower pole

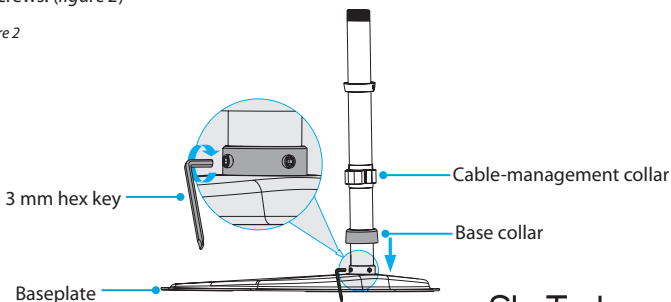
1. Thread the **cable-management collar** onto the **pole**.
2. Thread the **base collar** onto the **pole**.
3. Screw the **pole** into the **baseplate**. (*figure 1*)

*figure 1*



4. Use the **3 mm hex key** to tighten the screws and attach the **pole** to the **baseplate**.
5. Push the **base collar** down so that it sits flush against the **baseplate** and covers the screws. (*figure 2*)

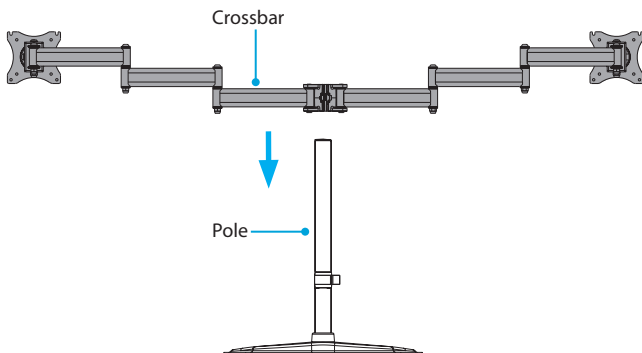
*figure 2*



# Attach the crossbar and VESA monitor mount

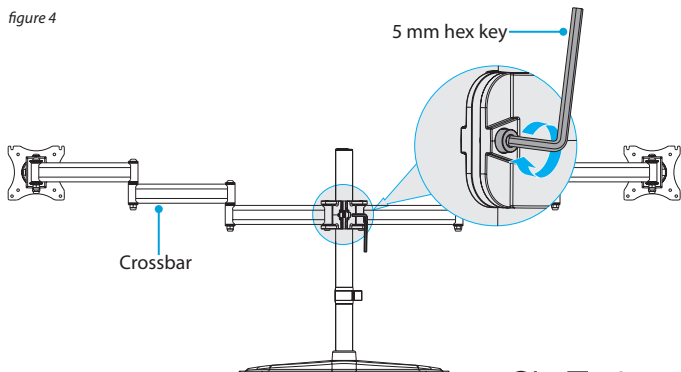
1. Slide the **crossbar** down the **pole** to the desired height. (*figure 3*)

*figure 3*



2. Use the **5 mm hex key** to tighten the screw in the back of the **crossbar**. (*figure 4*)

*figure 4*

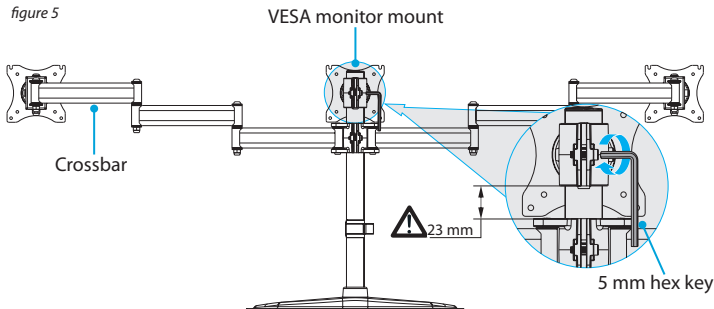


- Slide the **VESA monitor mount** down the **pole**.

**Caution!** Leave approximately **23 mm** of space between the top of the **crossbar** and the bottom of the **VESA monitor mount**.

- Use the **5 mm hex key** to tighten the screw in the side of the **VESA monitor mount**.  
(figure 5)

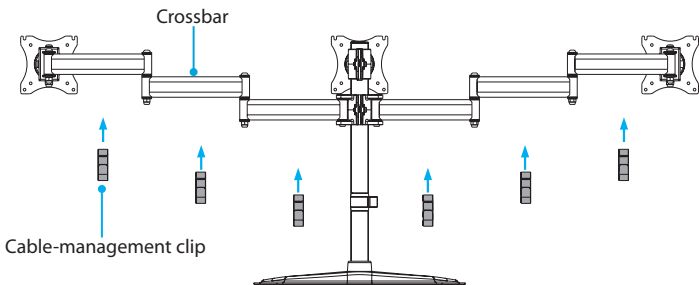
figure 5



## Attach the cable-management clips

- Snap a **cable-management clip** onto each of the six segments of the **crossbar**.  
(figure 6)

figure 6



## Attach monitors to the VESA monitor mounts

**Warning!** Attaching the monitors is a two-person job. **Do not** attempt to complete this task by yourself.

**Tiping hazard!** The ARMBARTRIO is free-standing and when you attach monitors to it, you increase the tipping hazard. A second person is required to keep the ARMBARTRIO upright as you attach the monitors.

ARMBARTRIO is designed to be used with monitors that are the same size and weight. If you attach monitors that are different sizes and weights to the ARMBARTRIO, you do so at your own risk.

### Use the 100x100 VESA mounting hole pattern to attach monitors

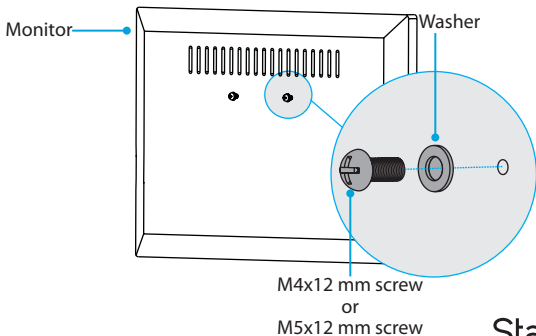
To accommodate different monitor sizes, the ARMBARTRIO comes with two sets of screws that are different lengths and diameters.

To select the appropriate screws for the type of monitor that you're using, complete the following:

- Determine the depth of the mounting holes on the monitor.
  - Determine the diameter of the mounting holes on the monitor.
1. Place two of the **washers** over the top two mounting holes on the back of the monitor.
  2. Insert two of the **M4x12 mm screws** or **M5x12 mm screws** through the **washers** and into the back of the monitor. (*figure 7*)

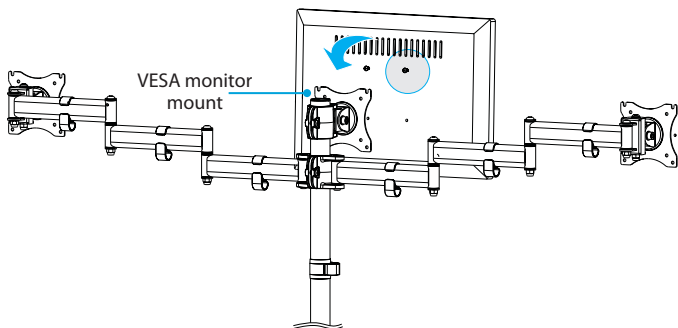
**Caution!** At this point in the assembly, do not tighten the screws so that they are flush against the monitor. To attach the monitor to the **VESA monitor mounts**, you need to leave a small gap between the screws and the monitor.

*figure 7*



3. Carefully hook the screws into the top two slots on the **VESA monitor mount** at the centre of the **crossbar**. (figure 8)

figure 8

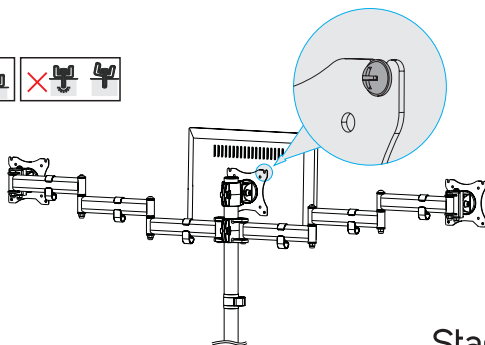


4. Use a Phillips screwdriver to tighten the screws. (figure 9)

**Caution!** If the **crossbar** or the **VESA monitor mount** start to slip down the **pole** when you add the weight of the monitor, remove the monitor and use the **5 mm hex key** to tighten the screw in the back of the **crossbar**. When the screw is tightened, repeat step 3 to reattach the monitor.

**Warning!** Do not over-tighten the screws. If you encounter resistance while you're tightening the screws, stop tightening. Failure to do so could result in damage to the monitor.

figure 9



5. Place two **washers** over the lower mounting holes in the **VESA monitor mount**.
  6. Insert two **M4x12 mm screws** or **M5x12 mm screws** through the **washers**, the mounting holes in the **VESA monitor mount**, and into the back of the **monitor**.
- Warning!** Do not over-tighten the screws. If you encounter resistance while you're tightening the screws, stop tightening. Failure to do so could result in damage to the monitor.
7. Repeat steps 1 to 6 to attach the other two monitors to the **VESA monitor mounts** on the **crossbar**.

### Use the 75x75 VESA mounting hole pattern to attach a monitor

To accommodate different monitor sizes, the ARMBARTRIO comes with two sets of screws that are different lengths and diameters.

To select the appropriate screws for the type of monitor that you're using, complete the following:

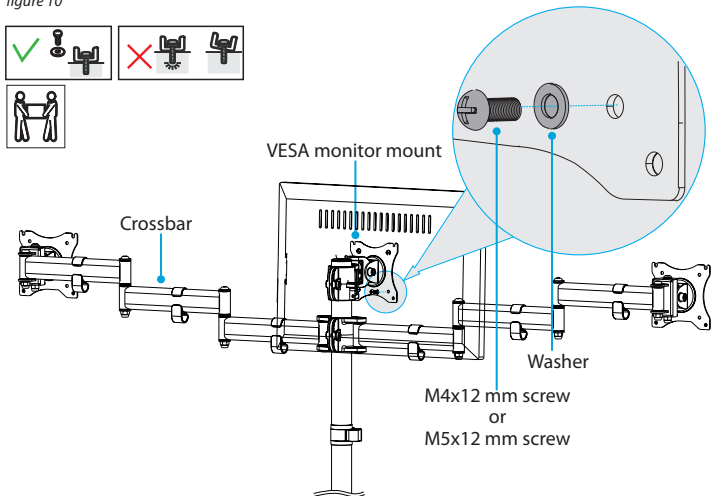
- Determine the depth of the mounting holes on the monitor.
  - Determine the diameter of the mounting holes on the monitor.
1. Line up the mounting holes on the back of the monitor with the 75x75 mounting holes on the **VESA monitor mount** at the centre of the **crossbar**.
  2. While someone holds the monitor in place, insert the **M4x12 mm screws** or **M5x12 mm screws** through the **washers**, the mounting holes in the **VESA monitor mount**, and into the back of the monitor. (*figure 10*)
  3. Use a Phillips screwdriver to tighten the screws.

**Caution!** If the **crossbar** or the **VESA monitor mount** start to slip down the **pole** when you add the weight of the monitor, remove the monitor and use the **5 mm hex key** to tighten the screw in the back of the **crossbar**. When the screw is tightened, repeat step 2 to reattach the monitor.

**Warning!** Do not over-tighten the screws. If you encounter resistance while you're tightening the screws, stop tightening. Failure to do so could result in damage to the monitor.

4. Repeat steps 1 to 3 to attach the other two monitors to the **VESA monitor mounts** on the **crossbar**.

figure 10



## Adjust the tilt angle of your monitor

1. To change the angle that the monitor is tilted at, use the **6 mm hex key** to turn the screw in the side of the **VESA monitor mount** counterclockwise.
2. When the screw is loose, position the monitor at the angle that works best for you.
3. Use the **6 mm hex key** to turn the screw clockwise to tighten it. (figure 11)
4. When you're done adjusting the tilt angle, you can store the **5 mm hex key** and **6 mm hex key** in the **hex key holder** in the **cable-management clip**. (figure 12)



figure 11

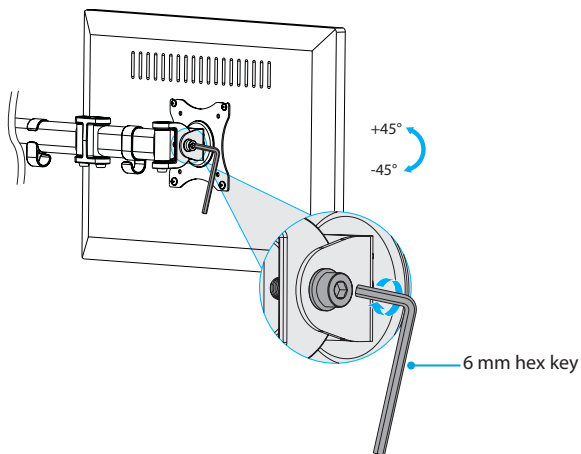
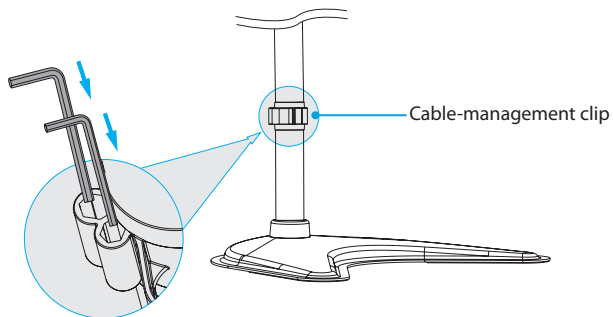


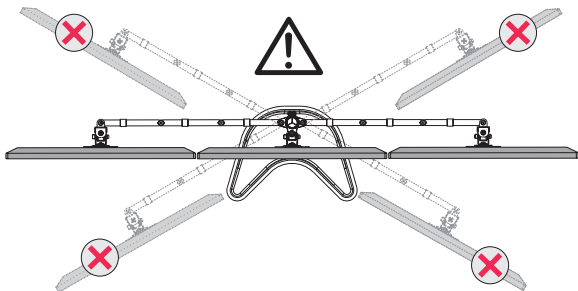
figure 12



## Tipping hazard warning

**Warning!** The most stable configuration of the ARMBARTRIO is in the “flat” position, with all three monitors positioned in a straight line. ARMBARTRIO can become unstable depending upon the forward and rear positioning of the monitors. If you adjust the position of the monitors, you do so at your own risk and you should exercise caution and test the stability of the ARMBARTRIO before you use it in the adjusted configuration. (figure 13)

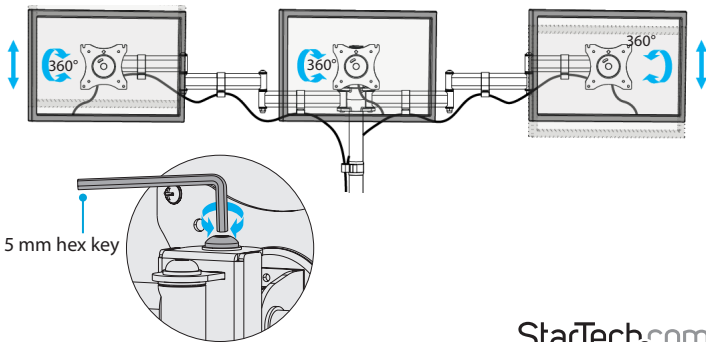
figure 13



## Adjust the vertical position of the monitors

- To make micro adjustments to the vertical height of the monitors, use the **5 mm hex key** to turn the screw in the top of the **VESA monitor mounts** clockwise and counterclockwise. (figure 14)

figure 14



# Technical support

StarTech.com's lifetime technical support is an integral part of our commitment to provide industry-leading solutions. If you ever need help with your product, visit [www.startech.com/support](http://www.startech.com/support) and access our comprehensive selection of online tools, documentation, and downloads.

For the latest drivers/software, please visit [www.startech.com/downloads](http://www.startech.com/downloads)

## Warranty information

This product is backed by a two-year warranty.

StarTech.com warrants its products against defects in materials and workmanship for the periods noted, following the initial date of purchase. During this period, the products may be returned for repair, or replacement with equivalent products at our discretion. The warranty covers parts and labor costs only. StarTech.com does not warrant its products from defects or damages arising from misuse, abuse, alteration, or normal wear and tear.

### Limitation of liability

In no event shall the liability of StarTech.com Ltd. and StarTech.com USA LLP (or their officers, directors, employees or agents) for any damages (whether direct or indirect, special, punitive, incidental, consequential, or otherwise), loss of profits, loss of business, or any pecuniary loss, arising out of or related to the use of the product exceed the actual price paid for the product. Some states do not allow the exclusion or limitation of incidental or consequential damages. If such laws apply, the limitations or exclusions contained in this statement may not apply to you.

Hard-to-find made easy. At StarTech.com, that isn't a slogan. It's a promise.

StarTech.com is your one-stop source for every connectivity part you need. From the latest technology to legacy products — and all the parts that bridge the old and new — we can help you find the parts that connect your solutions.

We make it easy to locate the parts, and we quickly deliver them wherever they need to go. Just talk to one of our tech advisors or visit our website. You'll be connected to the products you need in no time.

Visit [www.startech.com](http://www.startech.com) for complete information on all StarTech.com products and to access exclusive resources and time-saving tools.

*StarTech.com is an ISO 9001 Registered manufacturer of connectivity and technology parts. StarTech.com was founded in 1985 and has operations in the United States, Canada, the United Kingdom and Taiwan servicing a worldwide market.*