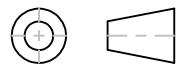


THIRD ANGLE PROJECTION

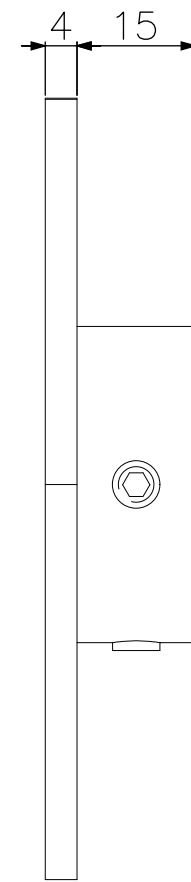
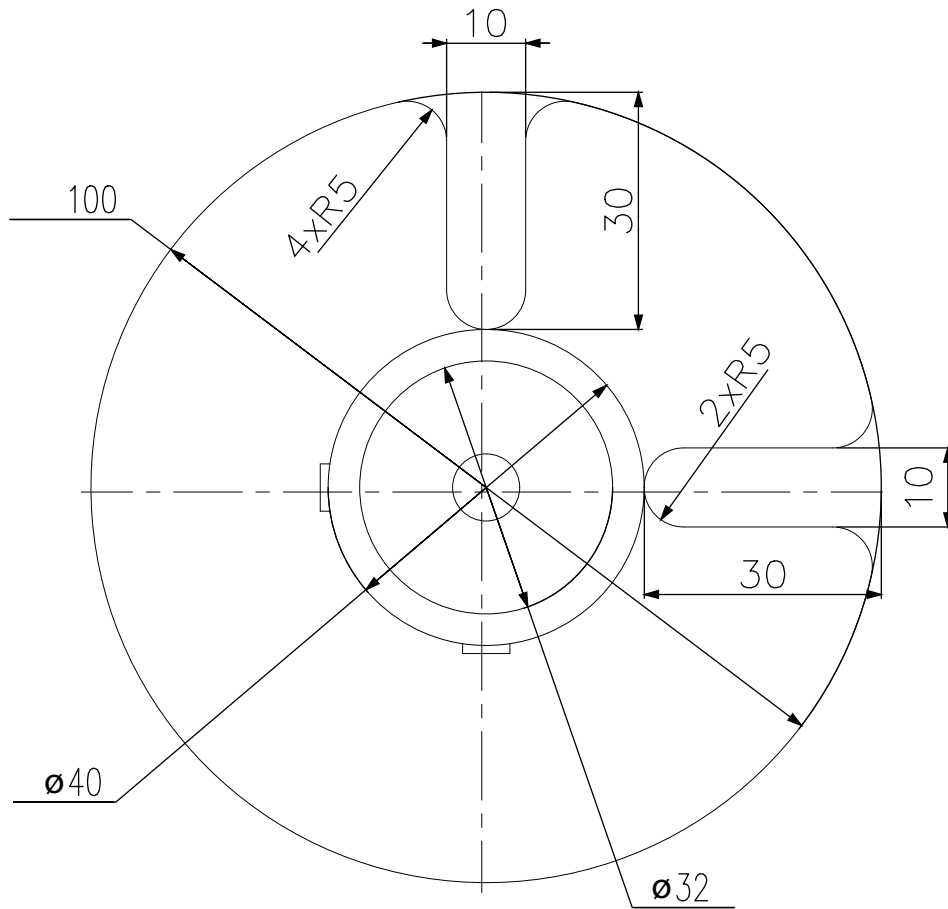


GENERAL NOTES

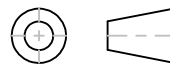
DIMENSIONS ARE IN MM - DO NOT SCALE
 THIS DOCUMENT CONTAINS CONFIDENTIAL, PROPRIETARY INFORMATION THAT IS PROPERTY OF STARTECH.COM

StarTech.com

| | | | |
|---------------------|--|-------------------------------|--|
| PRODUCT ID | ARMDUALV | | |
| DESCRIPTION | Desk-Mount Dual Monitor Mount - Vertical - Steel | | |
| DO NOT SCALE | SHEET: 1 OF: 2 | UPLOAD DATE: 2/12/2026 | |



THIRD ANGLE PROJECTION



GENERAL NOTES

DIMENSIONS ARE IN MM - DO NOT SCALE
 THIS DOCUMENT CONTAINS CONFIDENTIAL,
 PROPRIETARY INFORMATION THAT IS
 PROPERTY OF STARTECH.COM

StarTech.com

| | | | |
|---------------------|--|-------------------------------|--|
| PRODUCT ID | ARMDUALV (Grommet Collar) | | |
| DESCRIPTION | Desk-Mount Dual Monitor Mount - Vertical - Steel | | |
| DO NOT SCALE | SHEET: 2 OF 2 | UPLOAD DATE: 2/12/2026 | |