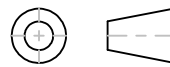


THIRD ANGLE PROJECTION

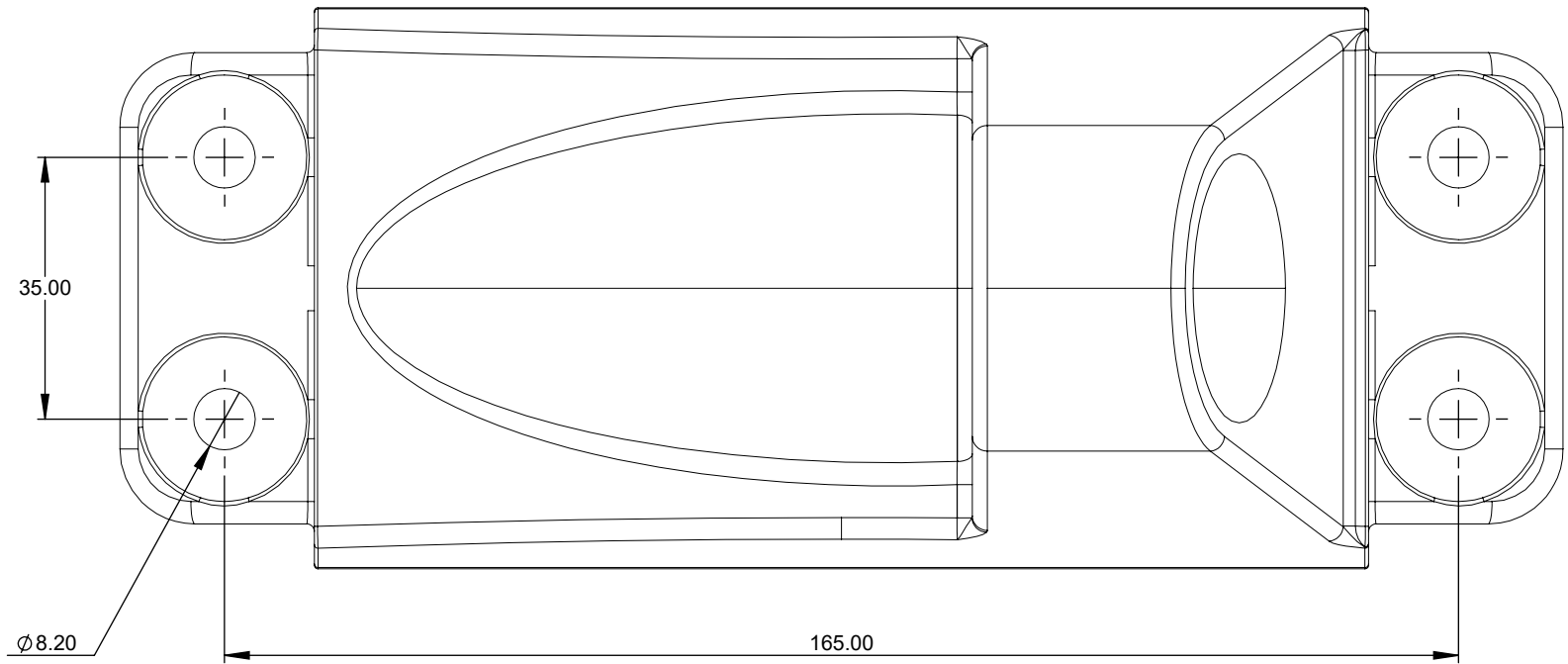


GENERAL NOTES

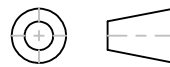
DIMENSIONS ARE IN MM - DO NOT SCALE
 THIS DOCUMENT CONTAINS CONFIDENTIAL,
 PROPRIETARY INFORMATION THAT IS
 PROPERTY OF STARTECH.COM



PRODUCT ID	ARMDUALWALL		
DESCRIPTION	Wall Mount Dual Monitor Arm		
DO NOT SCALE	SHEET: 1 OF 2	UPLOAD DATE: 5/27/2026	



THIRD ANGLE PROJECTION



GENERAL NOTES

DIMENSIONS ARE IN MM - DO NOT SCALE
 THIS DOCUMENT CONTAINS CONFIDENTIAL,
 PROPRIETARY INFORMATION THAT IS
 PROPERTY OF STARTECH.COM



PRODUCT ID	ARMDUALWALL		
DESCRIPTION	Wall Mount Dual Monitor Arm - Mount Plate Details		
DO NOT SCALE	SHEET: 2 OF 2	UPLOAD DATE: 5/27/2026	