

External TV Tuner

TV Tuner for LCD Monitors with Remote

COMP2VGATV2

Instruction Manual



Actual product may vary from photo

StarTech.com
Making hard-to-find easy!

FCC Compliance Statement

This equipment has been tested and found to comply with the limits for a Class B digital device, pursuant to part 15 of the FCC Rules. These limits are designed to provide reasonable protection against harmful interference in a residential installation. This equipment generates, uses and can radiate radio frequency energy and, if not installed and used in accordance with the instructions, may cause harmful interference to radio communications. However, there is no guarantee that interference will not occur in a particular installation. If this equipment does cause harmful interference to radio or television reception, which can be determined by turning the equipment off and on, the user is encouraged to try to correct the interference by one or more of the following measures:

- Reorient or relocate the receiving antenna.
- Increase the separation between the equipment and receiver.
- Connect the equipment into an outlet on a circuit different from that to which the receiver is connected.
- Consult the dealer or an experienced radio/TV technician for help.

Use of Trademarks, Registered Trademarks, and other Protected Names and Symbols

This manual may make reference to trademarks, registered trademarks, and other protected names and/or symbols of third-party companies not related in any way to StarTech.com. Where they occur these references are for illustrative purposes only and do not represent an endorsement of a product or service by StarTech.com, or an endorsement of the product(s) to which this manual applies by the third-party company in question. Regardless of any direct acknowledgement elsewhere in the body of this document, StarTech.com hereby acknowledges that all trademarks, registered trademarks, service marks, and other protected names and/or symbols contained in this manual and related documents are the property of their respective holders.

Table of Contents

Introduction	1
Features	1
Package Contents	1
Hardware Guide	2
Installation	4
OSD Operation	5
Specifications	6
Technical Support	6
Warranty Information	6

Introduction

Thank you for purchasing a StarTech.com TV Tuner for LCD Monitors (with Remote). Providing a compact solution for turning VGA capable monitors, plasma displays or projectors into complete multimedia centers, COMP2VGATV2 offers a built-in TV tuner and multiple video ports, allowing simple connections to popular components such as DVD players, satellite receivers or even game consoles.

Features

- Provides high quality picture with sharp, stable image output to LCD and/or CRT monitor
- Full screen display resolution supports up to 1280x1024 @ 60 Hz
- High quality picture with sharp, stable image output to VGA/SVGA/XGA/SXGA
- User-friendly On-Screen Display offers simple customization and function control

Package contents:

This package should contain:

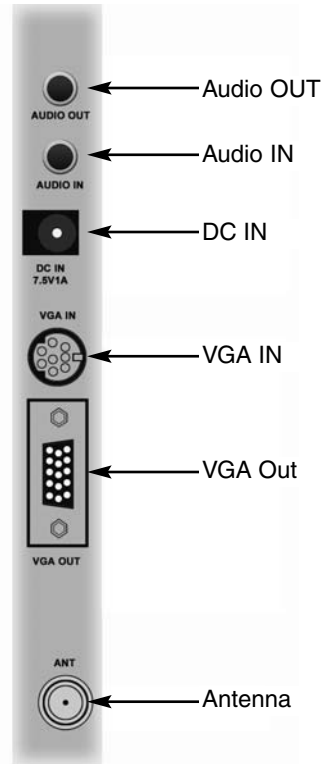
- 1x TV Tuner
- 1x Stand holder
- 1x Instruction Manual
- 1x Audio Cable (3.5mm to 3.5mm stereo)
- 1x Remote Control
- 1x VGA 15-pin to VGA 8-pin cable
- 1x Power adapter

Hardware Guide

Front Panel view



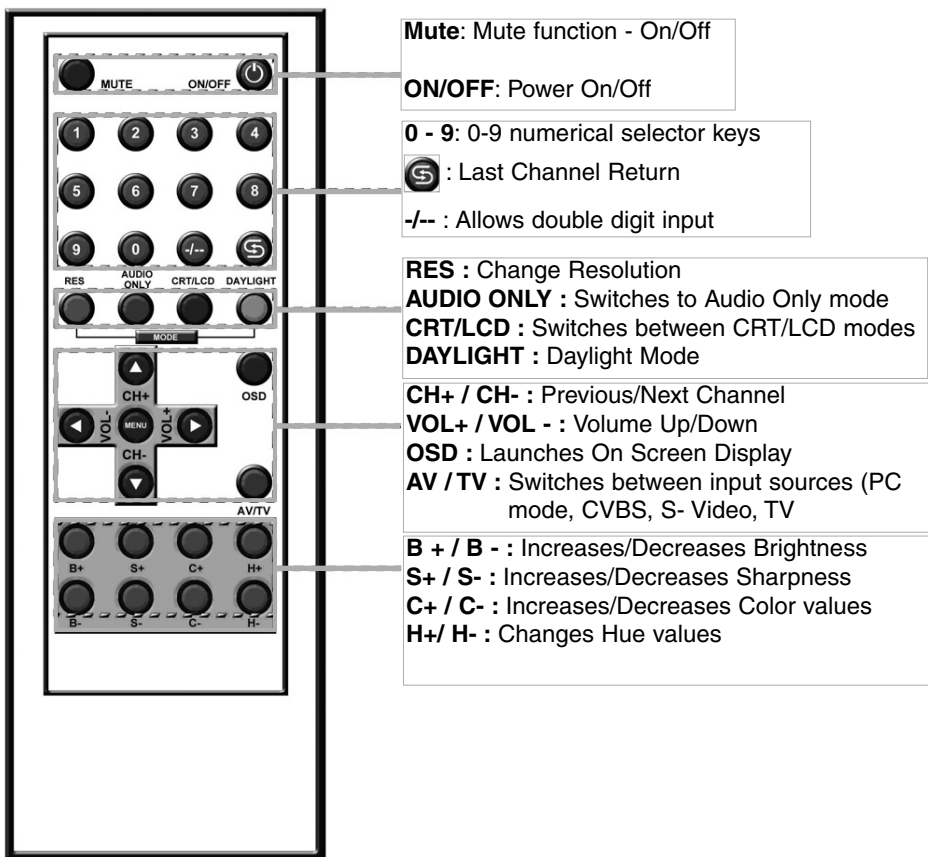
Rear Panel view



Port	Connection
Audio IN (Left and Right)	Audio input from video source
Video IN	Analog composite video input from video source
S-Video IN	Analog S-Video input from video source
Audio OUT	Connect to speakers, headset
Audio IN	Connect to sound card Line-in port (use 3.5mm to 3.5mm cable)
DC IN (7.5V/1A)	Connect the DC power adapter here
VGA IN	Connect to the computer video card using the included VGA 15-pin to VGA 8-pin cable
VGA OUT	Connect to your LCD/CRT monitor
Antenna	Connect cable TV antenna here

Hardware Guide - cont'd

Remote Control



Use the **Menu** button to launch the OSD Menu, as well as to confirm any settings changes. The OSD Menu will automatically discard any changes made, and disappear off screen if no actions are taken after 5 seconds. For further details on OSD operation, please see **OSD Operation** (p. 5)

Installation

1. Shut down power to the host computer and monitor/display, as well as to COMP2VGATV2.
2. Connect COMP2VGATV2 to an LCD or CRT monitor and your computer by connecting from VGA IN (rear panel) to your display card (using the included 8 pin to 15 pin VGA Cable), and VGA OUT to your LCD / CRT monitor.
3. Connect the 3.5mm to 3.5mm stereo cable from your sound card's Line Out port to the Audio IN port provided by COMP2VGATV2, then connect your speakers / headset to COMP2VGATV2's Audio Out port.
4. Connect your Cable TV Antenna to the antenna input provided by COMP2VGATV2.
5. Connect your Composite video and/or S-Video input ports in the front of the device.
6. Connect the DC power converter's output to the DC IN port, located on the rear panel of COMP2VGATV2.

Once power has been connected, COMP2VGATV2 should automatically power on, as will be indicated by the Power LED.

OSD Operation

Main Menu	Sub Menus	Descriptions
Color	↵	Enter Color sub menu
	Brightness	Adjust brightness values
	Contrast	Adjust contrast values
	Saturation	Adjust saturation values
	Hue	Adjust hue values
	Default	Set all color values to default
	Return	Return to Main Menu
Video	↵	Enter Video sub menu
	Standard	PAL/NTSC/SECAM
	Return	Return to Main Menu
Channel		Enter Channel sub menu (accessible only if source is switched to TV)
	Standard	NTSC, PAL-DK, PAL-I, PAL-BG, PAL-M, PAL-N, SECAM, SECAM1 (May depend on Tuner)
	Auto Scan	Automatically scans for channel
	Full Scan	Full frequency scans for channel (takes longer compared to Auto Scan)
	Fine Tune	Adjust the frequency of the current channel.
	Channel Erase/Add	Remove/Add the current channel
	Return	Return to Main Menu
Display	↵	
	640 x 480	VGA; 4:3
	800 x 600	SVGA; 4:3
	1024 x 768	XGA; 4:3
	1280 x 1024	SXGA; 5:4
	1152 x 900	Sun; approx 4:3
	1280 x 768	WXGA; approx 16:9
	1440 x 900	WSXGA; 16:10 (Not all monitors can support)
	Return	Return to Main Menu
OSD	↵	
	Pos. X	Moves OSD position horizontally
	Pos. Y	Moves OSD position vertically
	Return	Return to Main Menu
Language	↵	
	English	Sets Menu in English language
		Sets Menu in Simplified Chinese language
		Sets Menu in Traditional Chinese language
	Portuguese	Sets Menu in Portuguese language
Exit		Exit Menu Mode

Specifications

TV Input	Coaxial (RF) Composite Video Input S-Video Input
VGA Input	15 pin DB
Video output	VGA output: 15 pin DB (Via Y Cable)
Audio input	RCA Stereo Audio Input From PC Sound card SPK out
Power Adapter	DC 7.5V 1A
Regulatory Certifications	ROHS, FCC, CE

Technical Support

StarTech.com's lifetime technical support is an integral part of our commitment to provide industry-leading solutions. If you ever need help with your product, visit www.startech.com/support and access our comprehensive selection of online tools, documentation, and downloads.

Warranty Information

This product is backed by a one-year warranty. In addition, StarTech.com warrants its products against defects in materials and workmanship for the periods noted, following the initial date of purchase. During this period, the products may be returned for repair, or replacement with equivalent products at our discretion. The warranty covers parts and labor costs only. StarTech.com does not warrant its products from defects or damages arising from misuse, abuse, alteration, or normal wear and tear.

Limitation of Liability

In no event shall the liability of StarTech.com Ltd. and StarTech.com USA LLP (or their officers, directors, employees or agents) for any damages (whether direct or indirect, special, punitive, incidental, consequential, or otherwise), loss of profits, loss of business, or any pecuniary loss, arising out of or related to the use of the product exceed the actual price paid for the product. Some states do not allow the exclusion or limitation of incidental or consequential damages. If such laws apply, the limitations or exclusions contained in this statement may not apply to you.

About StarTech.com

StarTech.com is “The Professionals’ Source for Hard-to-Find Computer Parts”. Since 1985, we have been providing IT professionals with the quality products they need to complete their solutions. We offer an unmatched selection of computer parts, cables, server management solutions and A/V products and serve a worldwide market through our locations in the United States, Canada, the United Kingdom and Taiwan.

Visit **www.startech.com** for complete information about all our products and to access exclusive interactive tools such as the Parts Finder and the KVM Reference Guide. StarTech.com makes it easy to complete almost any IT solution. Find out for yourself why our products lead the industry in performance, support, and value.