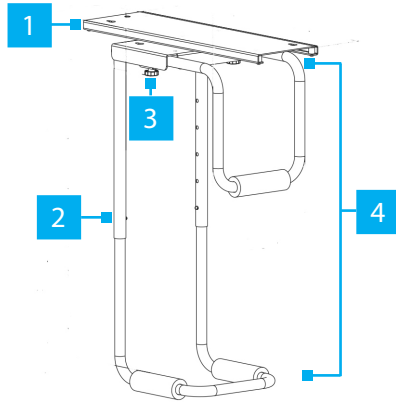


## CPU Table Mount

### Product Diagram (CPUMNTUD)



Part	Function
1 Mounting Plate	<ul style="list-style-type: none"> <li>Allows for lateral adjustments.</li> <li>Mounts the <b>CPU Holder</b> into place.</li> </ul> <p><b>Note:</b> The <b>CPU Holder</b> needs a minimum table thickness of .75" (19mm).</p>
2 Adjustment buttons (2)	<ul style="list-style-type: none"> <li>Allows for height adjustments.</li> </ul> <p><b>Note:</b> The <b>CPU Holder</b> has a height range of minimum 14" (357mm) and maximum 21.9" (557mm).</p>
3 Adjustment Knobs (2)	<ul style="list-style-type: none"> <li>Allows for width adjustments.</li> </ul> <p><b>Note:</b> The <b>CPU Holder</b> has a width range of minimum 4.84" (123mm) and maximum 9.96" (253mm).</p>
4 CPU Holder	<ul style="list-style-type: none"> <li>Mounts the CPU.</li> </ul> <p><b>Note:</b> The <b>CPU Holder</b> has a maximum weight capacity of 66 lbs (30 kg).</p>

### Requirements

For the latest requirements, please visit [www.startech.com/CPUMNTUD](http://www.startech.com/CPUMNTUD).

### Installation

**Notes:** StarTech.com is not responsible for any damages related to the installation of this product.

The **CPU Holder** needs a minimum table thickness of .75" (19mm).

Please refer to the warning statements prior to installation.

#### Mounting Plate

1. Align the **Mounting Plate** into position on the mounting surface.
2. Insert the **Mounting Screws** (6) through the **Mounting Holes** (6) on the **Mounting Plate** and into the mounting surface.
3. Using a **Phillips Head Screwdriver**, tighten the **Mounting Screws** (6). Be careful not to over-tighten.

#### CPU Holder

- Align the **Swivel** on the bottom of the **CPU Holder** with the **Rails** on the **Mounting Plate**. Make sure that the **Rails** on the **Swivel** are properly aligned with the **Rails** on the **Mounting Plate** so that you can easily slide the **CPU Holder** across the **Rails**.

#### Stopper Installation

1. Align two of the **Stoppers** with the **Stopper Holes** (2), on one end of the **Mounting Plate**. Insert the **Stopper** between the base of the **Mounting Plate** and the **Rails** on the **Mounting Plate**.
2. Insert the **Stopper Screw** through the **Mount Plate Rail** and into the **Stopper**.
3. Using a **Phillips Head Screwdriver**, tighten the **Stopper Screws** (2). Be careful not to over-tighten.

### Adjusting the CPU Holder

#### Width

The **CPU Holder** has a width range of 4.84" (123mm) - 9.96" (253mm).

1. Loosen the two **Adjustment Knobs** located on either side of the **CPU Holder**.
2. Slide the **Width Adjustment Bar** away from the **CPU Holder**.
3. Once the **Width Adjustment Bar** is at the desired width, tighten the **Adjustment Knobs** to lock the **Width Adjustment Bar** in place.

## Height

The **CPU Holder** has a height range of 14.05" (357mm) - 21.9" (557mm).

1. Push and hold the two **Adjustment Buttons** on either side of the **Height Adjustment Bars**.
2. To adjust the height of the **CPU Holder** either:
  - Slide the **Height Adjustment Bars** toward the base of the **CPU Holder** to decrease the height of the **CPU Holder**.
  - Slide the **Height Adjustment Bars** away from the base of the **CPU Holder** to increase the height of the **CPU Holder**.
3. Once you have reached the desired height align the **Height Adjustment Buttons** with the **Adjustment Holes**, an audible click will indicate that the **Height Adjustment Bars** are locked in place.

## Moving the CPU Holder

The **CPU Holder** can rotate 360 degree and slide along the **Rails**, accommodating multiple mounting positions.

## Product Warnings

### Warning Statements

- Make sure that you assemble this product according to the instructions.
- Make sure that the weight of the mounted equipment doesn't exceed the weight capacity of this product, max 66 lbs (30 kg).

### Varningsmeddelande

- Se till att du monterar produkten i enlighet med instruktionerna.
- Överskrid inte produktens viktkapacitet. Överbelastning av produkten kan orsaka skada på person eller egendom. Denna produkt har stöd för följande vikter: 66 lbs (30 kg).

### Avertissements

- Assemblez ce produit conformément aux instructions.
- Ne dépassez pas la capacité pondérale du produit. Une surcharge du produit peut entraîner des blessures ou des dommages matériels. Ce produit peut supporter 66 lbs (30 kg).

### Warnhinweise

- Beachten Sie bei der Montage dieses Produkts die Montageanweisungen.
- Überschreiten Sie nicht die Tragkraft dieses Produkts. Ein Überladen dieses Produkts kann zu Verletzungen oder zur Beschädigung des Produkts führen. Dieses Produkt ist für folgendes Gewicht geeignet: 66 lbs (30 kg).

### Dichiarazioni di avvertenza

- Assicurarsi di Assemblare il prodotto secondo le istruzioni.
- Non superare la capacità di carico del prodotto. Il sovraccarico del prodotto potrebbe causare danni o lesioni. Il prodotto è in grado di supportare i seguenti pesi: 66 lbs (30 kg).

### Mensagens de aviso

- Certifique-se de que monta este produto de acordo com as instruções.
- Não exceda a capacidade de peso deste produto. Sobrecarregar este produto pode resultar em ferimentos ou danos de propriedade. Este produto pode suportar o seguinte peso: 66 lbs (30 kg).

## Advertencias de uso

- Asegúrese de ensamblar este producto según las instrucciones.
- Asegúrese de no exceder la capacidad de peso de este producto. La sobrecarga de este producto puede causar lesiones personales o daños en la propiedad. Este producto tiene capacidad para el siguiente peso: 66 lbs (30 kg).

## Waarschuwingen

- Zorg dat u dit product volgens de instructies in elkaar zet.
- Overschrijd de maximale capaciteit van dit product niet. Overbelasting van dit product kan letsel of materiële schade veroorzaken. Dit product ondersteunt het volgende gewicht: 66lbs (30 kg).

## 注意

- 必ず取扱説明書に従って本製品の組み立てを行って下さい。
- 本製品で定められた最大積載重量を超えないようにして下さい。最大積載重量をオーバーした場合、怪我をする恐れや器物破損の恐れがあります。本製品は、モニター1台あたり66 lbs (30kg)まで支持できます。

### Use of Trademarks, Registered Trademarks, and other Protected Names and Symbols

This manual may make reference to trademarks, registered trademarks, and other protected names and/or symbols of third-party companies not related in any way to StarTech.com. Where they occur these references are for illustrative purposes only and do not represent an endorsement of a product or service by StarTech.com, or an endorsement of the product(s) to which this manual applies by the third-party company in question. StarTech.com hereby acknowledges that all trademarks, registered trademarks, service marks, and other protected names and/or symbols contained in this manual and related documents are the property of their respective holders.

### Warranty Information

This product is backed by a two-year warranty.

For further information on product warranty terms and conditions, please refer to [www.startech.com/warranty](http://www.startech.com/warranty).

### Limitation of Liability

In no event shall the liability of StarTech.com Ltd. and StarTech.com USA LLP (or their officers, directors, employees or agents) for any damages (whether direct or indirect, special, punitive, incidental, consequential, or otherwise), loss of profits, loss of business, or any pecuniary loss, arising out of or related to the use of the product exceed the actual price paid for the product. Some states do not allow the exclusion or limitation of incidental or consequential damages. If such laws apply, the limitations or exclusions contained in this statement may not apply to you.

### StarTech.com Ltd.

45 Artisans Cres  
London, Ontario  
N5V 5E9  
Canada

### StarTech.com LLP

2500 Creekside  
Parkway  
Lockbourne, Ohio  
43137  
U.S.A.

### StarTech.com Ltd.

Unit B, Pinnacle 15  
Gowerton Rd,  
Brackmills  
Northampton  
NN4 7BW  
United Kingdom

FR: fr.startech.com  
DE: de.startech.com  
ES: es.startech.com  
NL: nl.startech.com  
IT: it.startech.com  
JP: jp.startech.com