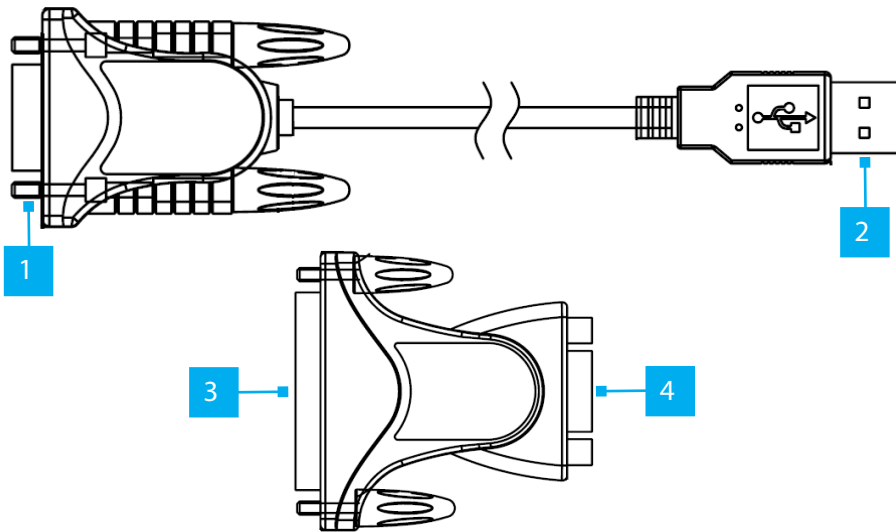


1 Port USB to RS232 Serial DB9/DB25 Adapter Cable - M/M

Product Diagram (ICUSB232DB25)



	Port/LED/Connector	Function
1	Serial Port DB-9	• Connect Serial Peripheral Devices
2	USB Type A Port	• Connect the USB to Serial Adapter Cable to a Host Computer
3	Serial Port DB-25 (Adapter)	• Connect a DB-25 Serial Peripheral Devices
4	Serial Port DB-9 (Adapter)	• Connect the DB9 to DB25 Serial Adapter to the USB to RS232 Cable's Serial DB-9 Port

Package Contents

- 3ft USB to RS232 Cable x1
- DB9 to DB25 Serial Adapter x 1
- Quick-Start Guide x1

Requirements

- For the latest requirements, please visit: www.StarTech.com/ICUSB232DB25
- Computer with an available USB Type-A port

Installation

Install the Driver

1. Navigate to: www.StarTech.com/ICUSB232DB25
2. Click the **Drivers/Downloads** tab.
3. Under **Driver(s)**, download the **Driver Package** for your operating system.

Windows

1. Right-click the downloaded file and extract the contents with **Extract All**.
2. Browse the Windows folder and run the **Setup** file.
3. Follow the on-screen instructions to complete the installation.
4. Connect the **USB to Serial Adapter Cable** to an available USB port.

macOS

1. Double-click the downloaded file.
2. Open the folder that matches your **macOS Version** and run the **Setup** file inside the folder.
3. Follow the on-screen instructions to complete the installation.
4. Connect the **USB to Serial Adapter Cable** to an available USB port.

Verify Driver Installation

Windows

1. Navigate to the **Device Manager**.
2. Under **Ports (COM & LPT)**, right-click **Prolific USB-to-Serial Comm Port** and click **Properties**.
3. Confirm that the **Driver** is installed and working as expected.

macOS

1. Navigate to **System Information**.
2. Expand the **Hardware** section and click **USB**.
3. Confirm that **Prolific USB-to-Serial Comm Port** appears in the list.

Regulatory Compliance

FCC - Part 15

This equipment has been tested and found to comply with the limits for a Class B digital device, pursuant to part 15 of the FCC Rules. These limits are designed to provide reasonable protection against harmful interference in a residential installation. This equipment generates, uses and can radiate radio frequency energy and, if not installed and used in accordance with the instructions, may cause harmful interference to radio communications. However, there is no guarantee that interference will not occur in a particular installation. If this equipment does cause harmful interference to radio or television reception, which can be determined by turning the equipment off and on, the user is encouraged to try to correct the interference by one or more of the following measures:

- Connect the equipment into an outlet on a circuit different from that to which the receiver is connected.
- Consult the dealer or an experienced radio/TV technician for help

This device complies with part 15 of the FCC Rules. Operation is subject to the following two conditions:

(1) This device may not cause harmful interference, and (2) this device must accept any interference received, including interference that may cause undesired operation. Changes or modifications not expressly approved by StarTech.com could void the user's authority to operate the equipment.

Industry Canada Statement

This Class B digital apparatus complies with Canadian ICES-003.

Cet appareil numérique de la classe [B] est conforme à la norme NMB-003 du Canada.

CAN ICES-3 (B)/NMB-3(B)

This device complies with Industry Canada licence-exempt RSS standard(s). Operation is subject to the following two conditions:

(1) This device may not cause interference, and (2) This device must accept any interference, including interference that may cause undesired operation of the device.

Le présent appareil est conforme aux CNR d'Industrie Canada applicables aux appareils radio exempts de licence. L'exploitation est autorisée aux deux conditions suivantes:

(1) l'appareil ne doit pas produire de brouillage, et (2) l'utilisateur de l'appareil doit accepter tout brouillage radioélectrique subi, même si le brouillage est susceptible d'en compromettre le fonctionnement.

Warranty Information

This product is backed by a two-year warranty.

For further information on product warranty terms and conditions, please refer to www.startech.com/warranty.

Limitation of Liability

In no event shall the liability of StarTech.com Ltd. and StarTech.com USA LLP (or their officers, directors, employees or agents) for any damages (whether direct or indirect, special, punitive, incidental, consequential, or otherwise), loss of profits, loss of business, or any pecuniary loss, arising out of or related to the use of the product exceed the actual price paid for the product. Some states do not allow the exclusion or limitation of incidental or consequential damages. If such laws apply, the limitations or exclusions contained in this statement may not apply to you.

StarTech.com Ltd.

45 Artisans Crescent
London, Ontario
N5V 5E9
Canada

StarTech.com LLP

4490 South Hamilton
Road
Groveport, Ohio
43125
U.S.A.

StarTech.com Ltd.

Unit B, Pinnacle 15
Gowerton Road
Brackmills,
Northampton
NN4 7BW
United Kingdom

StarTech.com Ltd.

Siriusdreef 17-27
2132 WT Hoofddorp
The Netherlands

FR: startech.com/fr
DE: startech.com/de
ES: startech.com/es
NL: startech.com/nl
IT: startech.com/it
JP: startech.com/jp