

# 1000 Mbps Gigabit Single-Mode Fiber Ethernet Media Converter

MCMGBSC15 / MCMGBSC15GB / MCMGBSC15EU

- DE: Bedienungsanleitung - de.startech.com
- FR: Guide de l'utilisateur - fr.startech.com
- ES: Guía del usuario - es.startech.com
- IT: Guida per l'uso - it.startech.com
- NL: Gebruiksaanwijzing - nl.startech.com
- PT: Guia do usuário - pt.startech.com

## Packaging Contents

- 1 x MCMGBSC15 / GB / EU media converter
- 1 x Power Adapter
- 1 x Installation Guide



\*actual product may vary from photos

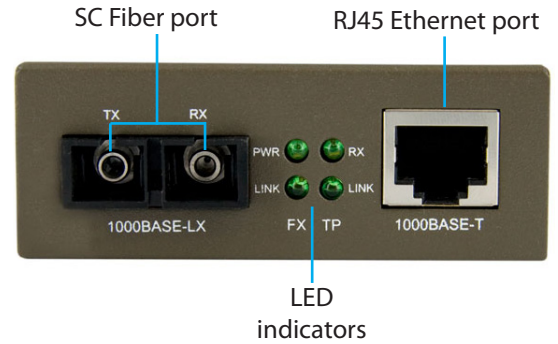
## System Requirements

- Gigabit (1000Mb/s) Ethernet network
- Gigabit (1000Mb/s) Fiber network

## LED Indicators

LED	Status	Description
PWR	ON	Power On
	OFF	Power Off
FX LINK	ON	Fiber Link Detected
	OFF	No Fiber Link Detected
LINK	ON	Ethernet Link Detected
	OFF	No Ethernet Link Detected
TP RX	ON	Unit is receiving data from Ethernet port
	OFF	No incoming data from Ethernet port

### Front View



### Rear View



## Specifications

<b>Connectors</b>	1 x RJ45 Ethernet 2 x SC Fiber 1 x Power connector
<b>LEDs</b>	Power, Fiber Link, Fiber Receive, Ethernet Link
<b>Fiber Type</b>	Single Mode 9/125 micron
<b>Maximum Distance</b>	15km
<b>Transmission Standards</b>	IEEE802.3ab, 802.3z, 802.3x
<b>Duplex Mode</b>	Full/Half (Auto-Detect)
<b>Dimensions</b>	99.0mm x 73.0mm x 27.0mm
<b>Weight</b>	450g

## Installation

1. Connect the Ethernet cable to the Fiber Media Converter RJ45 Ethernet port.
2. Connect the other end of the Ethernet cable to the router/switch/computer NIC.
3. Connect the fiber cable into the fiber receptacle on the media converter.
4. Plug the provided power adapter into the media converter, and into an available AC power outlet.
5. Connect the other end of the fiber cable into the router/switch/computer NIC/another media converter. Remember to reverse the TX and RX leads between the two devices.

### FCC Compliance Statement

This equipment has been tested and found to comply with the limits for a Class B digital device, pursuant to part 15 of the FCC Rules. These limits are designed to provide reasonable protection against harmful interference in a residential installation. This equipment generates, uses and can radiate radio frequency energy and, if not installed and used in accordance with the instructions, may cause harmful interference to radio communications. However, there is no guarantee that interference will not occur in a particular installation. If this equipment does cause harmful interference to radio or television reception, which can be determined by turning the equipment off and on, the user is encouraged to try to correct the interference by one or more of the following measures:

- Reorient or relocate the receiving antenna.
- Increase the separation between the equipment and receiver.
- Connect the equipment into an outlet on a circuit different from that to which the receiver is connected.
- Consult the dealer or an experienced radio/TV technician for help.

### Use of Trademarks, Registered Trademarks, and other Protected Names and Symbols

This manual may make reference to trademarks, registered trademarks, and other protected names and/or symbols of third-party companies not related in any way to StarTech.com. Where they occur these references are for illustrative purposes only and do not represent an endorsement of a product or service by StarTech.com, or an endorsement of the product(s) to which this manual applies by the third-party company in question. Regardless of any direct acknowledgement elsewhere in the body of this document, StarTech.com hereby acknowledges that all trademarks, registered trademarks, service marks, and other protected names and/or symbols contained in this manual and related documents are the property of their respective holders.

### Technical Support

StarTech.com's lifetime technical support is an integral part of our commitment to provide industry-leading solutions. If you ever need help with your product, visit [www.startech.com/support](http://www.startech.com/support) and access our comprehensive selection of online tools, documentation, and downloads.

For the latest drivers/software, please visit [www.startech.com/downloads](http://www.startech.com/downloads)

### Warranty Information

This product is backed by a two year warranty.

In addition, StarTech.com warrants its products against defects in materials and workmanship for the periods noted, following the initial date of purchase. During this period, the products may be returned for repair, or replacement with equivalent products at our discretion. The warranty covers parts and labor costs only. StarTech.com does not warrant its products from defects or damages arising from misuse, abuse, alteration, or normal wear and tear.

### Limitation of Liability

In no event shall the liability of StarTech.com Ltd. and StarTech.com USA LLP (or their officers, directors, employees or agents) for any damages (whether direct or indirect, special, punitive, incidental, consequential, or otherwise), loss of profits, loss of business, or any pecuniary loss, arising out of or related to the use of the product exceed the actual price paid for the product. Some states do not allow the exclusion or limitation of incidental or consequential damages. If such laws apply, the limitations or exclusions contained in this statement may not apply to you.

## Installation

The Mode Switch on the rear of the media converter can be used control the duplex mode on the fiber side of the media converter.

In most cases, set the Mode Switch to AUTO. If you are connecting to another media converter FORCE mode may need to be selected.

### Auto Mode:

Auto mode is set by default and the media converter will try to auto negotiate the fiber link. In some cases, when connecting to another media converter on the fiber side, both units set to "Auto" can cause an endless loop and prevent a link from being established.

### Force Mode:

Force is the alternative operating mode. In cases where a link is not being established, the media converter needs to be statically set to one mode only. Set the mode switch to FORCE in these instances (such as when connecting the media converter to another media converter).