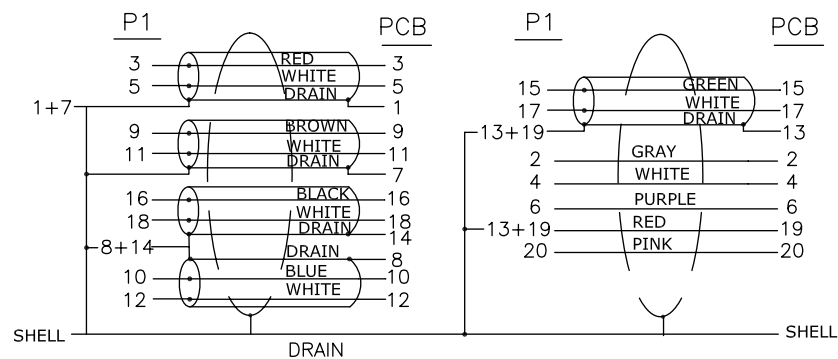


ELECTRICAL TEST:
 1.100% OPEN & SHORT & MIS WIRE TEST
 2.CONTACT RESISTANCE:2 OHM(MAX)
 3.INSULATION RESISTANCE:10M OHM(MIN)
 4.HI-POT TEST:DC 300V/10ms

PIN OUT



15	mini DisplayPort Dust cap
14	H.S.T: ϕ 0.6MM Black
13	mini DisplayPort/M ABS under shell color:Black
12	mini DisplayPort/M ABS top shell color:Black
11	DVI(miniDP/DVI PCB) ABS under shell color:Black
10	DVI F(miniDP/DVI PCB) ABS top shell color:Black Mark:StarTech.com®
9	ϕ 1.0 H.S.T Black
8	ϕ 1.5 H.S.T Black
7	ϕ 2.0 H.S.T Black
6	45P Black PVC
5	mini DP M to DVI(24+5) F (shell gold plated) PCB+SMT+Solder
4	mini Display Port M Back shell shell Nickel plated
3	mini Display Port M Front shell shell Gold plated
2	mini DisplayPort Port M Solder insulation:White pin gold plated w/PCB
1	Display Port UL20276 [32AWG(7/0.08TC)*1PR+EAM]*5+32AWG(7/0.08TC)*5C +D(BC)+AB85% (16/7/0.12AL) OD:4.8MMJacket color:Black
NO	DESCRIPTION

THIRD ANGLE PROJECTION

StarTech.com

GENERAL NOTES		PRODUCT ID	MDP2DVI
DIMENSIONS ARE IN MM - DO NOT SCALE		DESCRIPTION	Mini DisplayPort to DVI Adapter
THIS DOCUMENT CONTAINS CONFIDENTIAL, PROPRIETARY INFORMATION THAT IS PROPERTY OF STARTECH.COM		DO NOT SCALE	SHEET: 1 OF: 1
		UPLOAD DATE: 8/19/2025	