

1U 17in 1080p Dual Rail LCD Rack Console with Front USB Hub

RACKCOND17HD

RKCOND17HDxx



*actual product may vary from photos

DE: Bedienungsanleitung - de.startech.com

FR: Guide de l'utilisateur - fr.startech.com

ES: Guía del usuario - es.startech.com

IT: Guida per l'uso - it.startech.com

NL: Gebruiksaanwijzing - nl.startech.com

PT: Guia do usuário - pt.startech.com

For the most up-to-date information, please visit: www.startech.com

FCC Compliance Statement

This equipment has been tested and found to comply with the limits for a Class B digital device, pursuant to part 15 of the FCC Rules. These limits are designed to provide reasonable protection against harmful interference in a residential installation. This equipment generates, uses and can radiate radio frequency energy and, if not installed and used in accordance with the instructions, may cause harmful interference to radio communications. However, there is no guarantee that interference will not occur in a particular installation. If this equipment does cause harmful interference to radio or television reception, which can be determined by turning the equipment off and on, the user is encouraged to try to correct the interference by one or more of the following measures:

- Reorient or relocate the receiving antenna.
- Increase the separation between the equipment and receiver.
- Connect the equipment into an outlet on a circuit different from that to which the receiver is connected.
- Consult the dealer or an experienced radio/TV technician for help.

Use of Trademarks, Registered Trademarks, and other Protected Names and Symbols

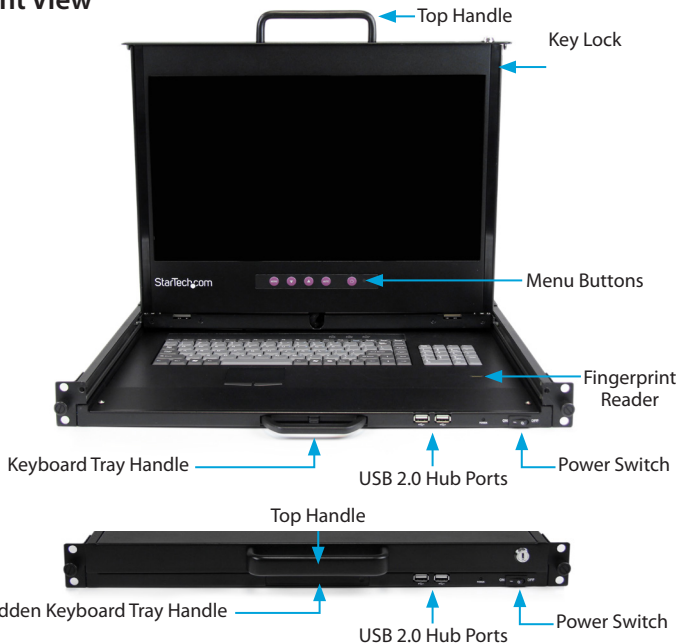
This manual may make reference to trademarks, registered trademarks, and other protected names and/or symbols of third-party companies not related in any way to StarTech.com. Where they occur these references are for illustrative purposes only and do not represent an endorsement of a product or service by StarTech.com, or an endorsement of the product(s) to which this manual applies by the third-party company in question. Regardless of any direct acknowledgement elsewhere in the body of this document, StarTech.com hereby acknowledges that all trademarks, registered trademarks, service marks, and other protected names and/or symbols contained in this manual and related documents are the property of their respective holders.

Table of Contents

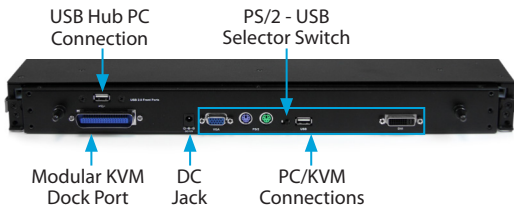
Product Diagram	1
Front View	1
Rear View	1
Introduction	2
Packaging Contents	2
Front Panel Controls	2
Installation	3
Rack Installation.....	3
PC / Server Connection	5
Connecting to a KVM Switch	5
Operation	5
Dual Rail Slide.....	6
Fingerprint Reader.....	7
Specifications.....	10
Technical Support	11
Warranty Information.....	11

Product Diagram

Front View



Rear View




Introduction

Packaging Contents

- 1 x Dual Rail Rack Console
- 1 x Set, Mounting Rails
- 2 x USB A to A Cables
- 1 x DVI Cable
- 1 x VGA PS/2 KVM Cable
- 6 x 6mm Flat Screws
- 2 x Keys
- 2 x Blockers w/ screws
- 1 x NA Power Cord
- 1 x Power Adapter
- 1 x Instruction Manual / Software CD

Front Panel Controls

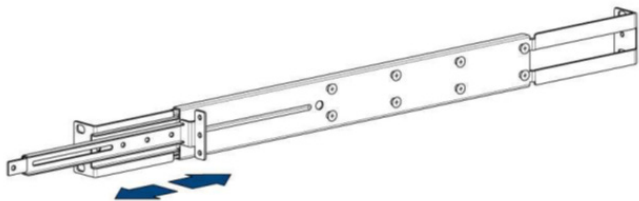
Controls	Description
	Soft power on/off button. Adjacent LED is lit when on.
Auto	Auto-synchronize and scale down display to any valid factory preset timings.
Up ▲	Press to scroll the function you want to adjust.
Down ▼	Press to scroll the function you want to adjust.
Menu	To access the main menu. This button also acts as the “Enter” button.
Power Indicator	GREEN ON RED STANDBY RED SUSPEND RED OFF

Installation

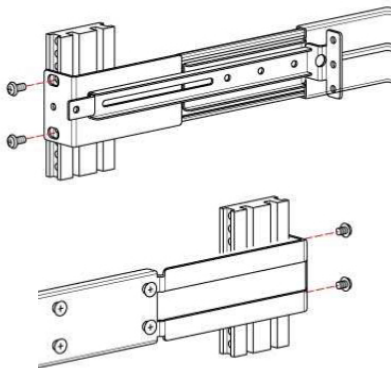
Rack Installation

NOTE: The cabinet depth must be within 22.4 – 34.2" (570 - 870 mm).

1. Adjust rail with rear bracket to fit your rack.

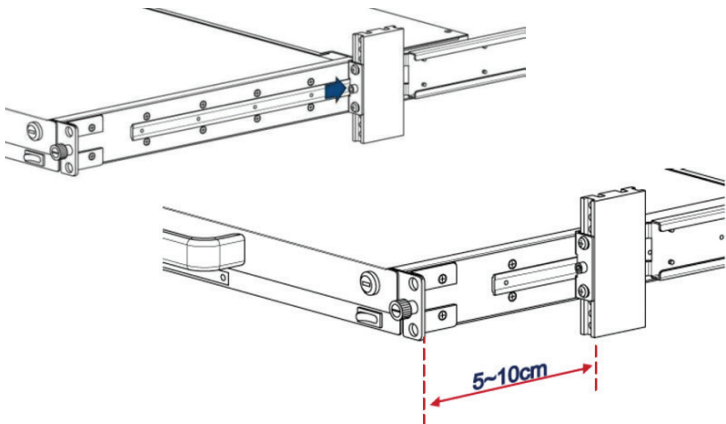


2. Secure the front and rear brackets onto the rack using screws and cage nuts appropriate to your rack (not included).

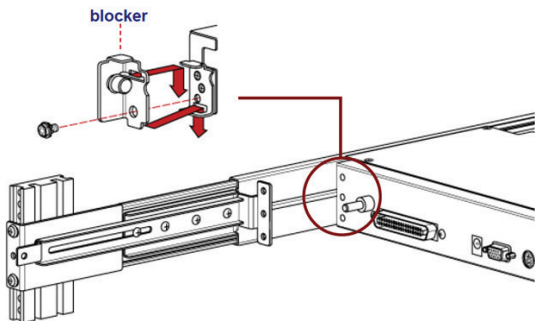


3. Repeat steps 1-2 for the other side.

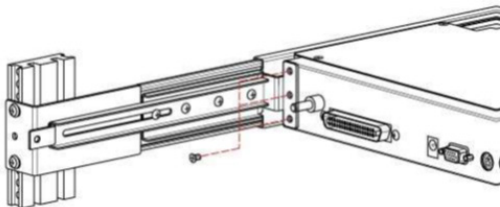
4. Slide the console into the rails and leave about 5-10cm of space to install the blockers.



5. Install one of the Blockers onto the back of the console as shown, and use the included screw to secure it. Repeat on the other side.



6. Install three of the included 6mm Flat Screws to secure the console to the bracket. Repeat on the other side to complete the installation.



PC / Server Connection

1. Turn off the PC / Server you are connecting to the console.
2. Using one of the included cable sets, connect the appropriate video (VGA / DVI) connector to the video output of your PC / Server. Then connect either the PS/2 keyboard/mouse connectors, or use the USB interface.
3. Connect the other end of the cables to the rear of the console.
NOTE: Move the PS/2-USB Selector Switch on the rear of the console to either side to select your desired interface.
4. Connect the USB Hub connector using one of the included USB A-A cables to the USB connector on your server / KVM switch to enable the front USB hub ports and fingerprint reader (optional).
5. Connect the AC to DC power adapter to the power inlet on the console and then to a power outlet.

Connecting to a KVM Switch

When cascading with a KVM switch, KVM Module can be used to control additional computers from the console. The connection is exactly the same as is shown above (see PC / Server Connection section above). The only difference is the connection would be made to the "CONSOLE PORT" of the KVM switch instead, of a computer.

Operation

1. Once all cables are securely connected and all mounting screws are properly tightened, loosen the thumbscrews on the front of the console.



2. Grasp the Top Handle and pull the console outward and then lift upward to open.
3. Turn the Power Switch on the front of the console to the On position, and power on the connected Server or KVM switch.

NOTE: There is also a soft Power On/Off button located with the menu controls below the LCD panel. If the display does not turn on automatically, press the power button.



4. Use the OSD controls to adjust the image as necessary – see the Front Panel Controls section above for instruction.

Dual Rail Slide

The dual-rail console design allows the LCD display and keyboard/mouse to slide independently from the keyboard/touchpad tray.

1. With the console lid open (keyboard tray can be in the rack or pulled out), grab both sides of the LCD panel at the bottom and pull towards you to slide the LCD forward.



2. You can then disengage the locks on the keyboard tray rails to slide the console back into the rack if desired, leaving the LCD panel visible.

Fingerprint Reader

Once installed, the fingerprint reader software offers several options to configure biometric access, application / file launching and virtual secure storage drives.

Windows

1. Insert the included CD and navigate to your CD/DVD drive to install the included fingerprint reader application. The software will create an icon in your system tray.
NOTE: You may be prompted to restart after the install.
2. Open the software to view the main menu window. The following sections will provide instruction on the options available.



Finger Convenience:



Enrollment – Lets you enroll one or more fingerprints.



Password Bank Management – Manages passwords for both websites and applications.

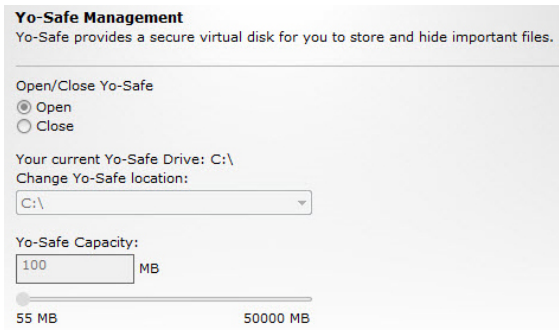
Finger Launch Management – Configures application or file launch at the swipe of a finger.



Data Protection:

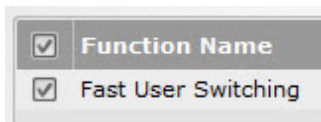
Change Default Password – Create or change a default password for data encryption.

Yo-Safe Management – Create and manage a secure virtual disk.

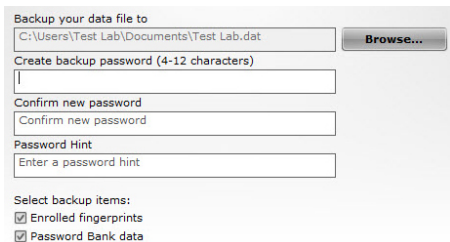


Advance Settings:

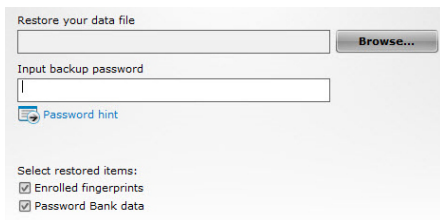
BioExcess™ Functions Settings – Enable or disable Fast User Switching for all accounts.



Data Backup – Backup enrolled fingerprints and Password Bank items.

A screenshot of a 'Data Backup' dialog box. It has a title bar 'Backup your data file to'. Below it is a text field containing 'C:\Users\Test Lab\Documents\Test Lab.dat' and a 'Browse...' button. Then a section 'Create backup password (4-12 characters)' with an empty text field. Below that, 'Confirm new password' with another empty text field. Then 'Password Hint' with a text field containing 'Enter a password hint'. At the bottom, 'Select backup items:' with two checked checkboxes: 'Enrolled fingerprints' and 'Password Bank data'.

Data Restore – Restore backed up data from a file.

A screenshot of a 'Data Restore' dialog box. It has a title bar 'Restore your data file'. Below it is an empty text field and a 'Browse...' button. Then 'Input backup password' with an empty text field. Below that, a 'Password hint' section with a small icon and the text 'Password hint'. At the bottom, 'Select restored items:' with two checked checkboxes: 'Enrolled fingerprints' and 'Password Bank data'.

Information:

About – Display software version information

Help – Access help files

Tutorial – Launch software tutorial

Specifications

Display Size	17.3"
Panel Type	Active Matrix TFT LED
Maximum Screen Resolution	1920x1080 (Full HD)
Supported Platforms	USB or PS/2
Server / KVM Video Type	DVI or VGA
Response Time	2ms
Contrast Ratio	650:1
Brightness	300cd/m ²
Viewing Angle	140° (H), 120° (V)
Pixel Pitch	0.264 x 0.264 mm
Keyboard/Mouse	106-key USB keyboard with touchpad
Console Interface(s)	2x PS/2 (6 pin; Mini-DIN) 1x VGA (15 pin; High Density D-Sub) 1x DVI (29 pin) 2x USB A (4 pin)
Other Interface(s)	2x USB A (4 pin)
Chassis Material	Heavy-duty steel
Minimum/Maximum Mounting Depth	22.4 x 34.2 inches (570 – 870 mm)
Power Supply	100~240V AC Input
Power Consumption	10.2W
Operating Temperature	0°C to 50°C (32°F to 122°F)
Storage Temperature	-20°C to 60°C (-4°F to 140°F)
Humidity	10~90% RH
Dimensions (LxWxH)	21.2 x 17.6 x 1.7 inches (540 x 448 x 44 mm)
Weight	28.7 lbs (13 kg)

Technical Support

StarTech.com's lifetime technical support is an integral part of our commitment to provide industry-leading solutions. If you ever need help with your product, visit www.startech.com/support and access our comprehensive selection of online tools, documentation, and downloads.

For the latest drivers/software, please visit www.startech.com/downloads

Warranty Information

This product is backed by a two year warranty.

In addition, StarTech.com warrants its products against defects in materials and workmanship for the periods noted, following the initial date of purchase. During this period, the products may be returned for repair, or replacement with equivalent products at our discretion. The warranty covers parts and labor costs only. StarTech.com does not warrant its products from defects or damages arising from misuse, abuse, alteration, or normal wear and tear.

Limitation of Liability

In no event shall the liability of StarTech.com Ltd. and StarTech.com USA LLP (or their officers, directors, employees or agents) for any damages (whether direct or indirect, special, punitive, incidental, consequential, or otherwise), loss of profits, loss of business, or any pecuniary loss, arising out of or related to the use of the product exceed the actual price paid for the product. Some states do not allow the exclusion or limitation of incidental or consequential damages. If such laws apply, the limitations or exclusions contained in this statement may not apply to you.

Hard-to-find made easy. At StarTech.com, that isn't a slogan. It's a promise.

StarTech.com is your one-stop source for every connectivity part you need. From the latest technology to legacy products — and all the parts that bridge the old and new — we can help you find the parts that connect your solutions.

We make it easy to locate the parts, and we quickly deliver them wherever they need to go. Just talk to one of our tech advisors or visit our website. You'll be connected to the products you need in no time.

Visit www.startech.com for complete information on all StarTech.com products and to access exclusive resources and time-saving tools.

StarTech.com is an ISO 9001 Registered manufacturer of connectivity and technology parts. StarTech.com was founded in 1985 and has operations in the United States, Canada, the United Kingdom and Taiwan servicing a worldwide market.