

A/V UTP HDMI Extender (Transmitter)

ST121HDMIT

Instruction Manual

Actual product may vary from photo

CONVERGEAV

StarTech.com
Making hard-to-find easy!

FCC Compliance Statement

This equipment has been tested and found to comply with the limits for a Class B digital device, pursuant to part 15 of the FCC Rules. These limits are designed to provide reasonable protection against harmful interference in a residential installation. This equipment generates, uses and can radiate radio frequency energy and, if not installed and used in accordance with the instructions, may cause harmful interference to radio communications. However, there is no guarantee that interference will not occur in a particular installation. If this equipment does cause harmful interference to radio or television reception, which can be determined by turning the equipment off and on, the user is encouraged to try to correct the interference by one or more of the following measures:

- Reorient or relocate the receiving antenna.
- Increase the separation between the equipment and receiver.
- Connect the equipment into an outlet on a circuit different from that to which the receiver is connected
- Consult the dealer or an experienced radio/TV technician for help.

Use of Trademarks, Registered Trademarks, and other Protected Names and Symbols

This manual may make reference to trademarks, registered trademarks, and other protected names and/or symbols of third-party companies not related in any way to StarTech.com. Where they occur these references are for illustrative purposes only and do not represent an endorsement of a product or service by StarTech.com, or an endorsement of the product(s) to which this manual applies by the third-party company in question. Regardless of any direct acknowledgement elsewhere in the body of this document, StarTech.com hereby acknowledges that all trademarks, registered trademarks, service marks, and other protected names and/or symbols contained in this manual and related documents are the property of their respective holders.

Table of Contents

Introduction	1
Features	1
System Requirements	1
Package Contents	1
Operating Controls and Functions	2
Connection and Installation	3
Accessory Products from StarTech.com	4
Specifications	5
Technical Support	5
Warranty Information	5

Introduction

Thank you for purchasing a StarTech.com UTP HDMI Extension Transmitter. A perfect solution for extending video and audio through an HDMI cable by up to 250m (800') when used in conjunction with ST121HDMR250 Receiver, ST121HDMIT maintains superb video resolutions up to 1080p - making it perfect for high definition content delivery in digital signage applications (retail, education, hospitality). Plus, the HDMI extender can be used with any DVI-D source or display, using one of our HDMI to DVI cables.

Features

- Compliant with HDMI 1.2 and HDCP 1.1 standards
- Quick and easy installation
- Supports a maximum resolution of up to 1080p

System requirements:

- An available power outlet (plus an additional power outlet for receiver)
- An HDMI A/V signal source
- HDMI cable: Required between signal source and transmitter, receiver and input device (display)
- CAT 5 cable: Required between Transmitter and Receiver units
- ST121HDMR50 or ST121HDMR250 Receiver

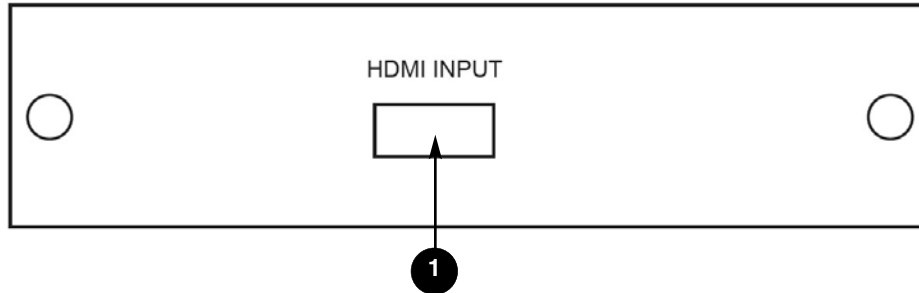
Package contents:

This package should contain:

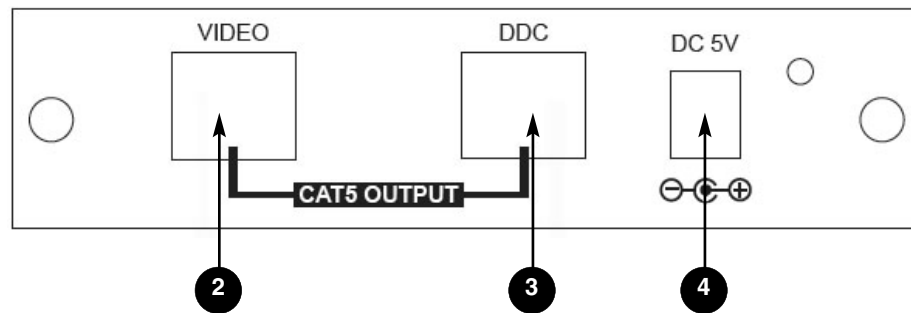
- 1 x HDMI Extender Transmitter Unit
- 1 x Power Adapter
- 1 x Instruction Manual

Operating Controls and Functions

Front Panel

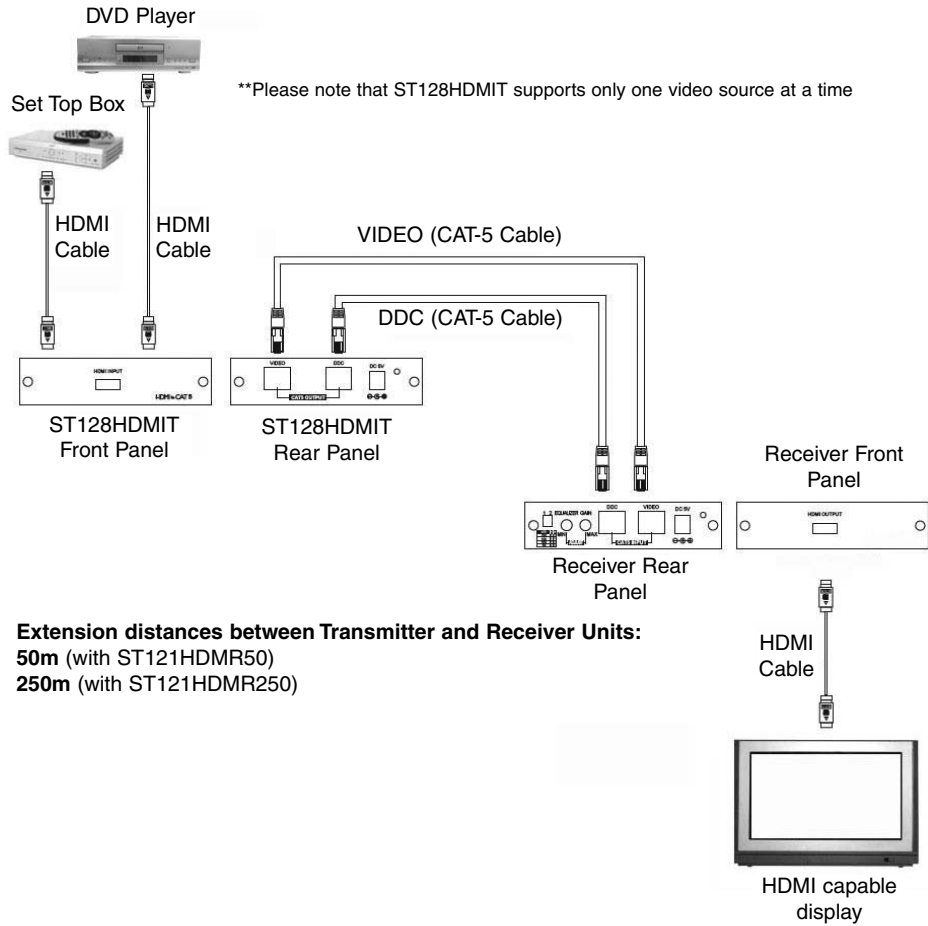


Rear Panel



- 1** **HDMI INPUT:** Connect the HDMI input port to the HDMI or DVI output of your source equipment such as DVD player or set-top-box
- 2** **VIDEO OUTPUT:** Connect the VIDEO output to the VIDEO input of the receiver unit using CAT-5/CAT-5E/CAT-6 cable
- 3** **DDC OUTPUT:** Connect the DDC output to the DDC input of the receiver unit using CAT-5/CAT-5E/CAT-6 cable
- 4** **Power Input:** Plug the 5VDC power supply into the unit and connect the adapter to AC wall outlet

Connection and Installation



Extension distances between Transmitter and Receiver Units:
50m (with ST121HDMR50)
250m (with ST121HDMR250)

Accessory Products from StarTech.com

Contact your local StarTech.com dealer or visit www.startech.com for cables or other accessories that will help you get the best performance out of your new product.

ST121HDMR50

Converge AV HDMI Over CAT 5 Receiver (50m Extension)

ST121HDMR250

Converge AV HDMI Over CAT 5 Receiver (250m Extension)

M45PATCH25BL

25 ft Blue Molded Category 5e (350 MHz) UTP Patch Cable

M45PATCH50BL

50 ft Blue Molded Category 5e (350 MHz) UTP Patch Cable

HDMIMM6

6ft HDMI to HDMI Digital Video Cable

HDMIMM10

10ft HDMI to HDMI Digital Video Cable

HDMIDVIMM6

6ft HDMI to DVI Digital Video Cable (**Required for use with DVI Source/Display**)

HDMIDVIMM10

10ft HDMI to DVI Digital Video Cable (**Required for use with DVI Source/Display**)

Specifications

Supported resolutions	HDMI - 480i/480p, 576i/576p, 720P@50/60Hz, 1080i@50/60Hz, 1080p@50/60Hz
Input	1 x HDMI female port
Output	1 CAT-5 output for VIDEO, 1 CAT-5 output for DDC
Power	5V DC power supply
Dimensions	123(W) x 125(D) x 30(H)mm
Weight	700g
Regulatory Certifications	FCC, CE, ROHS, WEEE

Technical Support

StarTech.com's lifetime technical support is an integral part of our commitment to provide industry-leading solutions. If you ever need help with your product, visit www.startech.com/support and access our comprehensive selection of online tools, documentation, and downloads.

Warranty Information

This product is backed by a one-year warranty. In addition, StarTech.com warrants its products against defects in materials and workmanship for the periods noted, following the initial date of purchase. During this period, the products may be returned for repair, or replacement with equivalent products at our discretion. The warranty covers parts and labor costs only. StarTech.com does not warrant its products from defects or damages arising from misuse, abuse, alteration, or normal wear and tear.

Limitation of Liability

In no event shall the liability of StarTech.com Ltd. and StarTech.com USA LLP (or their officers, directors, employees or agents) for any damages (whether direct or indirect, special, punitive, incidental, consequential, or otherwise), loss of profits, loss of business, or any pecuniary loss, arising out of or related to the use of the product exceed the actual price paid for the product. Some states do not allow the exclusion or limitation of incidental or consequential damages. If such laws apply, the limitations or exclusions contained in this statement may not apply to you.

About StarTech.com

StarTech.com is “The Professionals’ Source for Hard-to-Find Computer Parts”. Since 1985, we have been providing IT professionals with the quality products they need to complete their solutions. We offer an unmatched selection of computer parts, cables, server management solutions and A/V products and serve a worldwide market through our locations in the United States, Canada, the United Kingdom and Taiwan.

Visit **www.startech.com** for complete information about all our products and to access exclusive interactive tools such as the Parts Finder and the KVM Reference Guide. StarTech.com makes it easy to complete almost any IT solution. Find out for yourself why our products lead the industry in performance, support, and value.