

## 2/4/8-Port High Resolution VGA Video Splitter

ST122PRO / ST122PROGB / ST122PROEU

ST124PRO / ST124PROGB / ST124PROEU

ST128PRO / ST128PROGB / ST128PROEU

DE: Bedienungsanleitung - de.startech.com

FR: Guide de l'utilisateur - fr.startech.com

ES: Guía del usuario - es.startech.com

IT: Guida per l'uso - it.startech.com

NL: Gebruiksaanwijzing - nl.startech.com

PT: Guia do usuário - pt.startech.com

### Packaging Contents

- 1 x VGA Video Splitter
- 1 x Power Adapter
- 4 x Rubber Feet
- 1 x Installation Guide

### System Requirements

- VGA enabled video source (i.e. computer, PVR/DVR, etc.)
- VGA enabled display device (i.e. monitor, projector, etc.)

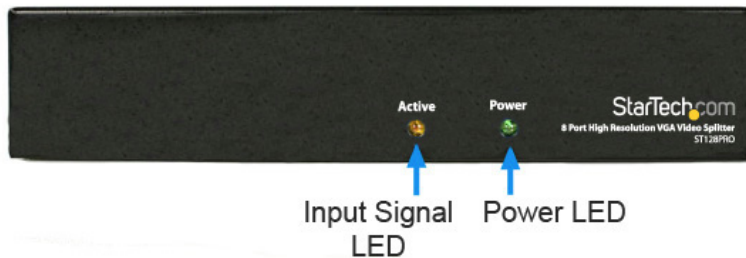
### Installation

1. With the video source device and display devices powered off, connect a male/female DE-15 VGA cable from the 'Input' connector on the splitter to the VGA video output on the source device.
2. Using high quality male/male DE-15 VGA cables, connect each display device to the Video Output connectors on the splitter.

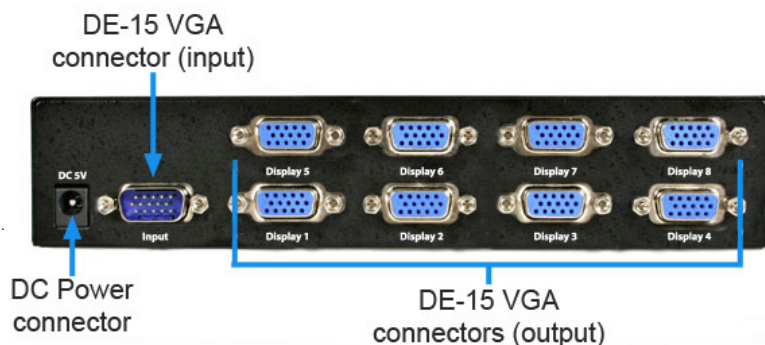
**NOTE:** Port 1 is the primary output so EDID information will be taken from there. The capabilities of the display on Port 1 will be applied to all other ports so be careful not to exceed the capabilities of the other displays.

3. Connect the included power adapter from an AC electrical outlet to the video splitter. The 'Power' LED should light up solid.
4. Power on the connected display devices, followed by the video source device. Once a valid video signal is sent to the splitter, the 'Active' LED should light up.

#### Front View



#### Rear View



\*8-Port ST128PRO shown

### Cascaded Installation

The VGA video splitter can be cascaded/daisy-chained with additional VGA video splitters for expanded capabilities, such as more ports and reaching greater distances.

1. Make sure all displays and the video source device are turned off before installing.
2. To cascade/daisy-chain multiple video splitters together, use a male/female DE-15 VGA cable to connect any one of the Video Out connectors on the primary splitter, to the 'Input' connector on the secondary splitter.
3. A video splitter can be connected to each Video Out connector on the primary splitter, if required.
4. Up to three (3) levels of cascading is supported, so connecting another video splitter to the secondary splitter is possible, allowing for up to 8 (ST122PRO), 64 (ST124PRO), or 512 (ST128PRO) video displays to be connected to a single source.

## Specifications

	ST122PRO / ST122PROGB / ST122PROEU	ST124PRO / ST124PROGB / ST124PROEU	ST128PRO / ST128PROGB / ST128PROEU
<b>Number of Ports</b>	2	4	8
<b>Video Signal</b>	VGA (RGBHV)		
<b>Connectors</b>	1 x DE-15 VGA male 2 x DE-15 VGA female 1 x 5V DC Power	1 x DE-15 VGA male 4 x DE-15 VGA female 1 x 5V DC Power	1 x DE-15 VGA male 8 x DE-15 VGA female 1 x 5V DC Power
<b>LEDs</b>	1 x Power 1 x Input Signal Detect		
<b>Maximum Video Resolution</b>	2048 x 1536 @ 80Hz	2048 x 1536 @ 80Hz	2048 x 1536 @ 80Hz
<b>Maximum Cable Distance</b>	65 m / 213 ft		
<b>Video Bandwidth</b>	350 MHz (-3dB)	350 MHz (-3dB)	300 MHz (-3dB)
<b>Audio Support</b>	No		
<b>DDC Support</b>	Yes		
<b>Operating Temperature</b>	5°C ~ 40°C (41°F ~ 104°F)		
<b>Humidity</b>	0% ~ 80% RH		
<b>Dimensions (LxWxH)</b>	180.0mm x 85.0mm x 20.0mm	180.0mm x 85.0mm x 20.0mm	196.0mm x 70.0mm x 40.0mm
<b>Weight</b>	270g	300g	1150g

### FCC Compliance Statement

This equipment has been tested and found to comply with the limits for a Class B digital device, pursuant to part 15 of the FCC Rules. These limits are designed to provide reasonable protection against harmful interference in a residential installation. This equipment generates, uses and can radiate radio frequency energy and, if not installed and used in accordance with the instructions, may cause harmful interference to radio communications. However, there is no guarantee that interference will not occur in a particular installation. If this equipment does cause harmful interference to radio or television reception, which can be determined by turning the equipment off and on, the user is encouraged to try to correct the interference by one or more of the following measures:

- Reorient or relocate the receiving antenna.
- Increase the separation between the equipment and receiver.
- Connect the equipment into an outlet on a circuit different from that to which the receiver is connected.

Consult the dealer or an experienced radio/TV technician for help.

### Use of Trademarks, Registered Trademarks, and other Protected Names & Symbols

This manual may make reference to trademarks, registered trademarks, and other protected names and/or symbols of third-party companies not related in any way to StarTech.com. Where they occur these references are for illustrative purposes only and do not represent an endorsement of a product or service by StarTech.com, or an endorsement of the product(s) to which this manual applies by the third-party company in question. Regardless of any direct acknowledgement elsewhere in the body of this document, StarTech.com hereby acknowledges that all trademarks, registered trademarks, service marks, and other protected names and/or symbols contained in this manual and related documents are the property of their respective holders.

### Technical Support

StarTech.com's lifetime technical support is an integral part of our commitment to provide industry-leading solutions. If you ever need help with your product, visit [www.startech.com/support](http://www.startech.com/support) and access our comprehensive selection of online tools, documentation, and downloads.

### Warranty Information

This product is backed by a two year warranty.

In addition, StarTech.com warrants its products against defects in materials and workmanship for the periods noted, following the initial date of purchase. During this period, the products may be returned for repair, or replacement with equivalent products at our discretion. The warranty covers parts and labor costs only. StarTech.com does not warrant its products from defects or damages arising from misuse, abuse, alteration, or normal wear and tear.

### Limitation of Liability

In no event shall the liability of StarTech.com Ltd. and StarTech.com USA LLP (or their officers, directors, employees or agents) for any damages (whether direct or indirect, special, punitive, incidental, consequential, or otherwise), loss of profits, loss of business, or any pecuniary loss, arising out of or related to the use of the product exceed the actual price paid for the product. Some states do not allow the exclusion or limitation of incidental or consequential damages. If such laws apply, the limitations or exclusions contained in this statement may not apply to you.