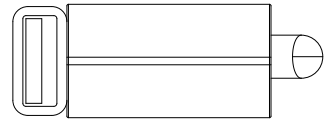
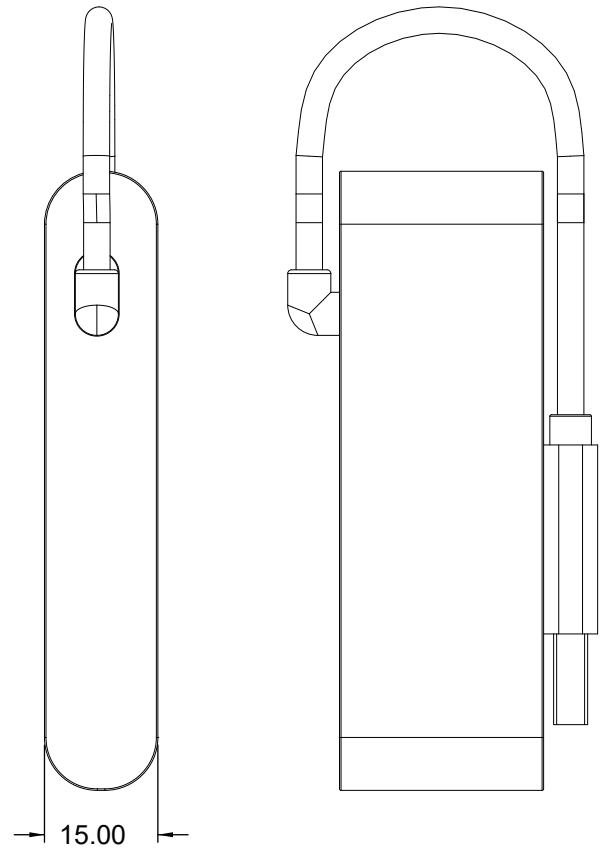
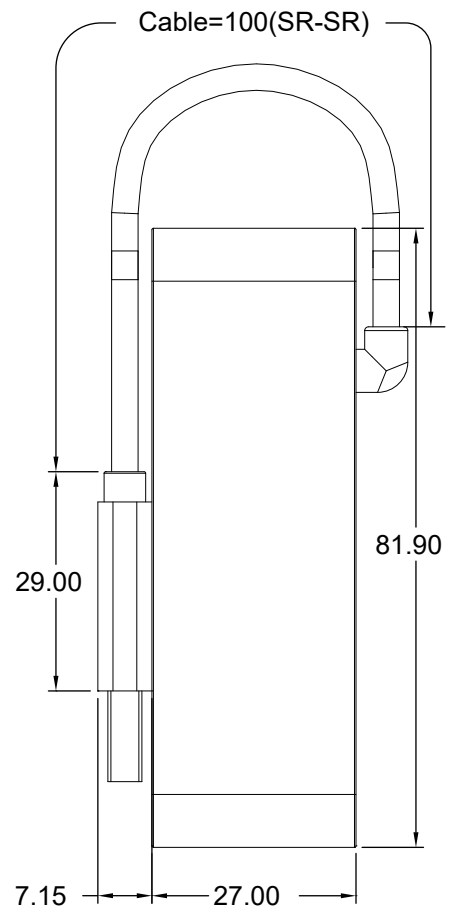
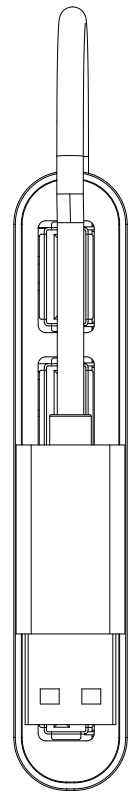
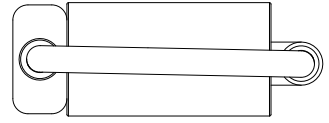
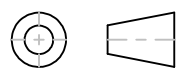


8 7 6 5 4 3 2 1

F E D C B A



THIRD ANGLE PROJECTION



GENERAL NOTES

DIMENSIONS ARE IN MM - DO NOT SCALE

THIS DOCUMENT CONTAINS CONFIDENTIAL, PROPRIETARY INFORMATION THAT IS PROPERTY OF STARTECH.COM

StarTech.com

| | | | |
|---------------------|---|-------------------------------|--|
| PRODUCT ID | ST4200MINI2 | | |
| DESCRIPTION | 4-Port Portable USB 2.0 Hub with Built-in Cable | | |
| DO NOT SCALE | SHEET: 1 OF: 1 | UPLOAD DATE: 1/11/2021 | |

8 7 6 5 4 3 2 1