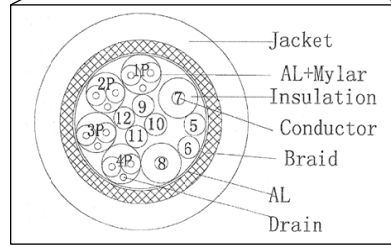
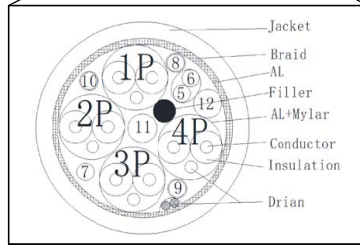
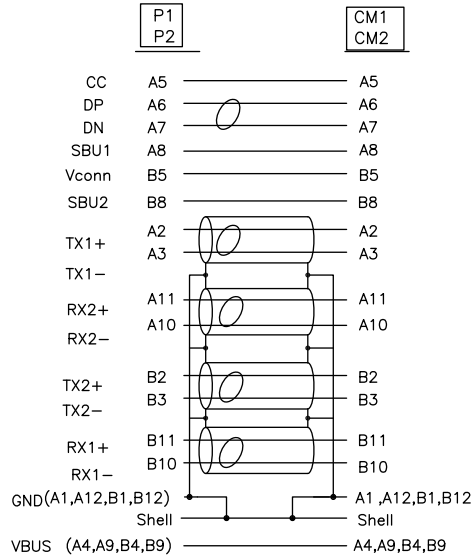
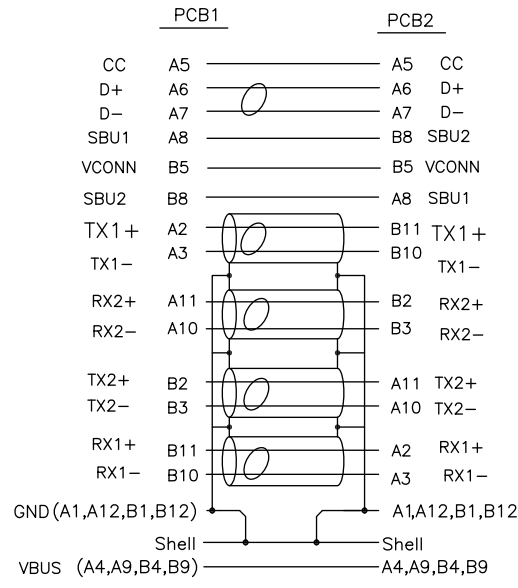


Pin Assignment

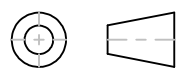


Pin Assignment



14	Tube~ $\phi$ 0.8MM
13	copper foil W=5MM 25u
12	copper foil W=3MM 25u
11	Clamp~34+34+24+34AWG
10	Clamp~29+30+34+22+34AWG
9	LDPE
8	PVC~60P~BLACK
7	PCB+SMT
6	upper tinplate
5	lower tinplate
4	PCB down shell~PC+ABS~black
3	PCB up shell~PC+ABS~black
2	USB Type-C Cable~Male TO Male~34+34+24AWG~OD:4.2MM~Black~Nickel Plated~L=0.38M~ABS+PVC
1	[29AWG(7/0.11TC)+EAM]*4P+[30AWG(7/0.10TC)+AM]*1P+34AWG(7/0.06TC)*1C+22AWG(17/0.165TC)*2C+34AWG(7/0.06TC+AL)*3C+A2EB(24/11/0.08TC 90%TC)~OD:6.4MM~BLACK~PVC~NO Marking
NO	DESCRIPTION

THIRD ANGLE PROJECTION



GENERAL NOTES

DIMENSIONS ARE IN MM - DO NOT SCALE  
 THIS DOCUMENT CONTAINS CONFIDENTIAL, PROPRIETARY INFORMATION THAT IS PROPERTY OF STARTECH.COM



PRODUCT ID	UCC-3M-10G-USB-CABLE
DESCRIPTION	10ft (3m) Active USB-C Cable, USB 10Gbps, 60W (3A) Power Delivery, 8K 60Hz / 4K 144Hz DP Alt Mode
DO NOT SCALE	SHEET: 1 OF: 1
	UPLOAD DATE: 5/26/2026