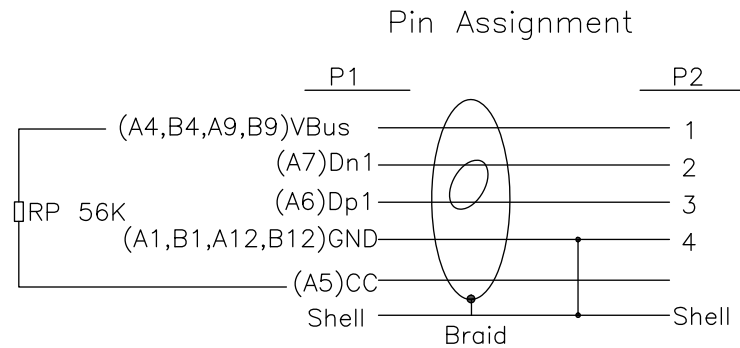


Electrical Test:  
 1.100%Test(Open ,short ,miss wire)  
 2.Contact Resistance: 3 ohm max.  
 3.Insulation Resistance: 10M ohm Min.300V DC/10ms.



|    |  |       |      |
|----|--|-------|------|
| 11 | Low pressure molding compound  | 0.5   | g    |
| 10 | USB TYPE C~upper mater cover~Nickel Plated   | 1     | pcs  |
| 9  | USB TYPE C~lower mater cover~Nickel Plated   | 1     | pcs  |
| 8  | W=5MM 25u~Double conductive copper foil  | 0.012 | m    |
| 7  | 45P Black PVC  | 3     | g    |
| 6  | LDPE   | 1     | pcs  |
| 5  | TYPEC~USB C Type Connector With~PCB+SMT~Nickel Plated  | 1     | pcs  |
| 4  | USB2.0 AM~Shell~Nickel Plated  | 16    | g    |
| 3  | USB2.0 AM Shell~Nickel Plated  | 3     | g    |
| 2  | USB2.0 AM Insulator White~PIN Gold plated  | 1     | pcs  |
| 1  | NO~UL30AWG(19/0.06TC)*2C+24AWG(26/0.1TC+250Dnylon)+3E(19/0.05TC+250Dnylon)+AB(16/9/0.06TC 95%TC)OD:3.0MM Black | 1.03  | m    |
| NO | DESCRIPTION  | Q'TY  | UNIT |

THIRD ANGLE PROJECTION

**StarTech.com**

**GENERAL NOTES**  
 DIMENSIONS ARE IN MM - DO NOT SCALE  
 THIS DOCUMENT CONTAINS CONFIDENTIAL, PROPRIETARY INFORMATION THAT IS PROPERTY OF STARTECH.COM

|                                |  |
|--------------------------------|--|
| PRODUCT ID                     | USB2AC1MR  |
| DESCRIPTION                    | USB-A to USB-C Cable - Right-Angle - M/M - 1 m (3 ft.) - USB 2.0 |
| <b>DO NOT SCALE</b>            | <b>SHEET: 1 OF: 1</b>  |
| <b>UPLOAD DATE: 04/25/2023</b> |  |