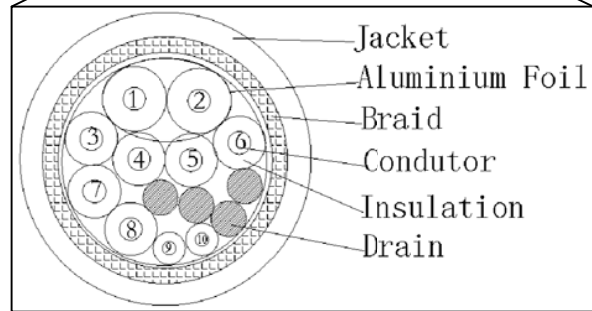
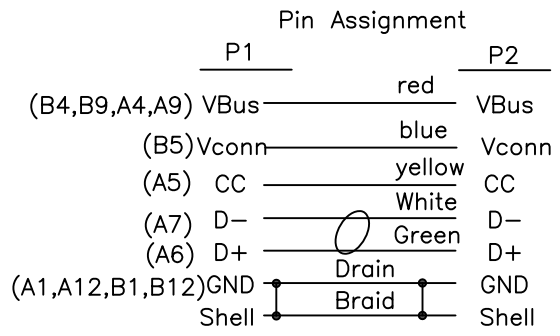


TERMINAL	CONTACT AREA PLATING Au 3u' SOLDER AREA PLATING MATTE Sn100~200u',50u'~80u'Ni	COPPER ALLOY
LATCH	CONTACT AREA PLATING NI SOLDER AREA PLATING Sn	STAINLESS STEEL
SHELL	PLARING NI 50u' min	STAINLESS STEEL
NAME	PLARING/COLOR	MATERIAL



SKU ID	Cable Length
USB2C5C2MW	2000 <sup>+30</sup> <sub>-0</sub> MM
USB2C5C4MW	4000 <sup>+40</sup> <sub>-0</sub> MM



NO	DESCRIPTION	Q'TY	UNIT
9	W=5MM 25u~Double conductive copper foil	0.24	m
8	High temperature glue~W=5MM	0.24	m
7	USB TYPE C~upper mater cover	2	pcs
6	USB TYPE C~lower mater cover	2	pcs
5	45P White TPE	16	g
4	Low pressure mold material	1	g
3	TYPEC-USB2.0 C Type Connector With~PCB+SMT~Shell Nickel Plated	1	pcs
2	TYPEC-USB2.0 C Type Connector With~Shell Nickel Plated	1	pcs
1	NO~UL~26AWG(7/0.16TC)*1P+AL+24AWG(26/0.10TC)*6C+30AWG(7/0.10TC)*2C+4E(26/0.10TC)+AB(16/9/0.10TC 85%TC)~OD:5.0MM~White TPE	L	m

THIRD ANGLE PROJECTION

# StarTech.com

<b>GENERAL NOTES</b>		PRODUCT ID	USB2C5CxMW
DIMENSIONS ARE IN MM - DO NOT SCALE		DESCRIPTION	USB-C Cable with Power Delivery (5A) - M/M - USB 2.0 - USB-IF Certified - White
THIS DOCUMENT CONTAINS CONFIDENTIAL, PROPRIETARY INFORMATION THAT IS PROPERTY OF STARTECH.COM		<b>DO NOT SCALE</b>	<b>SHEET: 1 OF: 1</b>
		<b>UPLOAD DATE: 08/12/2020</b>	