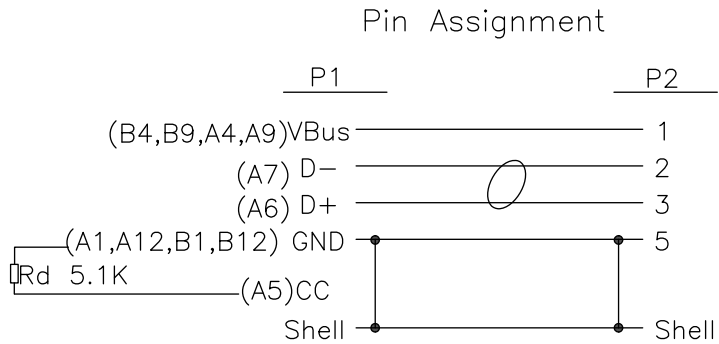


Electrical Test:
 1.100%Test(Open ,short ,miss wire)
 2.Contact Resistance: 3 ohm max.
 3.Insulation Resistance: 10M ohm Min.300V DC/10ms.



12	High temperature adhesive tape~W=5MM
11	Copper foil~W=5MM 25u
10	casing~2.5MM
9	Micro USB BM~Shell Nickel Plated~Pin Gold plated
8	LDPE
7	TYPE C~upper mater cover~Nickel Plated~T=0.15mm
6	TYPE C~lower mater cover~Nickel Plated~T=0.15mm
5	PVC~45P~Black
4	Low pressure internal mold
3	casing~1.5mm
2	USB C Type Connector With~PCB+SMT~Nickel Plated
1	NO~UL~22AWG(41/0.10TC+250DNylon)*1C+[30AWG(19/0.06TC)+A]*1P+3E(26/0.10TC)+AB(16/9/0.06TC 80%TC)OD:3.5MM~Black

THIRD ANGLE PROJECTION

GENERAL NOTES
 DIMENSIONS ARE IN MM - DO NOT SCALE

THIS DOCUMENT CONTAINS CONFIDENTIAL, PROPRIETARY INFORMATION THAT IS PROPERTY OF STARTECH.COM

StarTech.com

PRODUCT ID	USB2CUB2M
DESCRIPTION	6.6ft (2m) USB-C to Micro USB-B Cable, Data Cord
DO NOT SCALE	SHEET: 1 OF: 1
	UPLOAD DATE: 6/25/2025