

Component / VGA to HDMI® Video Converter

VGA2HD2

DE: Bedienungsanleitung - de.startech.com

FR: Guide de l'utilisateur - fr.startech.com

ES: Guía del usuario - es.startech.com

IT: Guida per l'uso - it.startech.com

NL: Gebruiksaanwijzing - nl.startech.com

PT: Guia do usuário - pt.startech.com

Packaging Contents

- 1 x PC/HD to HDMI® Converter with Audio
- 1x VGA to Component (RCA) Breakout Cable
- 1x Universal Power Adapter (US/UK/EU/AUS)

System Requirements

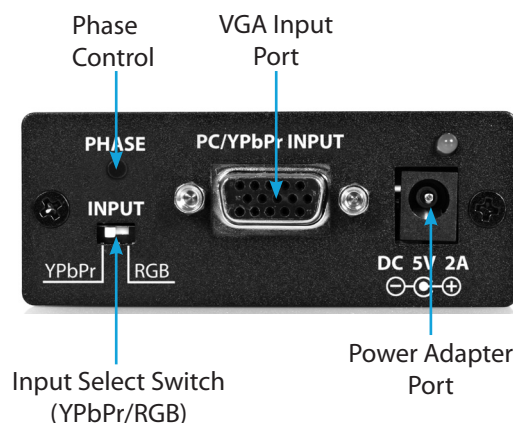
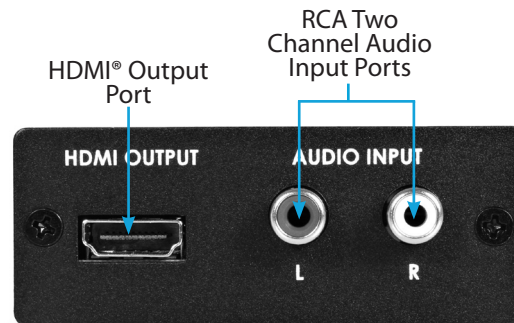
- VGA or Component (RGB/YPbPr) enabled video source device (i.e. computer, Blu-ray Player)
- HDMI® enabled video display device (i.e. television, projector)
- HDMI® Destination Cable
- VGA Source Cable for VGA Video (Component to VGA adapter included for Component Video)
- 2 Channel RCA Audio Cable (Optional)

Hardware Installation and Operation

1. Using a VGA cable, or the included VGA to Component (RCA) Breakout Cable, connect the video output source from the VGA or Component enabled video source device (i.e. computer, Blu-ray Player) to the VGA Input Port on the VGA2HD2.
2. Using an HDMI® cable, connect the HDMI® Output port on the VGA2HD2 to the HDMI® input port on the HDMI® enabled video display device (i.e. television, projector).
3. (Optional) If the input signal includes an audio source, connect the audio source device (i.e. computer, Blu-ray Player) to the RCA two channel audio input ports on the VGA2HD2 using an RCA audio cable.
4. Set the Input Select Switch to YPbPr or RGB, depending on which color space the video output device supports.

NOTE: Component devices typically support YPbPr, while VGA devices typically support RGB, check the video source device manual to confirm which color space is supported.

5. Connect the Universal Power Adapter from an available wall outlet to the Power Adapter Port on the VGA2HD2.
6. The VGA or Component video source image will now appear on the HDMI® display.



Specifications

Converter Type	Format Converter
AV Input	Component (YPbPr) VGA (RGB) Audio RCA
AV Output	HDMI
Interface	VGA
Audio	Yes
Output Signal	HDMI
Max Resolution	1080p
Wide Screen Supported	Yes

FCC Compliance Statement

This equipment has been tested and found to comply with the limits for a Class B digital device, pursuant to part 15 of the FCC Rules. These limits are designed to provide reasonable protection against harmful interference in a residential installation. This equipment generates, uses and can radiate radio frequency energy and, if not installed and used in accordance with the instructions, may cause harmful interference to radio communications. However, there is no guarantee that interference will not occur in a particular installation. If this equipment does cause harmful interference to radio or television reception, which can be determined by turning the equipment off and on, the user is encouraged to try to correct the interference by one or more of the following measures:

- Reorient or relocate the receiving antenna.
- Increase the separation between the equipment and receiver.
- Connect the equipment into an outlet on a circuit different from that to which the receiver is connected.
- Consult the dealer or an experienced radio/TV technician for help.

Use of Trademarks, Registered Trademarks, and other Protected Names and Symbols

This manual may make reference to trademarks, registered trademarks, and other protected names and/or symbols of third-party companies not related in any way to StarTech.com. Where they occur these references are for illustrative purposes only and do not represent an endorsement of a product or service by StarTech.com, or an endorsement of the product(s) to which this manual applies by the third-party company in question. Regardless of any direct acknowledgement elsewhere in the body of this document, StarTech.com hereby acknowledges that all trademarks, registered trademarks, service marks, and other protected names and/or symbols contained in this manual and related documents are the property of their respective holders.

Technical Support

StarTech.com's lifetime technical support is an integral part of our commitment to provide industry-leading solutions. If you ever need help with your product, visit www.startech.com/support and access our comprehensive selection of online tools, documentation, and downloads.

For the latest drivers/software, please visit www.startech.com/downloads

Warranty Information

This product is backed by a two year warranty.

In addition, StarTech.com warrants its products against defects in materials and workmanship for the periods noted, following the initial date of purchase. During this period, the products may be returned for repair, or replacement with equivalent products at our discretion. The warranty covers parts and labor costs only. StarTech.com does not warrant its products from defects or damages arising from misuse, abuse, alteration, or normal wear and tear.

Limitation of Liability

In no event shall the liability of StarTech.com Ltd. and StarTech.com USA LLP (or their officers, directors, employees or agents) for any damages (whether direct or indirect, special, punitive, incidental, consequential, or otherwise), loss of profits, loss of business, or any pecuniary loss, arising out of or related to the use of the product exceed the actual price paid for the product. Some states do not allow the exclusion or limitation of incidental or consequential damages. If such laws apply, the limitations or exclusions contained in this statement may not apply to you.