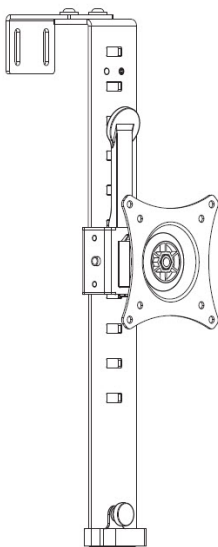


Cubicle Monitor Hanger with Height Adjustment | Silver



Actual product may vary from photos

User Manual SKU#: ARMCBCLB

For the latest information and specifications visit
www.startech.com/ARMCBCLB

Use of Trademarks, Registered Trademarks, and other Protected Names and Symbols

This manual may make reference to trademarks, registered trademarks, and other protected names and/or symbols of third-party companies not related in any way to StarTech.com. Where they occur these references are for illustrative purposes only and do not represent an endorsement of a product or service by StarTech.com, or an endorsement of the product(s) to which this manual applies by the third-party company in question. Regardless of any direct acknowledgement elsewhere in the body of this document, StarTech.com hereby acknowledges that all trademarks, registered trademarks, service marks, and other protected names and/or symbols contained in this manual and related documents are the property of their respective holders.

Warning Statements

- Make sure that you assemble this product according to the instructions.
- Do not exceed the weight capacity of this product. Overloading this product might result in injury or property damage. This product can support the following weight: 17.6 lb. (8 kg).
- This product is intended for indoor use only and should not be used outdoors.
- The mount is designed to be installed onto a cubicle wall. The wall structure should be capable of safely supporting the combined weight of the mount and the mounted equipment.

Varningsmeddelanden

- Se till att du monterar produkten i enlighet med instruktionerna.
- Överskrid inte produktens viktkapacitet. Överbelastning av produkten kan orsaka skada på person eller egendom. Denna produkt har stöd för följande vikter: 8 kg.
- Produkten är endast avsedd för användning inomhus och ska inte användas utomhus.

Avertissements

- Assemblez ce produit conformément aux instructions.
- Ne dépassez pas la capacité pondérale du produit. Une surcharge du produit peut entraîner des blessures ou des dommages matériels. Ce produit peut supporter 8 kg.
- Ce produit est uniquement destiné à une utilisation en intérieur et ne doit pas être utilisé à l'extérieur.

Warnhinweise

- Beachten Sie bei der Montage dieses Produkts die Montageanweisungen.
- Überschreiten Sie nicht die Tragkraft dieses Produkts. Ein Überladen dieses Produkts kann zu Verletzungen oder zur Beschädigung des Produkts führen. Dieses Produkt ist für folgendes Gewicht geeignet: 8 kg.
- Dieses Produkt ist nur zum Gebrauch in Innenräumen vorgesehen und sollte nicht im Freien verwendet werden.

Dichiarazioni di avvertenza

- Assicurarsi di Assemblare il prodotto secondo le istruzioni.
- Non superare la capacità di carico del prodotto. Il sovraccarico del prodotto

potrebbe causare danni o lesioni. Il prodotto è in grado di supportare i seguenti pesi: 8 kg.

- Il prodotto è destinato all'uso in ambienti interni. Se ne sconsiglia l'impiego in ambienti esterni.

Mensagens de aviso

- Certifique-se de que monta este produto de acordo com as instruções.
- Não exceda a capacidade de peso deste produto. Sobrecarregar este produto pode resultar em ferimentos ou danos de propriedade. Este produto pode suportar o seguinte peso: 8 kg.
- Este produto destina-se apenas a uma utilização no interior e não deve ser utilizado no exterior.

Advertencias de uso

- Asegúrese de ensamblar este producto según las instrucciones.
- Asegúrese de no exceder la capacidad de peso de este producto. La sobrecarga de este producto puede causar lesiones personales o daños en la propiedad. Este producto tiene capacidad para el siguiente peso: 8 kg.
- El uso de este producto es solo para interiores y no debe utilizarse en exteriores.

Waarschuwingen

- Zorg dat u dit product volgens de instructies in elkaar zet.
- Overschrijd de maximale capaciteit van dit product niet. Overbelasting van dit product kan letsel of materiële schade veroorzaken. Dit product ondersteunt het volgende gewicht: 8 kg.
- Dit product is alleen bedoeld voor binnengebruik en mag niet buiten worden gebruikt.

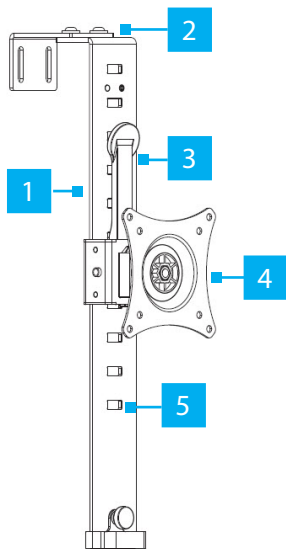
注意

- 必ず取扱説明書に従って本製品の組み立てを行って下さい。
- 本製品で定められた最大積載重量を超えないようにして下さい。最大積載重量をオーバーした場合、怪我をする恐れや器物破損の恐れがあります。本製品は、モニター1台あたり8kgまで支持できます。
- 本製品は、室内での使用を想定しています。戸外では使用しないで下さい。

Table of Contents

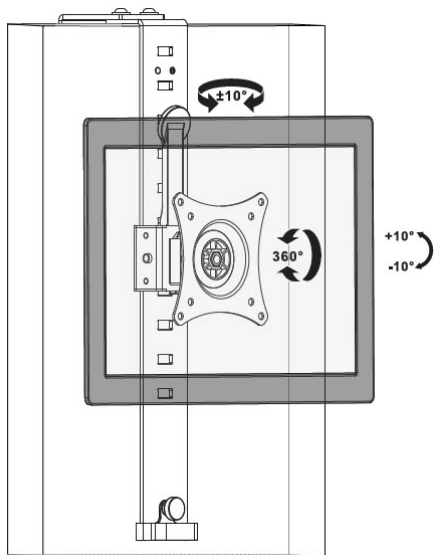
Warning Statements	2
Product Diagram	5
Product Dimensions.....	6
Product Information	9
Package Contents	9
Product Specifications.....	11
Requirements.....	12
Installation	13
Hanging the Cubicle Mount.....	13
Attaching a Monitor	15
Routing Cables.....	18
Tightening the VESA Mount	19
Making Micro Adjustments	19
Adjusting the Height of the Monitor	19

Product Diagram

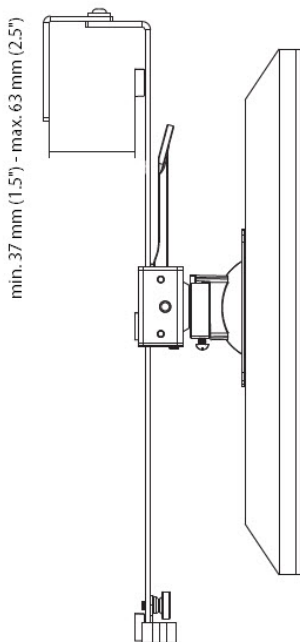


1	<i>Cubicle Mount</i>
2	<i>Adjustment Screws (x 2)</i>
3	<i>Height Adjustment Handle</i>
4	<i>VESA Mount</i>
5	<i>Height-Adjustment Holes</i>

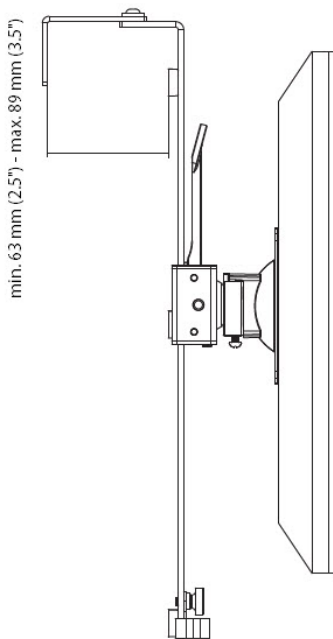
Product Dimensions



No Bracket Extension

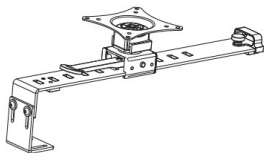


Full Bracket Extension



Product Information

Package Contents



Cubicle Mount

Qty: One



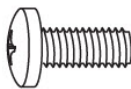
EVA Foam Pad

Qty: One



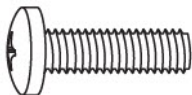
Hex Key

Qty: One



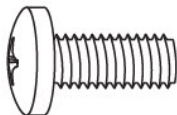
M4x12 mm Screws

Qty: Four



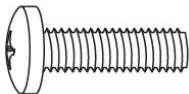
M4x16 mm Screws

Qty: Four



M5x12 mm Screws

Qty: Four



M5x16 mm Screws

Qty: Four



Washers

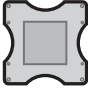



Qty: Four





Spacers

Qty: Four

Product Specifications

 VESA	75 x 75 100 x 100
 Weight	17.6 lb. (8 kg)
 Screen Size	Max. 32"
 Rotation	360°

 <p><i>Tilt</i></p>	<p>- 10° to + 10°</p>
 <p><i>Swivel</i></p>	<p>- 10° to + 10°</p>

Requirements

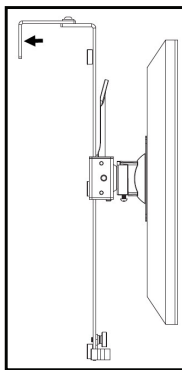
- Phillips Head Screwdriver
- Pliers

Installation

The **Cubicle Mount** is design to hang over the top of a cubicle wall.

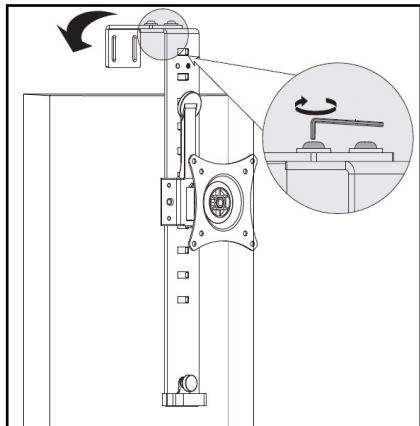
Hanging the Cubicle Mount

1. Using the **Hex Key** (included), loosen the two **Adjustment Screws** at the top of the **Cubicle Mount**, so that the **Cubicle Mount** can fit overtop of the width of a **Cubicle Wall**.
2. Cut off pieces of **EVA Padding** from the **EVA Foam Pad**. Remove the backing from the pieces of **EVA Padding** and affix the **EVA Padding** to the inside of the **Cubicle Mount**, anywhere you want the **Cubicle Mount** to fit closer to the **Cubicle Wall**. For example **EVA Padding** can be placed on the inside of the Bracket to provide a tighter fit to the **Cubicle Wall**.



EVA Padding Placement

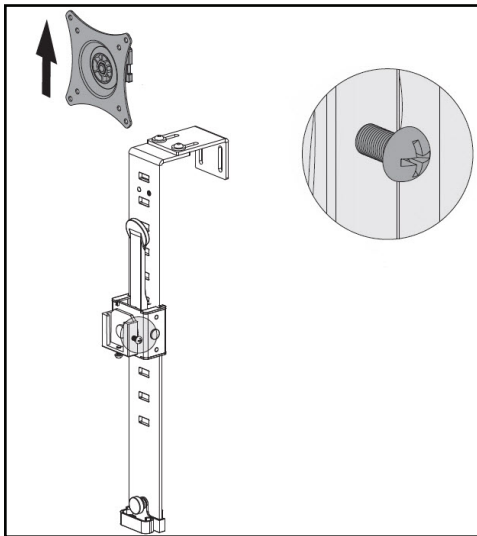
3. Slide the **Cubicle Mount** overtop of a **Cubicle Wall**, with the **VESA Mount** on the side you want to mount a monitor on.
4. When the **Cubicle Mount** is in the desired position on the **Cubicle Wall**, use the **Hex Key** (included) to re-tighten the two **Adjustment Screws** on the top of the **Cubicle Mount**.



Tightening the Adjustment Screws

Attaching a Monitor

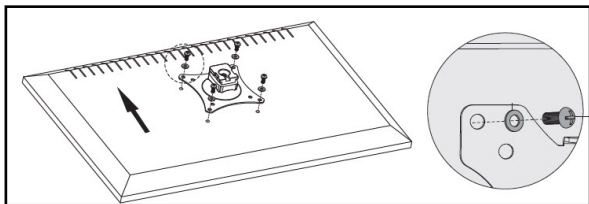
1. Using a **Phillips Head Screwdriver** (sold separately) unscrew the **VESA Mount Screw** on the side of the **VESA Mount**.
2. Pull the **VESA Mount** up to disengage the **VESA Mount** from the **Holder** on the **Cubicle Mount**.



Removing the VESA Mount

Flat Mount

1. Align the **VESA Mount** with the **Mounting Holes** on the back of the **Monitor**.
2. When the **VESA Mount** is properly aligned, align the four **Washers** with the **Holes** on the **VESA Mount**.
3. Select the most suitable mounting hardware for mounting the **Monitor**.
4. Insert four of the **Mounting Screws** (Included) through the **Washers** and **VESA Mount** and into the **Mounting Holes** on the back of the **Monitor**.

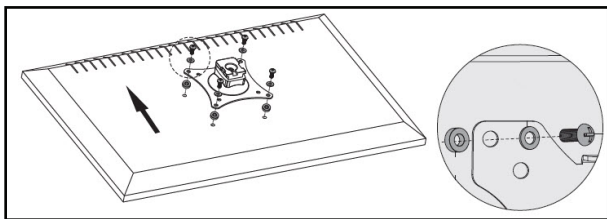


Flat Mounting the VESA Mount

5. Use a **Phillips Head Screwdriver** to tighten the screws, being careful not to over-tighten.
6. While supporting the weight of the **Monitor**, slide the **VESA Mount** overtop of the **Holder**.
7. Tighten the **VESA Mount Screw** to secure the **Monitor** in place.

Recessed Mount

1. Align the four **Spacers** with the **Mounting Holes** on the back of the **Monitor**.
1. Align the **VESA Mount** with the **Spacers** and **Mounting Holes** on the back of the **Monitor**.
2. When the **VESA Mount** is properly aligned, Align the four **Washers** with the **Holes** on the **VESA Mount**.
3. Select the most suitable mounting hardware for mounting the **Monitor**. The longer screws are intended for use with the **Spacers**.
4. Insert four of the **Mounting Screws** through the **Washers**, **VESA Monitor Mount**, and **Plastic Spacers**, and into the **Mounting Holes** on the back of the **Monitor**.



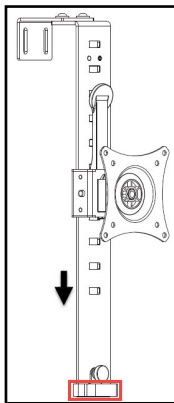
Recessed Mounting the VESA Mount

5. Use a **Phillips Head Screwdriver** to tighten the screws, being careful not to over-tighten.
6. While supporting the weight of the **Monitor**, slide the **VESA Mount** overtop of the **Holder**.

7. Tighten the **VESA Mount Screw** to secure the **Monitor** in place.

Routing Cables

- **Monitor Cables** can be routed down the **Cubicle Mount** and out through the **Cable Management Clip** located at the bottom of the **Cubicle Mount**.



Routing the Cables

Tightening the VESA Mount

If monitor adjustment are not holding in place the **Hex Screw** on the back of the **VESA Monitor Mount** will need to be tightened.

1. While supporting the weight of the **Monitor**, remove the **VESA Monitor Mount** from the **Holder** and remove the **Monitor** from the **VESA Monitor Mount** (see [Attaching a Monitor](#)).
2. Using a pair of **Pliers**, hold the **Plastic Disc** (located on the front of the **VESA Monitor Mount**) in place and tighten the **Hex Screw** (located on the back of the **VESA Monitor Mount**) using the **Hex Key**.
3. Once the **Hex Screw** is tightened, re-attach the **Monitor** and **VESA Monitor Mount**.

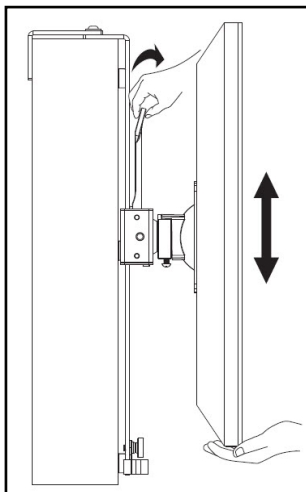
Making Micro Adjustments

- Using the **Hex Key**, turn the **Adjustment Screw** located at the bottom of the **VESA Mount** left or right to adjust the height of the **Monitor**.

Note: You can also make manual adjustments by turning the **Adjustment Knob**.

Adjusting the Height of the Monitor

1. While supporting the weight of the **Monitor**, pull the **Height Adjustment Handle** out of its current position.
2. Slide the **Monitor** up or down until the **Latch Hook** on the **Height Adjustment Handle** is aligned with the desired **Adjustment Hole**.



Adjusting the Cubicle Mount

3. Slowly release the **Height Adjustment Handle** allowing the **Latch Hook** to catch, securing the **Monitor** in place. Please ensure that the Latch Hook is properly engaged before releasing the **Monitor**.

Warranty Information

This product is backed by a five-year warranty.

For further information on product warranty terms and conditions, please refer to www.startech.com/warranty.

Limitation of Liability

In no event shall the liability of StarTech.com Ltd. and StarTech.com USA LLP (or their officers, directors, employees or agents) for any damages (whether direct or indirect, special, punitive, incidental, consequential, or otherwise), loss of profits, loss of business, or any pecuniary loss, arising out of or related to the use of the product exceed the actual price paid for the product.

Some states do not allow the exclusion or limitation of incidental or consequential damages. If such laws apply, the limitations or exclusions contained in this statement may not apply to you.

Hard-to-find made easy. At StarTech.com, that isn't a slogan. It's a promise.

StarTech.com is your one-stop source for every connectivity part you need. From the latest technology to legacy products — and all the parts that bridge the old and new — we can help you find the parts that connect your solutions.

We make it easy to locate the parts, and we quickly deliver them wherever they need to go. Just talk to one of our tech advisors or visit our website. You'll be connected to the products you need in no time.

Visit www.startech.com for complete information on all StarTech.com products and to access exclusive resources and time-saving tools.

StarTech.com is an ISO 9001 Registered manufacturer of connectivity and technology parts. StarTech.com was founded in 1985 and has operations in the United States, Canada, the United Kingdom and Taiwan servicing a worldwide market.

Reviews

Share your experiences using StarTech.com products, including product applications and setup, what you love about the products, and areas for improvement.

StarTech.com Ltd.

45 Artisans Cres.
London, Ontario
N5V 5E9
Canada

FR: startech.com/fr
DE: startech.com/de

StarTech.com LLP

2500 Creekside Pkwy.
Lockbourne, Ohio
43137
U.S.A.

ES: startech.com/es
NL: startech.com/nl

StarTech.com Ltd.

Unit B, Pinnacle
15 Gowerton Rd.,
Brackmills
Northampton
NN4 7BW
United Kingdom

IT: startech.com/it
JP: startech.com/jp