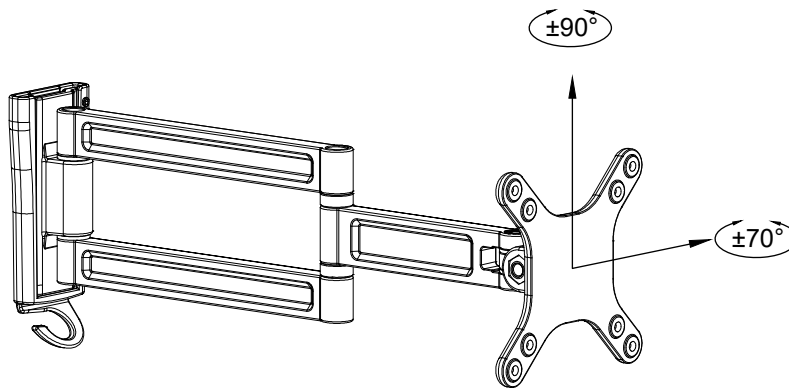
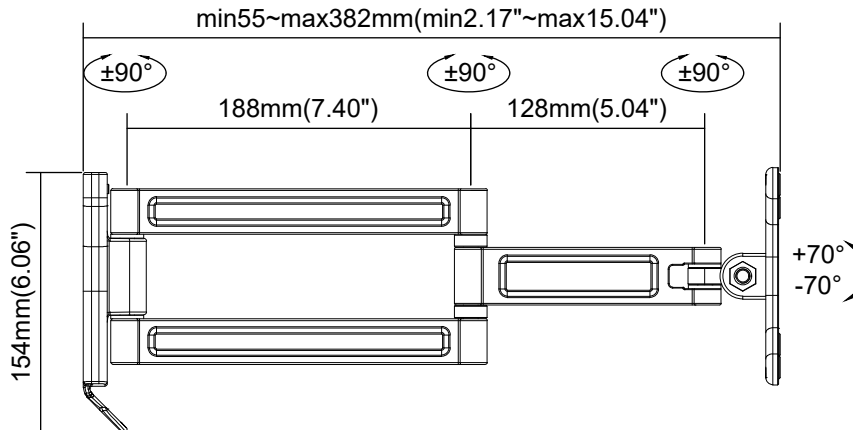
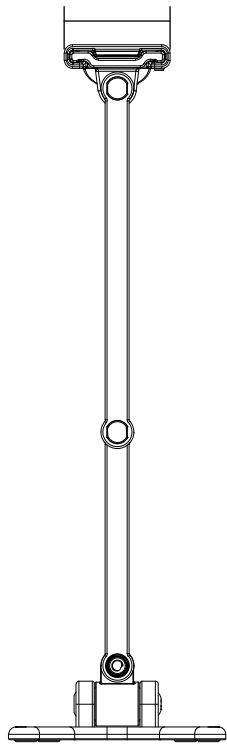
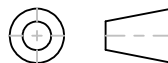


+5° -5°

58mm (2.28")



THIRD ANGLE PROJECTION



**GENERAL NOTES**

DIMENSIONS ARE IN MM - DO NOT SCALE  
 THIS DOCUMENT CONTAINS CONFIDENTIAL, PROPRIETARY INFORMATION THAT IS PROPERTY OF STARTECH.COM

**StarTech.com**

PRODUCT ID	ARMWALLDS		
DESCRIPTION	Wall-Mount Monitor Arm - Dual Swivel		
<b>DO NOT SCALE</b>	<b>SHEET: 1 OF: 1</b>	<b>UPLOAD DATE: 3/31/2021</b>	