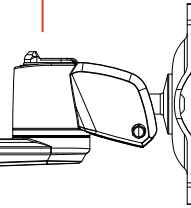
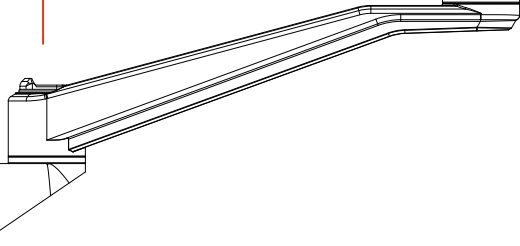
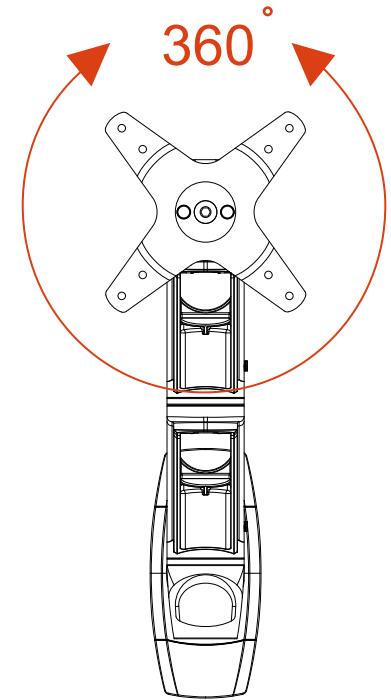




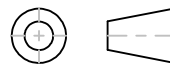
Max 260mm

Max 260mm

105°



THIRD ANGLE PROJECTION



GENERAL NOTES

DIMENSIONS ARE IN MM - DO NOT SCALE
 THIS DOCUMENT CONTAINS CONFIDENTIAL,
 PROPRIETARY INFORMATION THAT IS
 PROPERTY OF STARTECH.COM

StarTech.com

PRODUCT ID	ARMWALLDSL P		
DESCRIPTION	Articulating Ergonomic VESA Wall Mount Monitor Arm 20" (52cm) Long - Single Display up to 34 inch		
DO NOT SCALE	SHEET: 1 OF: 1	UPLOAD DATE: 12/2/2020	