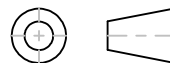


THIRD ANGLE PROJECTION

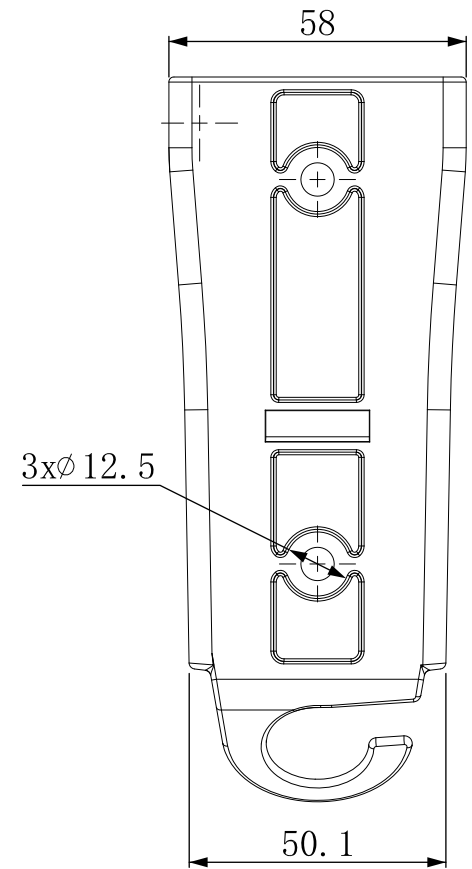
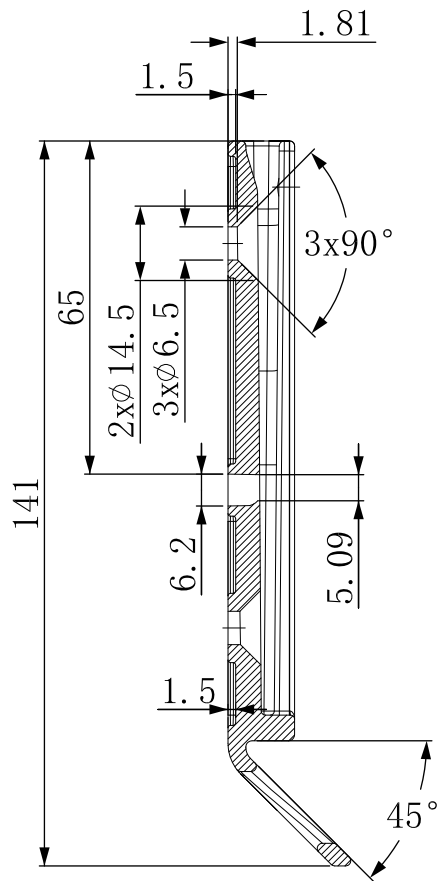
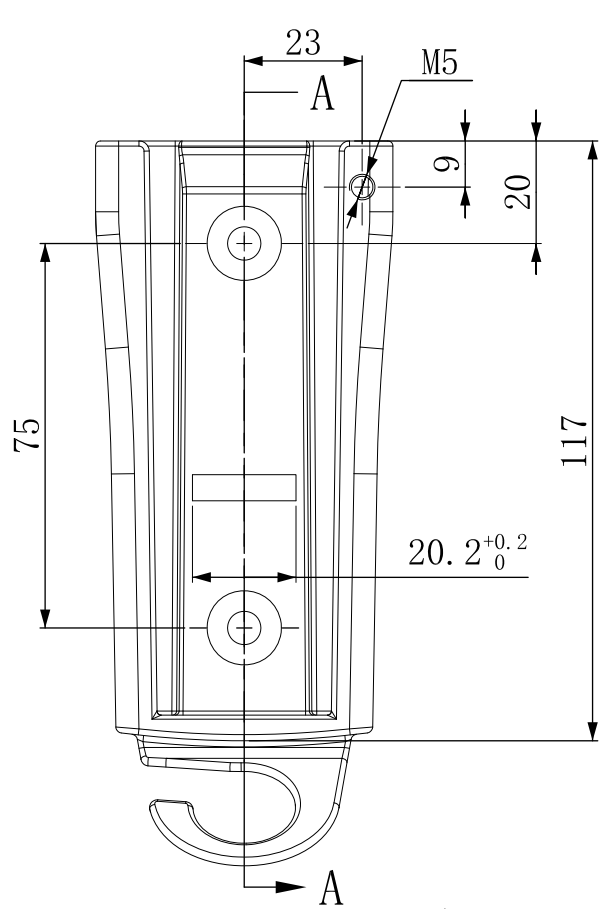


GENERAL NOTES

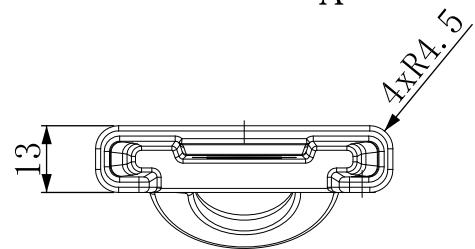
DIMENSIONS ARE IN MM - DO NOT SCALE
THIS DOCUMENT CONTAINS CONFIDENTIAL,
PROPRIETARY INFORMATION THAT IS
PROPERTY OF STARTECH.COM

StarTech.com

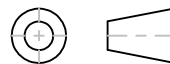
PRODUCT ID	ARMWALLS		
DESCRIPTION	Wall-Mount Monitor Arm - Single Swivel		
DO NOT SCALE	SHEET: 1 OF: 2	UPLOAD DATE: 3/29/2021	



SECTION A-A



THIRD ANGLE PROJECTION



GENERAL NOTES

DIMENSIONS ARE IN MM - DO NOT SCALE
 THIS DOCUMENT CONTAINS CONFIDENTIAL,
 PROPRIETARY INFORMATION THAT IS
 PROPERTY OF STARTECH.COM

StarTech.com

PRODUCT ID	ARMWALLS (Wall Plate Detail)		
DESCRIPTION	Wall-Mount Monitor Arm - Single Swivel		
DO NOT SCALE	SHEET: 2 OF: 2	UPLOAD DATE: 3/29/2021	