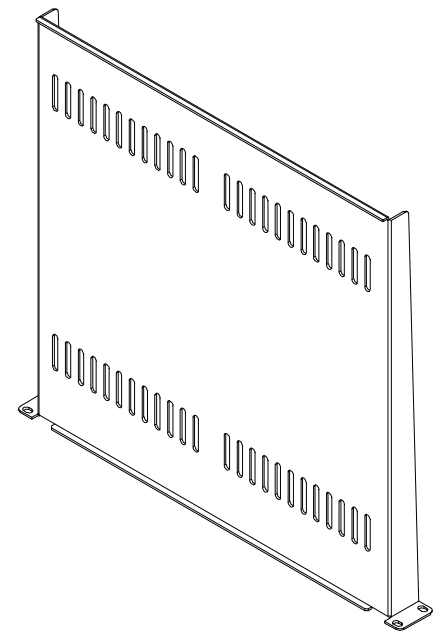
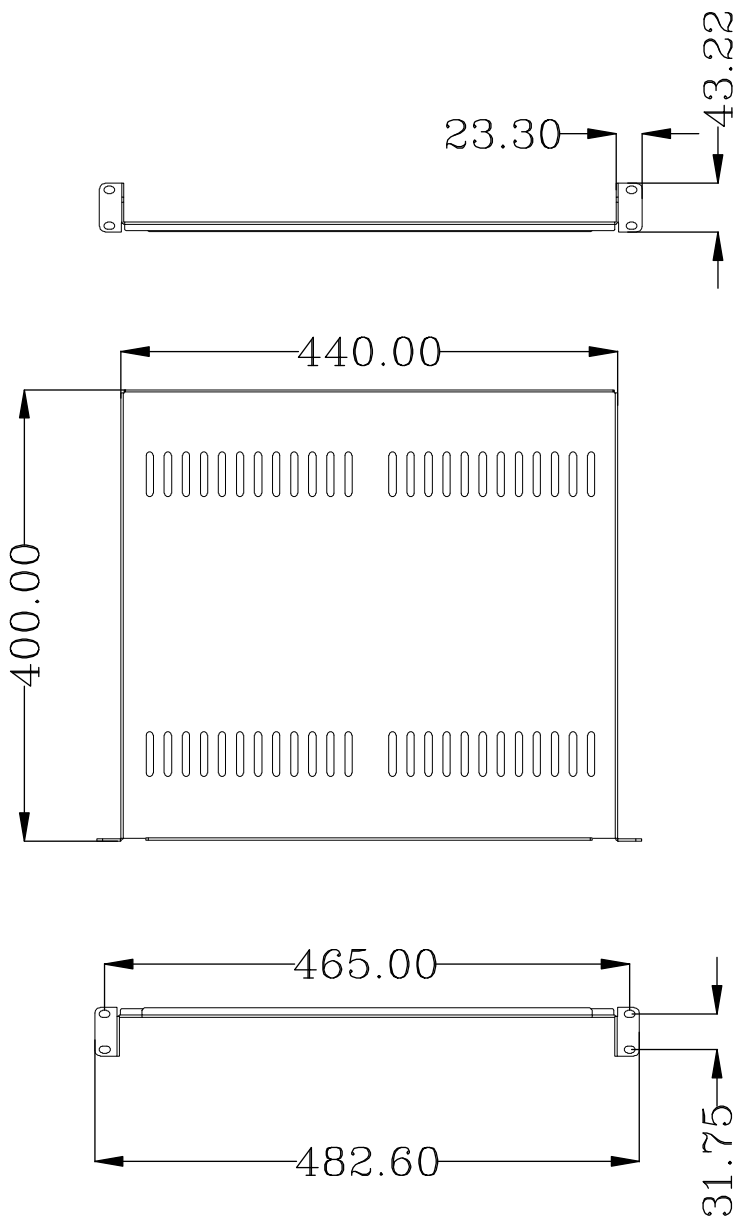
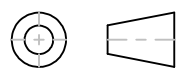


8 7 6 5 4 3 2 1

F
E
D
C
B
A



THIRD ANGLE PROJECTION



GENERAL NOTES

DIMENSIONS ARE IN MM - DO NOT SCALE
 THIS DOCUMENT CONTAINS CONFIDENTIAL, PROPRIETARY INFORMATION THAT IS PROPERTY OF STARTECH.COM

StarTech.com

PRODUCT ID	CABSHELF116V
DESCRIPTION	1U Vented Server Rack Cabinet Shelf - 16in Deep Fixed Cantilever Tray - Rackmount Shelf for 19" AV/Data/Network Equipment Enclosure with Cage Nuts & Screws - 44lbs capacity
DO NOT SCALE	SHEET: 1 OF: 1
	UPLOAD DATE: 4/13/2021

8 7 6 5 4 3 2 1