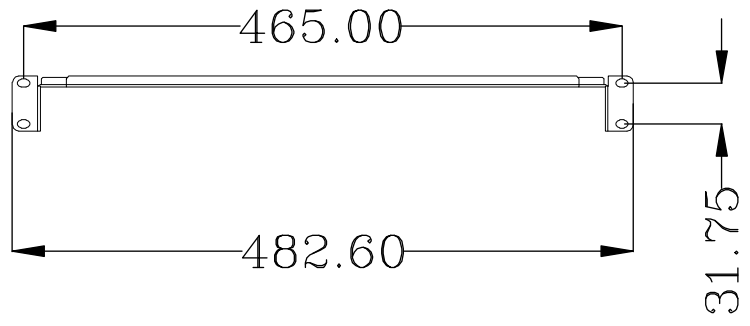
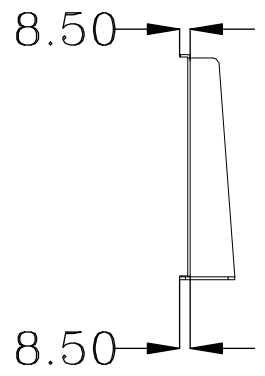
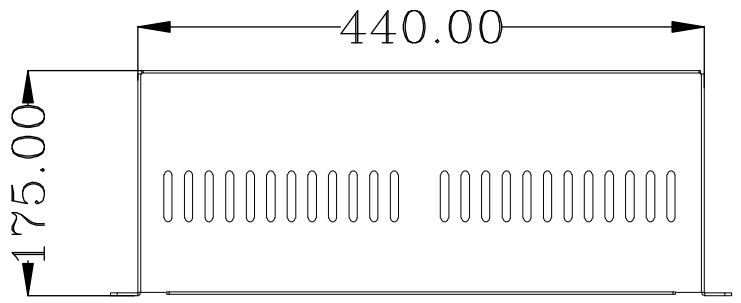
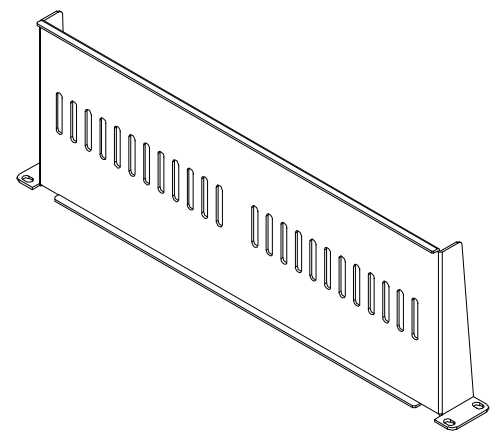
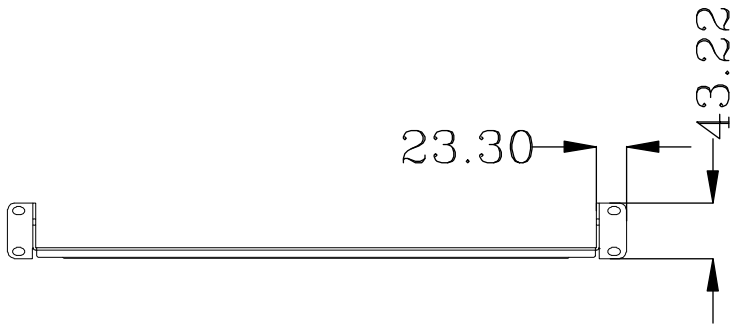
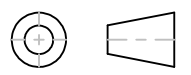


8 7 6 5 4 3 2 1

F  
E  
D  
C  
B  
A



THIRD ANGLE PROJECTION



**GENERAL NOTES**

DIMENSIONS ARE IN MM - DO NOT SCALE  
THIS DOCUMENT CONTAINS CONFIDENTIAL, PROPRIETARY INFORMATION THAT IS PROPERTY OF STARTECH.COM



PRODUCT ID	CABSHELF1U7V
DESCRIPTION	1U Vented Server Rack Cabinet Shelf - 7in Deep Fixed Cantilever Tray - Rackmount Shelf for 19" AV/Data/Network Equipment Enclosure with Cage Nuts & Screws - 44lbs capacity
<b>DO NOT SCALE</b>	<b>SHEET: 1 OF: 1</b>
	<b>UPLOAD DATE: 4/13/2021</b>

8 7 6 5 4 3 2 1