

# Component and Toslink to HDMI Converter

CPNTTOSHDMI

Instruction Manual



Actual product may vary from photo

**CONVERGEAV**

**StarTech.com**  
Making hard-to-find easy!

## **FCC Compliance Statement**

This equipment has been tested and found to comply with the limits for a Class B digital device, pursuant to part 15 of the FCC Rules. These limits are designed to provide reasonable protection against harmful interference in a residential installation. This equipment generates, uses and can radiate radio frequency energy and, if not installed and used in accordance with the instructions, may cause harmful interference to radio communications. However, there is no guarantee that interference will not occur in a particular installation. If this equipment does cause harmful interference to radio or television reception, which can be determined by turning the equipment off and on, the user is encouraged to try to correct the interference by one or more of the following measures:

- Reorient or relocate the receiving antenna.
- Increase the separation between the equipment and receiver.
- Connect the equipment into an outlet on a circuit different from that to which the receiver is connected
- Consult the dealer or an experienced radio/TV technician for help.

## **Use of Trademarks, Registered Trademarks, and other Protected Names and Symbols**

This manual may make reference to trademarks, registered trademarks, and other protected names and/or symbols of third-party companies not related in any way to StarTech.com. Where they occur these references are for illustrative purposes only and do not represent an endorsement of a product or service by StarTech.com, or an endorsement of the product(s) to which this manual applies by the third-party company in question. Regardless of any direct acknowledgement elsewhere in the body of this document, StarTech.com hereby acknowledges that all trademarks, registered trademarks, service marks, and other protected names and/or symbols contained in this manual and related documents are the property of their respective holders.

# Table of Contents

<b>Introduction</b> .....	<b>1</b>
Features .....	1
System Requirements .....	1
Package Contents .....	1
<b>Operating Controls and Functions</b> .....	<b>2</b>
<b>Connection and Installation</b> .....	<b>3</b>
<b>Accessory Products from StarTech.com</b> .....	<b>3</b>
<b>Specifications</b> .....	<b>4</b>
<b>Technical Support</b> .....	<b>4</b>
<b>Warranty Information</b> .....	<b>4</b>

## Introduction

Thank you for purchasing a StarTech.com Component and Toslink to HDMI Converter. A perfect solution for consolidating A/V connections into a single, convenient HDMI connection, CPNTTOS2HDMI allows you to connect the YCbCr/YPbPr output from a DVD or Set-top box to an HDMI capable display, and features optimized bandwidth capability to provide HDTV resolutions of up to 1080p.

### Features

- Compliant with HDMI 1.2
- Quick and easy installation
- Supports a maximum display resolution of up to 1080p

### System requirements:

- An available power outlet
- A Toslink Audio Source
- A YCbCr/YPbPr Video Source
- HDMI cable: Required between converter and display

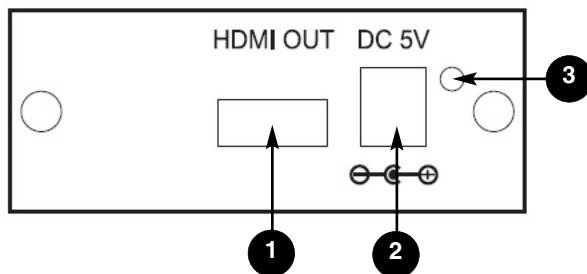
### Package contents:

*This package should contain:*

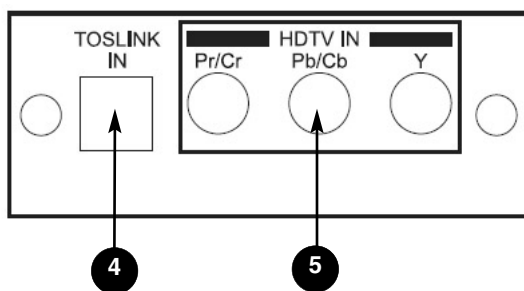
- 1 x Component Video + Toslink to HDMI Converter
- 1 x Power Adapter
- 1 x Instruction Manual

# Operating Controls and Functions

## Front Panel

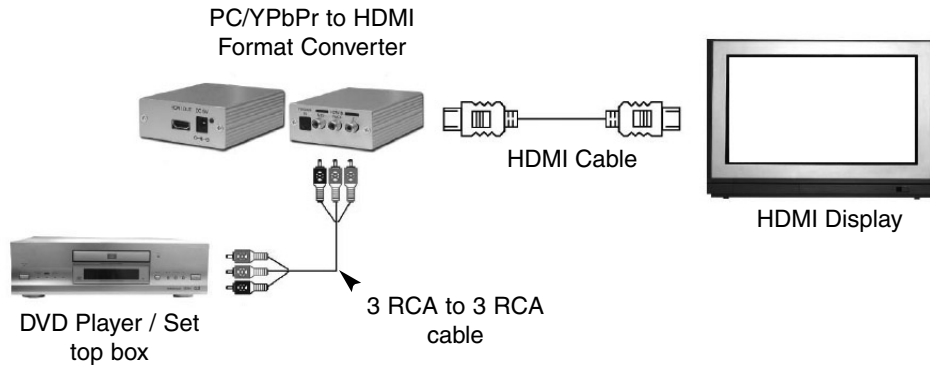


## Rear Panel



- 1** **HDMI Output Connector:** Connect to the HDMI input of your display using HDMI Cable
- 2** **DC Power Supply:** 5V (1A)
- 3** **Power LED Light**
- 4** **Toslink digital audio input:** Connects the Toslink output of your DVD or STB
- 5** **Analog YPbPr/YCbCr input connector:** Connects to the YPbPr or YCbCr output of your DVD or STB.

## Connection and Installation



## Accessory Products from StarTech.com

Contact your local StarTech.com dealer or visit [www.startech.com](http://www.startech.com) for cables or other accessories that will help you get the best performance out of your new product.

### **HDMIMM6**

6ft HDMI to HDMI Digital Video Cable

### **HDMIMM10**

10ft HDMI to HDMI Digital Video Cable

### **ZENTOS1**

Cable ZEN 3.3 ft (1m) Toslink Audio Cable

### **ZENTOS2**

Cable ZEN 6.6 ft (2m) Toslink Audio Cable

### **ZENTOS3**

Cable ZEN 9.8 ft (3m) Toslink Audio Cable

### **ZENTOS3**

Cable ZEN 9.8 ft (3m) Toslink Audio Cable

### **ZENTOS4**

Cable ZEN 13.1 ft (4m) Toslink Audio Cable

## Specifications

<b>Power</b>	5V 1A Center positive
<b>HD Input</b>	Analog YCbCr/YPbPr through 3 RCA Connectors
<b>Input Signal</b>	1 Vp-p 75 $\Omega$ , Cb/Cr or Pb/Pr: 0.7 Vp-p, 75 $\Omega$
<b>Audio Input</b>	Digital Toslink audio
<b>Operating Frequency</b>	Up to 165MHz
<b>Dimensions</b>	76(W) x 30(H) x 105(D)mm
<b>Regulatory Certifications</b>	FCC, CE, ROHS, WEEE

### Technical Support

StarTech.com's lifetime technical support is an integral part of our commitment to provide industry-leading solutions. If you ever need help with your product, visit [www.startech.com/support](http://www.startech.com/support) and access our comprehensive selection of online tools, documentation, and downloads.

### Warranty Information

This product is backed by a one-year warranty. In addition, StarTech.com warrants its products against defects in materials and workmanship for the periods noted, following the initial date of purchase. During this period, the products may be returned for repair, or replacement with equivalent products at our discretion. The warranty covers parts and labor costs only. StarTech.com does not warrant its products from defects or damages arising from misuse, abuse, alteration, or normal wear and tear.

### Limitation of Liability

In no event shall the liability of StarTech.com Ltd. and StarTech.com USA LLP (or their officers, directors, employees or agents) for any damages (whether direct or indirect, special, punitive, incidental, consequential, or otherwise), loss of profits, loss of business, or any pecuniary loss, arising out of or related to the use of the product exceed the actual price paid for the product. Some states do not allow the exclusion or limitation of incidental or consequential damages. If such laws apply, the limitations or exclusions contained in this statement may not apply to you.

## **About StarTech.com**

StarTech.com is “The Professionals’ Source for Hard-to-Find Computer Parts”. Since 1985, we have been providing IT professionals with the quality products they need to complete their solutions. We offer an unmatched selection of computer parts, cables, server management solutions and A/V products and serve a worldwide market through our locations in the United States, Canada, the United Kingdom and Taiwan.

Visit **[www.startech.com](http://www.startech.com)** for complete information about all our products and to access exclusive interactive tools such as the Parts Finder and the KVM Reference Guide. StarTech.com makes it easy to complete almost any IT solution. Find out for yourself why our products lead the industry in performance, support, and value.