

## Digital Signage Display Kiosk | Portrait | Lockable



*Actual product may vary from photos*

### User Manual SKU#: DSIGNAGESTND

For the latest information and specifications visit  
[www.startech.com/DSIGNAGESTND](http://www.startech.com/DSIGNAGESTND)

---

## **Use of Trademarks, Registered Trademarks, and other Protected Names and Symbols**

This manual may make reference to trademarks, registered trademarks, and other protected names and/or symbols of third-party companies not related in any way to StarTech.com. Where they occur these references are for illustrative purposes only and do not represent an endorsement of a product or service by StarTech.com, or an endorsement of the product(s) to which this manual applies by the third-party company in question. Regardless of any direct acknowledgement elsewhere in the body of this document, StarTech.com hereby acknowledges that all trademarks, registered trademarks, service marks, and other protected names and/or symbols contained in this manual and related documents are the property of their respective holders.

## Safety Statements

### Safety Measures

- Cables (including power and charging cables) should be placed and routed to avoid creating electric, tripping or safety hazards.

### Mesures de sécurité

- Les câbles (y compris les câbles d'alimentation et de chargement) doivent être placés et acheminés de façon à éviter tout risque électrique, de chute ou de sécurité

### 安全対策

- ケーブル(電源ケーブルと充電ケーブルを含む)は、適切な配置と引き回しを行い、電気障害やつまづきの危険性など、安全上のリスクを回避するようにしてください。

### Misure di sicurezza

- I cavi (inclusi i cavi di alimentazione e di ricarica) devono essere posizionati e stesi in modo da evitare pericoli di inciampo, rischi di scosse elettriche o pericoli per la sicurezza.

### Säkerhetsåtgärder

- Kablar (inklusive elkablar och laddningskablar) ska dras och placeras på så sätt att risk för snubblingsolyckor och andra olyckor kan undvikas.

## Warning Statements

- Make sure that you assemble this product according to the instructions.
- Do not exceed the weight capacity of this product. Overloading this product might result in injury or property damage. This product can support the following weight: 176 lb. (80 kg).
- This product is intended for indoor use only and should not be used outdoors.
- This enclosure is extremely heavy. Never attempt to move or lift this enclosure without assistance.
- Tipping hazard! This product is freestanding and inherently unstable especially when equipment is mounted. Therefore, it must be securely attached to the floor using the supplied or appropriate anchoring hardware.
- Keep liquid away from this enclosure.
- The floor anchoring hardware included with this product is designed for solid concrete floors. If you lack the necessary expertise to determine the suitability of the provided hardware for your floor, or how to safely anchor this product, contact a construction professional to anchor the stand or to provide specific instructions for your floor type.

## Varningsmeddelanden

- Se till att du monterar produkten i enlighet med instruktionerna.
- Överskrid inte produktens viktkapacitet. Överbelastning av produkten kan orsaka skada på person eller egendom. Denna produkt har stöd för följande vikter: 80 kg.
- Produkten är endast avsedd för användning inomhus och ska inte användas utomhus.
- Detta skåp är extremt tungt. Försök aldrig flytta på skåpet eller lyfta det utan hjälp.
- Risk för vältning!
- Håll vätskor borta från skåpet.

## Avertissements

- Assemblez ce produit conformément aux instructions.
- Ne dépassez pas la capacité pondérale du produit. Une surcharge du produit peut entraîner des blessures ou des dommages matériels. Ce produit peut supporter 80 kg.
- Ce produit est uniquement destiné à une utilisation en intérieur et ne doit pas être utilisé à l'extérieur.

- Ce rack de serveur est extrêmement lourd. Ne tentez jamais de le déplacer ou de le soulever sans aide.
- Risque de basculement ! Ce produit est autoportant et intrinsèquement instable, surtout lorsque l'équipement est monté. Il doit donc être solidement fixé au plancher à l'aide du matériel d'ancrage fourni ou approprié.
- N'approchez aucun liquide du rack de serveur.
- Le matériel d'ancrage au sol inclus avec ce produit est conçu pour les planchers en béton massif. Si vous manquez l'expertise nécessaire pour déterminer si le matériel fourni convient à votre plancher ou comment ancrer ce produit en toute sécurité, contactez un professionnel de la construction pour l'ancrer ou pour vous donner des instructions spécifiques à votre type de plancher.

## Warnhinweise

- Beachten Sie bei der Montage dieses Produkts die Montageanweisungen.
- Überschreiten Sie nicht die Tragkraft dieses Produkts. Ein Überladen dieses Produkts kann zu Verletzungen oder zur Beschädigung des Produkts führen. Dieses Produkt ist für folgendes Gewicht geeignet: 80 kg.
- Dieses Produkt ist nur zum Gebrauch in Innenräumen vorgesehen und sollte nicht im Freien verwendet werden.
- Dieses Gehäuse ist extrem schwer. Versuchen Sie niemals, dieses Gehäuse ohne Hilfe zu bewegen oder anzuheben.
- Kippgefahr! Dieses Produkt ist freistehend und von Natur aus instabil, insbesondere wenn Geräte darin montiert sind. Daher muss es mit den mitgelieferten oder geeigneten Verankerungselementen sicher am Boden befestigt werden.
- Halten Sie Flüssigkeiten von diesem Gehäuse fern.
- Das mit diesem Produkt gelieferte Befestigungsmaterial für die Bodenverankerung ist für massive Betonböden ausgelegt. Wenn Sie nicht über die erforderlichen Kenntnisse verfügen, um die Eignung der mitgelieferten Hardware für Ihren Boden zu bestimmen oder um dieses Produkt sicher zu verankern, wenden Sie sich an einen Fachmann, um den Stand zu verankern oder um spezifische Anweisungen für Ihren Bodentyp zu erhalten.

## Dichiarazioni di avvertenza

- Assicurarasi di Assemblare il prodotto secondo le istruzioni.
- Non superare la capacità di carico del prodotto. Il sovraccarico del prodotto potrebbe causare danni o lesioni. Il prodotto è in grado di supportare i seguenti pesi: 80 kg.
- Il prodotto è destinato all'uso in ambienti interni. Se ne sconsiglia l'impiego in ambienti esterni.
- Il box esterno è molto pesante. Non tentare di spostarlo o sollevarlo senza assistenza.
- Pericolo di ribaltamento! Questo prodotto è indipendente e intrinsecamente instabile soprattutto quando è montata l'attrezzatura. Pertanto, deve essere fissato saldamente al pavimento utilizzando l'hardware di ancoraggio fornito/appropriato.
- Tenere il box esterno lontano dai liquidi.
- L'hardware di ancoraggio a pavimento incluso in questo prodotto è progettato per pavimenti in cemento massiccio. Se non si dispone delle competenze necessarie per determinare l'idoneità dell'hardware fornito per il proprio pavimento o su come ancorare in sicurezza questo prodotto, contattare un professionista nella costruzione per ancorare il supporto o ottenere istruzioni specifiche per il vostro tipo di pavimento.

## Advertencias de uso

- Asegúrese de ensamblar este producto según las instrucciones.
- Asegúrese de no exceder la capacidad de peso de este producto. La sobrecarga de este producto puede causar lesiones personales o daños en la propiedad. Este producto tiene capacidad para el siguiente peso: 80 kg.
- El uso de este producto es solo para interiores y no debe utilizarse en exteriores.
- La caja es extremadamente pesada. Nunca intente mover o alzar esta caja sin la debida asistencia de otra persona.
- ¡Peligro de vuelco! Este producto es autoportante y por consiguiente es inestable, especialmente cuando tenga equipo instalado. Por lo tanto, debe fijarse firmemente al suelo utilizando elementos de anclaje adecuados o los accesorios suministrados.
- Mantenga cualquier líquido lejos de la caja.
- Los anclajes para suelo incluidos con el producto están diseñados para suelos de hormigón macizo. Si usted carece de la experiencia necesaria para determinar si los accesorios suministrados son adecuados para

su piso, o no tiene el conocimiento de cómo anclar con firmeza este producto, póngase en contacto con un profesional de la construcción para su instalación o para obtener instrucciones específicas para su tipo de piso.

## Waarschuwingen

- Zorg dat u dit product volgens de instructies in elkaar zet.
- Overschrijd de maximale capaciteit van dit product niet. Overbelasting van dit product kan letsel of materiële schade veroorzaken. Dit product ondersteunt het volgende gewicht: 80 kg.
- Dit product is alleen bedoeld voor binnengebruik en mag niet buiten worden gebruikt.
- Deze behuizing is enorm zwaar. Probeer nooit deze behuizing te verplaatsen of op te tillen zonder hulp.
- Kantelgevaar! Dit product is vrijstaand en fundamenteel onstabiel, vooral wanneer het apparaat is gemonteerd. Het is daarom noodzakelijk dat dit veilig op de vloer wordt bevestigd met de meegeleverde/geschikte verankeringshardware.
- Houd vloeistof uit de buurt van deze behuizing.
- De vloer verankeringshardware meegeleverd met dit product is ontworpen voor massieve betonnen vloeren. Als u de nodige expertise niet beschikt om de geschiktheid hiervan te kunnen bepalen — of hoe u op een veilige manier dit product kunt verankeren — kunt u gerust contact opnemen met een bouwexpert om u te helpen of instructies te geven specifiek voor uw type vloer.

## 注意

- 必ず取扱説明書に従って本製品の組み立てを行って下さい。
- 本製品で定められた最大積載重量を超えないようにして下さい。最大積載重量をオーバーした場合、怪我をする恐れや器物破損の恐れがあります。本製品は、モニター1台あたり80kgまで支持できます。
- 本製品は、室内での使用を想定しています。戸外では使用しないで下さい。
- 本製品は、非常に重いエンクロージャです。絶対に一人で持ち上げたり動かしたりしないで下さい。
- 転倒注意! 本製品から複数のコンポーネントが突き出した状態にしておくとなエンクロージャが転倒する恐れがあります。転倒リスクを回避するために、エンクロージャからはコンポーネントが突き出ないようにして下さい。

- 液体物をエンクロージャに近づけないようにして下さい。
- 本製品は自立タイプのため、機器を取り付けた状態では本質的に不安定です。付属または適切な固定用金具を使って床にしっかりと固定してください。
- 付属の固定用金具を使って、コンクリート製の床に固定することができます。付属の固定用金具がお使いの床に適合するかどうか判断できなかつたり、本製品を安全に固定する方法が分からない場合は、専門の業者に本スタンドを固定してもらうか、お使いの床のタイプにふさわしい取付方法について相談して下さい。

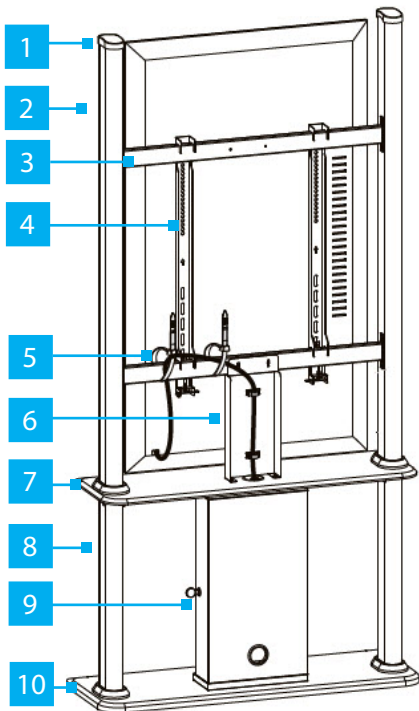


# Table of Contents

<b>Safety Statements</b> .....	<b>2</b>
<b>Warning Statements</b> .....	<b>3</b>
<b>Product Diagram</b> .....	<b>9</b>
Front View .....	9
<b>Product Information</b> .....	<b>11</b>
Package Contents .....	11
Technical Specifications.....	17
Requirements .....	17
<b>Assembling the Display Kiosk</b> .....	<b>18</b>
<b>Attaching the Display Brackets (Flush)</b> .....	<b>34</b>
<b>Attaching the Display Brackets (Recessed)</b> .....	<b>35</b>
Spacer Combinations .....	38
<b>Mounting the Display</b> .....	<b>39</b>
<b>Securing the Display Kiosk</b> .....	<b>43</b>
<b>Warranty Information</b> .....	<b>45</b>
<b>Limitation of Liability</b> .....	<b>45</b>

# Product Diagram

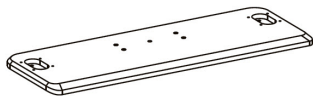
## Front View



1	<i>End Caps</i>	6	<i>Cable Bracket</i>
2	<i>Upper Column</i>	7	<i>Upper Base Board</i>
3	<i>Cross Bar</i>	8	<i>Lower Column</i>
4	<i>Display Bracket</i>	9	<i>Cabinet</i>
5	<i>Cable Ties</i>	10	<i>Lower Base Board</i>

## Product Information

### Package Contents



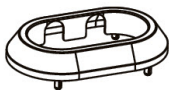
*Lower Base Board*

**Qty: 1**



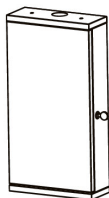
*Lower Columns*

**Qty: 2**



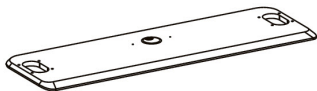
*Lower Column Caps*

**Qty: 4**



*Cabinet*

**Qty: 1**



*Upper Base Board*

**Qty: 1**



*Upper Column Left*

**Qty: 1**



*Upper Column Right*

**Qty: 1**



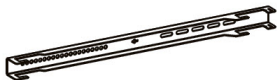
*End Caps*

**Qty: 2**



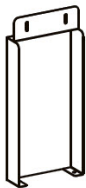
*Cross bars*

**Qty: 2**



*Display Brackets*

**Qty: 2**



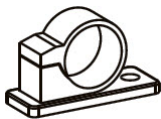
*Cable Bracket*

**Qty: 1**



*Locking Brackets*

**Qty: 2**



*Cable Clips*

**Qty: 2**



*Screw Caps*

**Qty: 2**



*M10 x 25 mm Screws*

**Qty: 4**



*M6 x 12 mm Screws*

**Qty: 10**



***M8 x 60 mm Screws***

***Qty: 4***



***M8 Nuts***

***Qty: 4***



***M6 x 15 mm Screws***

***Qty: 8***



***M6 x 35 mm Screws***

***Qty: 2***



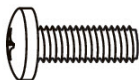
***M4 x 6 mm Screws***

***Qty: 2***



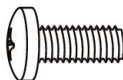
***Screws***

***Qty: 2***



***M5 x 14 mm Screws***

***Qty: 4***



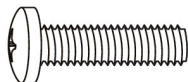
***M6 x 14 mm Screws***

***Qty: 4***



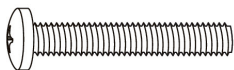
***M6 x 30 mm Screws***

**Qty: 4**



***M8 x 30 mm Screws***

**Qty: 4**



***M8 x 50 mm Screws***

**Qty: 4**



***Rectangular Washers***

**Qty: 4**



***Cable Ties***

**Qty: 2**



***M6/M8 Wrench***

**Qty: 1**





**4 mm Hex Key**

**Qty: 1**



**6 mm Hex Key**

**Qty: 1**



**5 mm Hex Key**

**Qty: 1**



**Small Spacers'**

**Qty: 8**



**Large Spacers**



**Qty: 8**



**Floor Anchor**

**Qty: 1**

## Technical Specifications

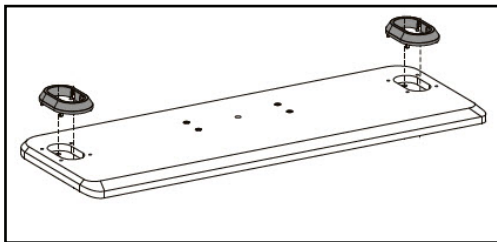
 <p><b>Total Weight</b></p>	<p><b>80 kg (176 lb)</b></p>
 <p><b>Screen Size</b></p>	<p><b>45" - 55" (1143 mm to 1397 mm)</b></p>

## Requirements

- Phillips Head Screwdriver x 1
- A TV or Display compatible with VESA mounting holes patterns x 1
- Compatible VESA mounting hole patterns: 200x200, 200x300, 200x400, 300x200, 300x300, 400x200, 400x300, 400x400, 600x200, 600x300, 600x400

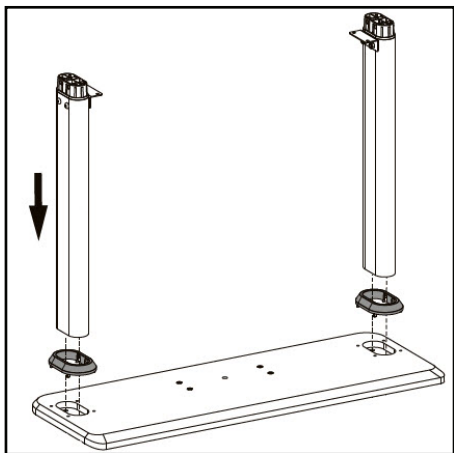
## Assembling the Display Kiosk

1. Align the **End Caps** (x 2) with the **Notches** in the **Lower Base Board**.
2. Insert the **End Caps** into the **Notches** in the **Lower Base Board**.



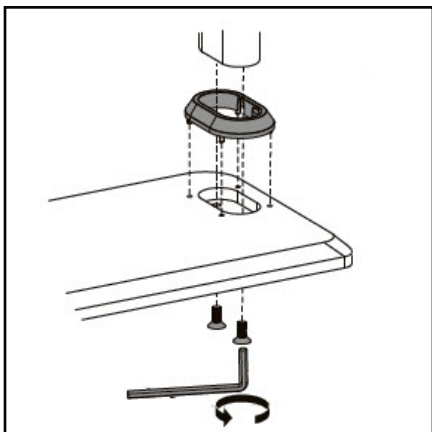
*Aligning the End Caps with the Lower Base Board*

3. Align the bottom of the **Lower Columns** (x 2) with the **End Caps**. Make sure that the **Bracket** on the **Lower Columns** are at the top and facing inwards.
4. Insert the **Lower Columns** into the **End Caps**.



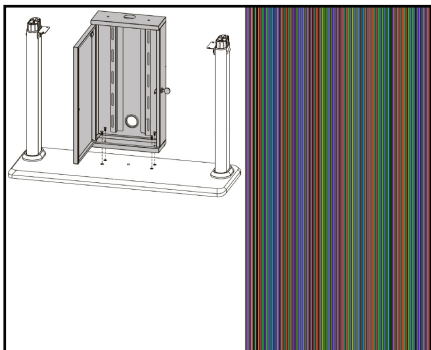
*Aligning the Lower Columns with the End Caps*

5. Insert the **M10 x 25 mm Screws** (2 per column) through the **Lower Base Board** and **End Caps** and into the **Lower Column**.
6. Using the **6 mm Hex Key** tighten the **M10 x 25 mm Screws**, being careful not to over-tighten.



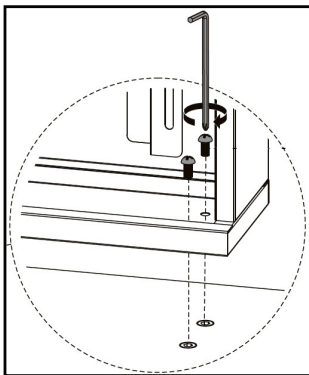
*Inserting the M10 x 25 mm Screws*

7. Using the included **Key**, unlock the **Cabinet Door**.
8. Align the four interior **Screw Hole** inside the **Cabinet** with the four **Screw Holes** on the center of the **Lower Base Board**.



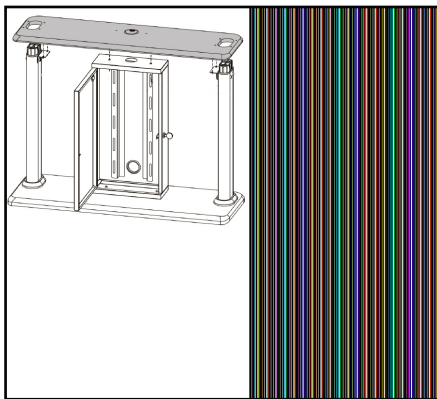
### *Installing the Cabinet*

9. Insert four **M6 x12 mm Screws** through the **Screw Holes** inside of the **Cabinet** and into the **Screw Holes** in the **Lower Base Board**.
10. Using the **Phillips Head** side of the **5 mm Hex Key**, tighten the **M6 x 12 mm Screws**. Be careful not to over-tighten the **M6 x 12 mm Screws**.



### *Inserting the M6 x 12 mm Screws*

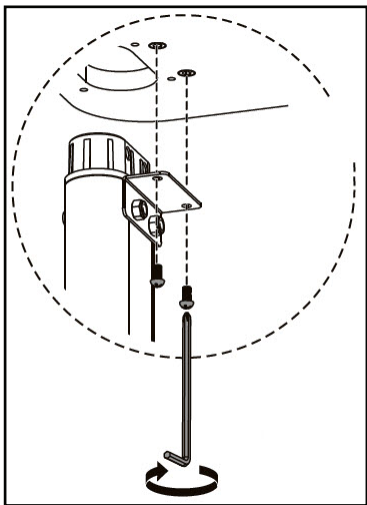
11. Align the **Column Holes** on the **Upper Base Board** with the top of the **Lower Columns**
12. Insert the top of the **Lower Column** into the **Column Holes** on the **Upper Base Board**. This should align the two center **Screw Holes** and the **Cable Management Hole** with the two **Screw Holes** and **Cable Management Hole** on the top of the **Cabinet**. Make sure that the two **Screw Holes** on the **Upper Base Board** align with the two **Screw Holes** on the **Brackets** on the **Lower Columns**.



*Align the Upper Base Board with the Lower Columns*

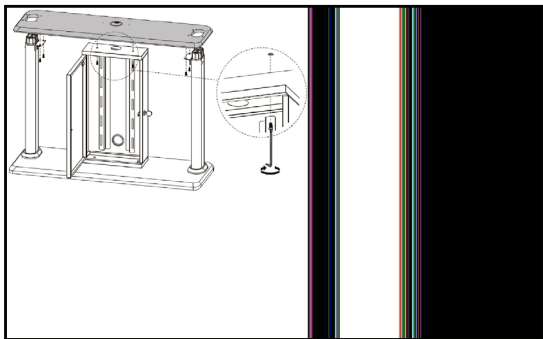
13. Insert two **M6 x 12 mm Screws** up through the **Bracket** on the **Lower Column** and into the **Upper Base Board**.
14. Using the **Phillips Head** side of the **5 mm Hex Key**, tighten the **M6 x 12 mm Screws**. Be careful not to over-tighten the **M6 x 12 mm Screws**.





*Tightening the M6 x 12 mm Screws*

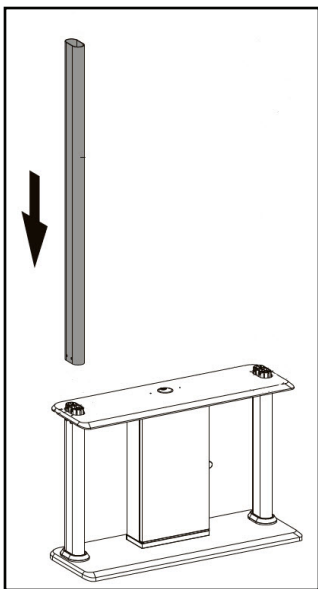
15. Repeat steps 11 - 12 to fasten the second **Lower Column** to the **Upper Base Board**.
16. Insert two **M6 x 12 mm Screws** through the two **Screw Holes** on the inside of the **Cabinet** and up into the **Upper Base Board**.



### *Installing the Upper Base Board*

17. Using the **Phillips Head** side of the **5 mm Hex Key**, tighten the **M6 x 12 mm Screws**. Be careful not to over-tighten the **M6 x 12 mm Screws**.
18. Align one of the **Upper Columns** with the top portion of the **Lower Column** that is protruding through the **Upper Base Board**.

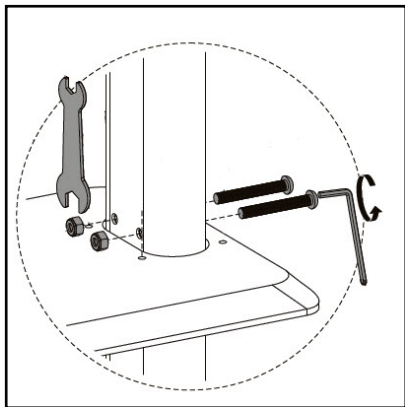
**Note:** Make sure that the **Screw Holes** on the side of the **Upper Column** are facing inward.



### *Installing the Upper Column*

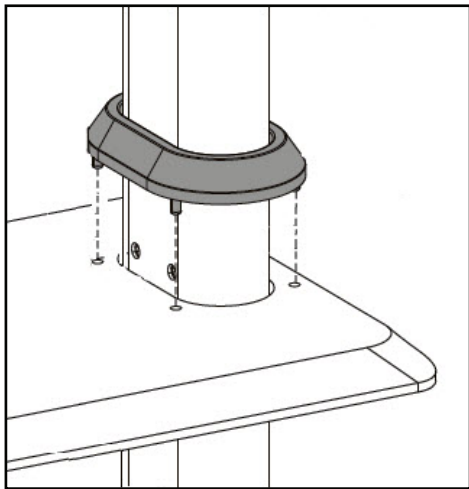
19. Align the **Screw Holes** (2 per side) on the lower portion of the **Upper Column** with the **Screw Holes** (2 per side) on the **Lower Column** that is protruding through the **Upper Base Board**.
20. Insert two **M8 x 60 mm Screws** through the **Screw Holes** on the **Upper Column** and the **Screw Holes** on the **Lower Column** and into the **Nuts** on the opposite side.

21. Using the **Wrench** hold the **Nut** on the end of the **M8 x 60 mm Screw**, use the **Hex** side of the **5 mm Hex Key** to tighten the **M8 x 60 mm Screws**.



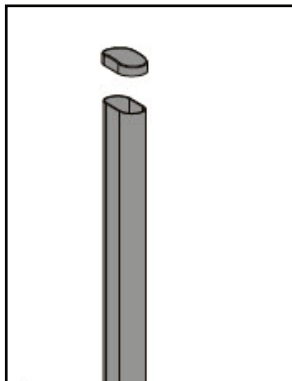
*Attaching Upper Column*

22. Slide the **Lower Column Cap** over the top of the **Upper Column** and slide it down to the base (where the **Upper Column** is attached to the **Lower Column**). Snap the **Lower Column Cap** into the **Holes** (x 4) in the **Upper Base Plate** securing the **Lower Column Cap** in place.



*Installing the Lower Column Cap*

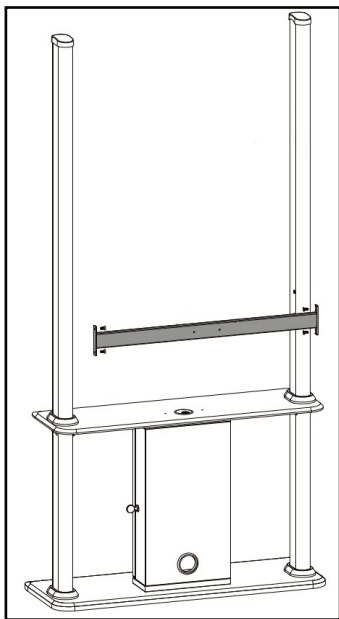
23. Insert the **End Cap** on the top of the **Upper Column**.



*Installing End Cap*

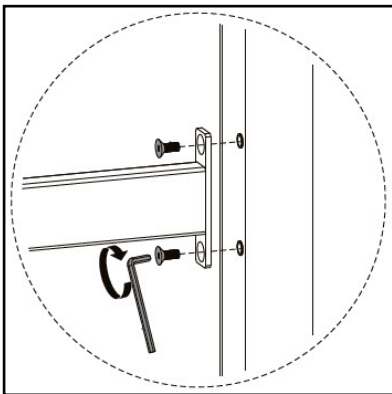
24. Repeat steps 16 - 21 to install the second **Upper Column**.
25. Align the **Screw Holes** on the **Cross Bar Bracket** with the interior **Screw Holes** on the **Upper Columns**.

**Note:** Make sure that the two **Screw Holes** in the center of the **Cross Bar** are facing towards the **back** of the **Display Kiosk**.



### *Installing the Cross Bar*

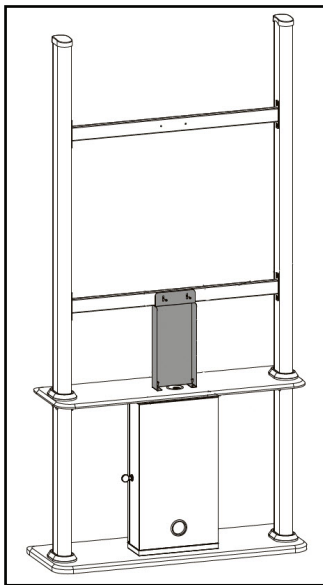
26. Insert an **M6 x 15 mm Screw** (2 per bracket) through the **Screw Holes** on the **Cross Bar Bracket** and into the **Upper Column**.
27. Using the **4 mm Hex Key** tighten the **M6 x 15 mm Screws**.  
Be Careful not to over-tighten the **M6 x 15 mm Screws**.



*Attaching the Cross Bar to the Upper Column*

28. Repeat steps 23 - 25 to install the second **Cross Bar**.
29. Align the **Screw Holes** on the top of the **Cable Bracket** (the top has a plate), with the **Screw Holes** on the center of the lower **Cross Bar**. Make sure that the **Screw Holes** on the bottom of the **Cable Bracket** are also aligned with the **Screw Holes** on the **Upper Base Board**, located on either sides of the **Cable Management Hole**.

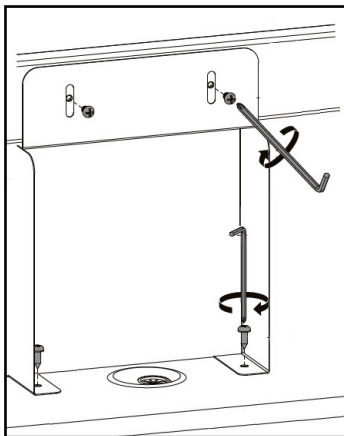




### *Installing the Cable Bracket*

30. Insert two **M4 x 6 mm Screws** through the **Screw Holes** in the top plate on the **Cable Bracket** and into the center **Screw Holes** in the lower **Cross Bar**.
31. Using the Phillips Head tip on the **5 mm Hex Key** tighten the **M4 x 6 mm Screws**. Be careful not to over-tighten the **M4 x 6 mm Screws**.

32. Insert two **Screws** through the **Screw Holes** in the bottom of the **Cable Bracket** and into the **Screw Holes** in the **Upper Base Board**.
33. Using the **Phillips Head** tip on the **5 mm Hex Key** tighten the **Screws**. Be careful not to over-tighten the **Screws**.

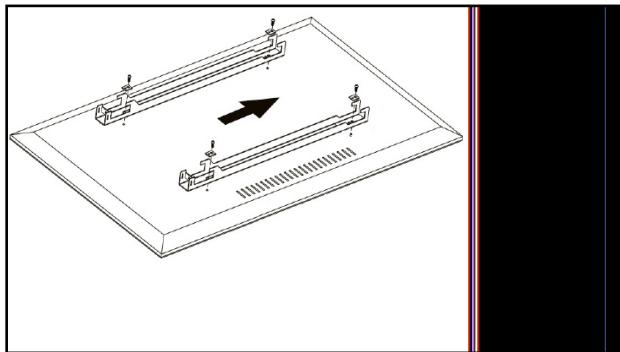


### *Attaching the Cable Bracket*

34. Attach the two **Cable Clips** into the **Holes** in the center of the **Cable Bracket**. Make sure to attach the **Cable Clips** to the back of the **Cable Bracket** so that the cables are hidden when routing the cables.

## Attaching the Display Brackets (Flush)

1. Align the **Screw Holes** on the **Display Brackets** with the **Screw Holes** along the back of the **Display**. Make sure that the **Display Brackets** are aligned along the length of the **Display**, so that the **Display** can be mounted vertically.

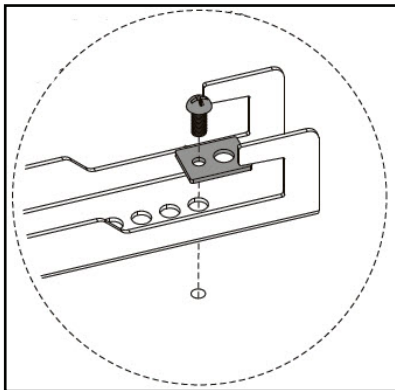


### *Aligning the Display Brackets*

2. Select the appropriate **Screws** for mounting the **Display Brackets** (**M5 x 14 mm, M6 x 14 mm, M6 x 30 mm, M8 x 30 mm, or M8 x 50 mm**).
3. Align the appropriate **Screw Hole** on the **Square Washer** with the **Screw Hole** on the **Display Bracket**.
4. Insert the appropriate **Screw** through the **Screw Hole** in the **Square Washer** and **Display Bracket** and into the **Screw Hole** on the **Display**.

- Using a **Phillips Head Screwdriver** tighten the **Screw**. Be careful not to over-tighten.

**Warning!** Do not over-tighten the **Screws**. If you encounter resistance while you're tightening the **Screws**, stop tightening. Failure to do so could result in damage to the Display.



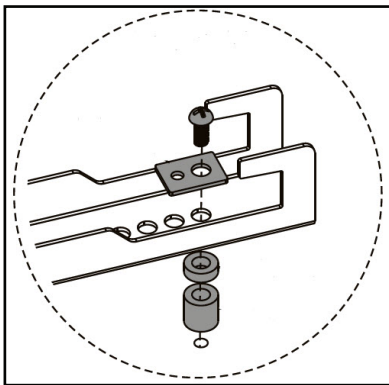
*Attaching the Display Brackets*

## Attaching the Display Brackets (Recessed)

**Note:** Spacers can also be used for shortening the included Mounting Hardware.

- Select the appropriate **Mounting Hardware** for mounting the **Display Brackets** (**M5 x 14 mm, M6 x 14 mm, M6 x 30 mm, M8 x 30 mm, or M8 x 50 mm** and **Spacers**).

2. Align the **Spacers** with the **Screw Holes** along the back of the **Display**.
3. Align the **Screw Holes** on the **Display Bracket** with the **Spacers**.
4. Align the **Square Washer** with the **Screw Holes** on the **Display Bracket**.
5. Insert the appropriate **Screw** through the **Screw Hole** in the **Square Washer, Display Bracket** and **Spacers** and into the **Screw Hole** on the **Display**.








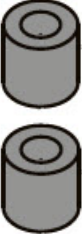


### *Aligning the Spacers, Square Washer and Screw*

6. Using a **Phillips Head Screwdriver** tighten the **Screw**. Be careful not to over-tighten.

---

**Warning!** Do not over-tighten the **Screws**. If you encounter resistance while you're tightening the **Screws**, stop tightening. Failure to do so could result in damage to the Display.

## Spacer Combinations

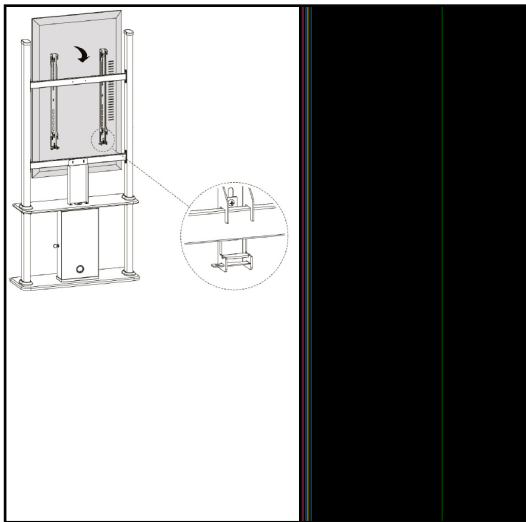
Screw Type	Spacer Combination		
 <p data-bbox="137 535 314 675"><i>M6 x 30 mm</i> or <i>M8 x 30 mm</i></p>			
 <p data-bbox="137 1023 314 1057"><i>M8 x 50 mm</i></p>			

## Mounting the Display

It is recommended that two people lift the **Display** onto the **Display Kiosk**.

**Note:** Use proper lifting techniques when lifting the **Display**.

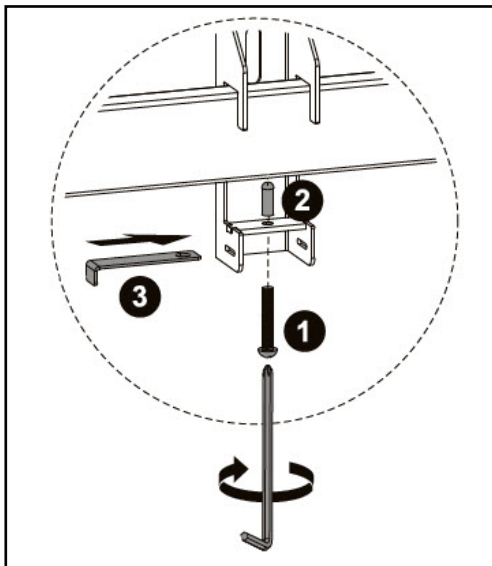
1. Lift the **Display** into position, aligning the **Hooks** on the **Display Brackets** with the **Cross Bars**.
2. Attach the **Hooks** on the **Display Brackets** with the upper and lower **Cross Bars**.



*Attaching the Display to the Cross Bar*



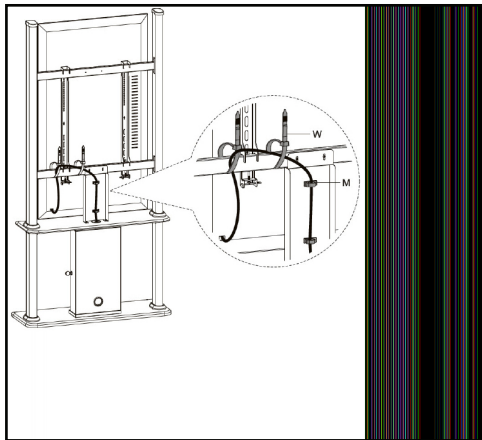
3. Insert a **M6 x 35 mm Screw** through the **Screw Hole** in the **Display Bracket** and into a **Screw Cap**.
4. Use the **5 mm Hex Key** to tighten the **M6 x 35 mm Screw**. Be careful not to over-tighten.
5. (Optional) to deter the theft of the Display, slide the **Locking Bracket** through the two **Notches** (under the **M6 x 35 mm Screw**) on the **Display Bracket**. Insert a **Lock** (sold separately) through the hole at the end of the **Locking Bracket**.



### *Securing the Display Bracket to the Cross Bars*

6. Repeat steps 3 - 4 to secure the second **Display Bracket** to the **Cross Bar**.
7. Route the **Display Cables** along the **Cross Bars** and wrap a **Cable Tie** around a section of the **Cross Bar** where a **Cable** is running to secure it to the **Cross Bar**. Feed the tip of the **Cable Tie** through the fastener and pull the end securing the **Cable** to the **Cross Bar**.

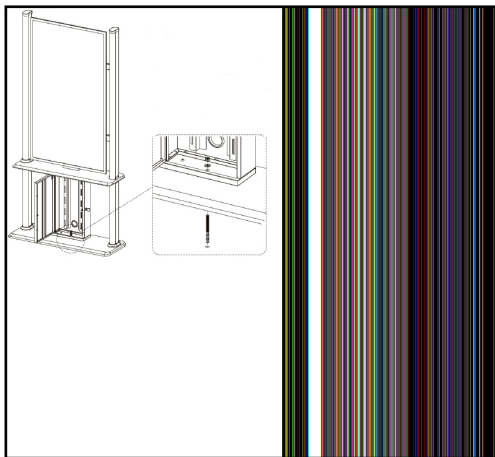
8. Route the **Display Cables** down through the **Cable Clips** on the back of the **Cable Bracket**.
9. Finally route the **Display Cables** through the **Cable Management Hole** through the top of the **Upper Base Board** and connect them to the **A/V Equipment** or route them out the **Cable Management Hole** in the back of the **Cabinet**.



*Attaching the Cable Clips*

## Securing the Display Kiosk

The **Display Kiosk** must be secured to a level, flat surface by using the **Floor Anchor**, if suitable. The floor anchoring hardware included with this product is designed for solid concrete floors. If you lack the necessary expertise to determine the suitability of the provided hardware for your floor, or how to safely anchor this product, contact a construction professional to anchor the stand or to provide specific instructions for your floor type.



*Attaching the Floor Anchor*

**Note:** *Tipping Hazard! This product is freestanding and inherently unstable especially when equipment is mounted. Therefore, it must be securely attached to the floor using the supplied or appropriate anchoring hardware.*

## Warranty Information

This product is backed by a five-year warranty.

For further information on product warranty terms and conditions, please refer to [www.startech.com/warranty](http://www.startech.com/warranty).

## Limitation of Liability

In no event shall the liability of StarTech.com Ltd. and StarTech.com USA LLP (or their officers, directors, employees or agents) for any damages (whether direct or indirect, special, punitive, incidental, consequential, or otherwise), loss of profits, loss of business, or any pecuniary loss, arising out of or related to the use of the product exceed the actual price paid for the product.

Some states do not allow the exclusion or limitation of incidental or consequential damages. If such laws apply, the limitations or exclusions contained in this statement may not apply to you.

## Hard-to-find made easy. At StarTech.com, that isn't a slogan. It's a promise.

StarTech.com is your one-stop source for every connectivity part you need. From the latest technology to legacy products — and all the parts that bridge the old and new — we can help you find the parts that connect your solutions.

We make it easy to locate the parts, and we quickly deliver them wherever they need to go. Just talk to one of our tech advisors or visit our website. You'll be connected to the products you need in no time.

Visit [www.startech.com](http://www.startech.com) for complete information on all StarTech.com products and to access exclusive resources and time-saving tools.

StarTech.com is an ISO 9001 registered manufacturer of connectivity and technology parts since 1985 with operations around the world.

### Reviews

Share your experiences using StarTech.com products, including product applications and setup, what you love about the products, and areas for improvement.

#### StarTech.com Ltd.

45 Artisans  
Crescent  
London, Ontario  
N5V 5E9  
Canada

#### StarTech.com LLP

4490 South  
Hamilton Road  
Groveport, Ohio  
43125  
U.S.A.

#### StarTech.com Ltd.

Unit B, Pinnacle 15  
Gowerton Road  
Brackmills,  
Northampton  
NN4 7BW  
United Kingdom

#### StarTech.com Ltd.

Siriusdreef 17-27  
2132 WT  
Hoofddorp  
The Netherlands

FR: [fr.startech.com](http://fr.startech.com)

DE: [de.startech.com](http://de.startech.com)

ES: [es.startech.com](http://es.startech.com)

NL: [nl.startech.com](http://nl.startech.com)

IT: [it.startech.com](http://it.startech.com)

JP: [jp.startech.com](http://jp.startech.com)