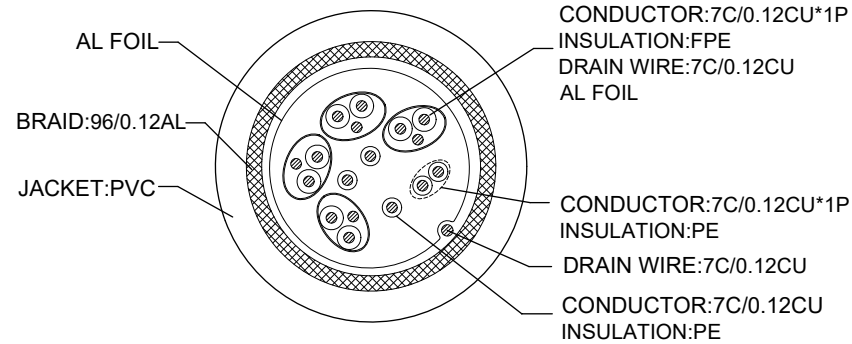
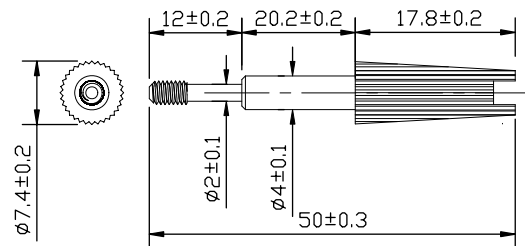
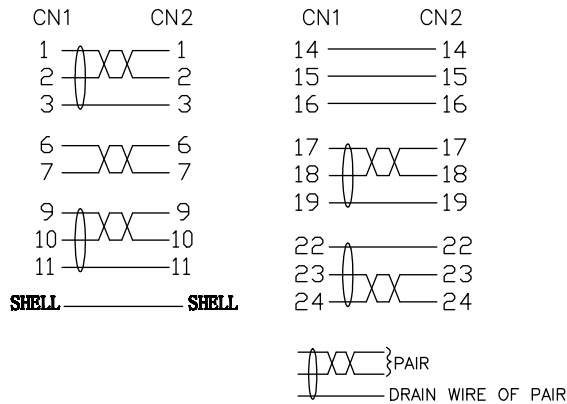


CABLE CONSTRUCTION



PIN Assignment



Model	L(mm)
DVIDSMM1M	1000±30
DVIDSMM2M	2000±50
DVIDSMM3M	3000±50
DVIDSMM10	3050±100
DVIDSMM15	4570±100
DVIDSMM5M	5000±100
DVIDSMM20	6100±100
DVIDSMM25	7620±200

ITEM	P/N	DESCRIPTIONS	UNIT	QTY
⑦	OVER MOLD	60P PVC,BLACK	g	
⑥	OVER MOLD	60P PVC,BLACK	g	
⑤	INTERNAL MOLD	PE	g	
④	SCREW	4-40 UNC 50mm,NICKEL PLATED	PCS	4
③	CORE	FERRITE:14.5mm*28.5mm*9mm	PCS	2
②	CONNECTOR	DVI18+1 Male, Nickel-Plated	PCS	2
①	CABLE	(7/0.12CU/FPE*1P +7/0.12CU +AL FOIL)*4P+7/0.12CU/PE*1P+7/0.12CU/PE*3C+AL FOIL+D.W 7/0.12CU+0.12ALMG/96+OD7.3 PVC BLACK	M	

THIRD ANGLE PROJECTION

StarTech.com

GENERAL NOTES		PRODUCT ID	
DIMENSIONS ARE IN MM - DO NOT SCALE		DVIDSMMxx	
THIS DOCUMENT CONTAINS CONFIDENTIAL, PROPRIETARY INFORMATION THAT IS PROPERTY OF STARTECH.COM		DESCRIPTION	
		DVI-D Single Link Cable - M/M	
		DO NOT SCALE	SHEET: 1 OF: 1
		UPLOAD DATE: 9/21/2021	