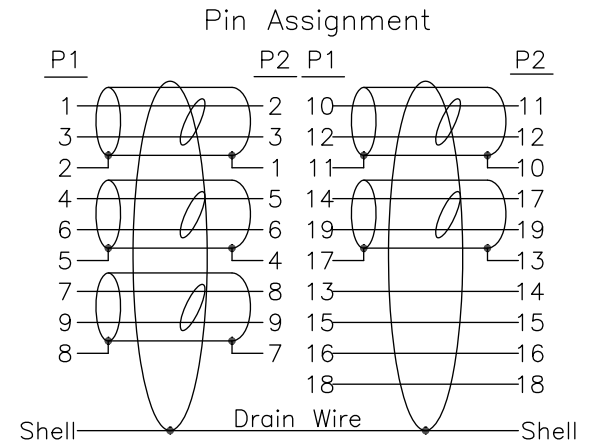


Electrical Test:
 1.100%Test(Open ,short ,miss wire)
 2.Contact Resistance: 5 ohm max.
 3.Insulation Resistance: 10M ohm Min.300V DC/10ms.



11	Double conductive copper foil~W=20MM
10	Heat shrinkable casing
9	HDMI C TYPE M~Clamp
8	Mini HDMI M 19P~Shell Gold plated~Pin Gold plated
7	HDMI M~PVC Boarding Cap
6	MINI HDMI M~PVC Boarding Cap
5	Low pressure mold material
4	45P Black PVC
3	HDMI AM~Clamp
2	HDMI AM~Shell Gold plated~Pin Gold plated
1	[36AWG(7/0.05TC)+EAM]*5P+36AWG(7/0.05TC)*4C+AB(16/10/0.06TC85%TC)~OD:3.6~TPE~Black~Marking:HIGH SPEED ...
NO	DESCRIPTION

THIRD ANGLE PROJECTION			
GENERAL NOTES		StarTech.com	
DIMENSIONS ARE IN MM - DO NOT SCALE		PRODUCT ID	HDMIACMM3S
THIS DOCUMENT CONTAINS CONFIDENTIAL, PROPRIETARY INFORMATION THAT IS PROPERTY OF STARTECH.COM		DESCRIPTION	3 ft Slim High Speed HDMI Cable with Ethernet - HDMI to HDMI Mini M/M
		DO NOT SCALE	SHEET: 1 OF: 1
		UPLOAD DATE: 4/28/2021	