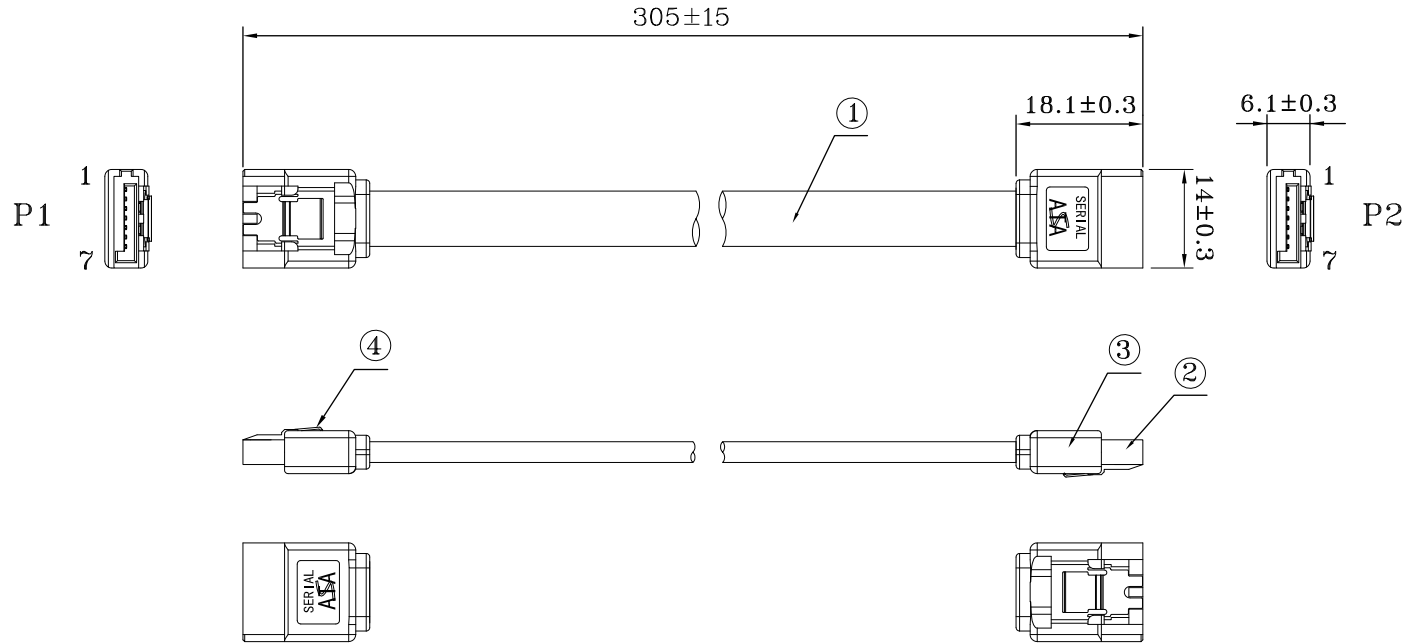
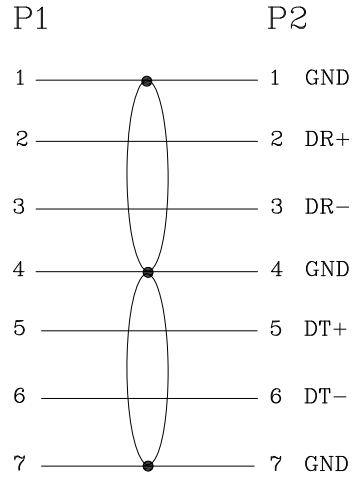


WIRE CONNECTION:



**ROHS**

- 100% OPEN / SHORT / INSULATING TEST
- INSULATION TEST: 2MΩ

Q'TY	COMPONENTS	DESCRIPTION
1	CABLE	Serial ATA Cable, UL2725, (26AWG*2C+AM+2D)*2PCS. Flat Cable, RED Color, Insulator Material: FM-PE
2	CONNECTOR	SATA 7P Female, Insulator: Black P.B.T UL94V-0 Contact: Copper Alloy 15u" Gold Plated
2	Hood	PVC Molded Color:Black
2	Spring Latch	Stainless steel

THIRD ANGLE PROJECTION

<b>GENERAL NOTES</b>		PRODUCT ID	LSATA12
DIMENSIONS ARE IN MM - DO NOT SCALE		DESCRIPTION	12in Latching SATA Cable
THIS DOCUMENT CONTAINS CONFIDENTIAL, PROPRIETARY INFORMATION THAT IS PROPERTY OF STARTECH.COM		<b>DO NOT SCALE</b>	<b>SHEET: 1 OF: 1</b>
		<b>UPLOAD DATE: 4/08/2021</b>	