

8

7

6

5

4

3

2

1

F

E

D

C

B

A

F

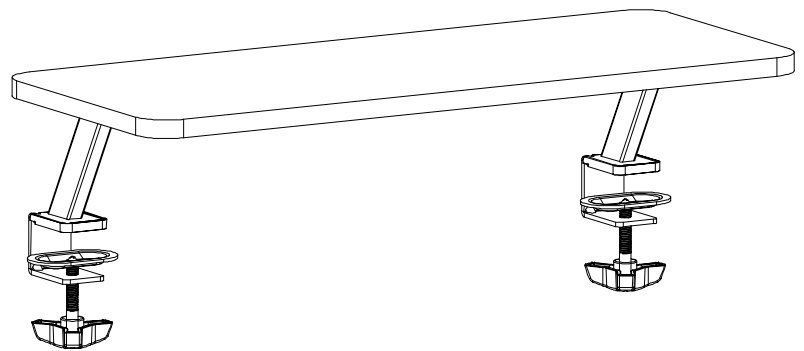
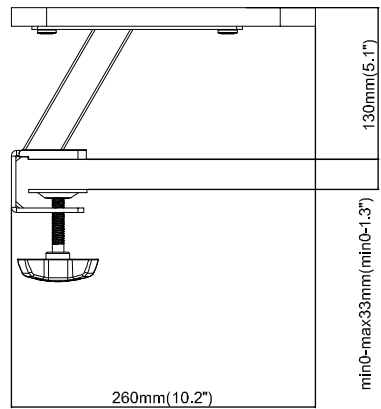
E

D

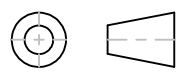
C

B

A



THIRD ANGLE PROJECTION



**GENERAL NOTES**

DIMENSIONS ARE IN MM - DO NOT SCALE

THIS DOCUMENT CONTAINS CONFIDENTIAL, PROPRIETARY INFORMATION THAT IS PROPERTY OF STARTECH.COM

# StarTech.com

PRODUCT ID	MNRISERCLMP		
DESCRIPTION	Monitor Riser Stand - Desk Mount - Extra Wide 25.6" (65 cm)		
<b>DO NOT SCALE</b>	<b>SHEET: 1 OF: 1</b>	<b>UPLOAD DATE: 4/1/2021</b>	

8

7

6

5

4

3

2

1