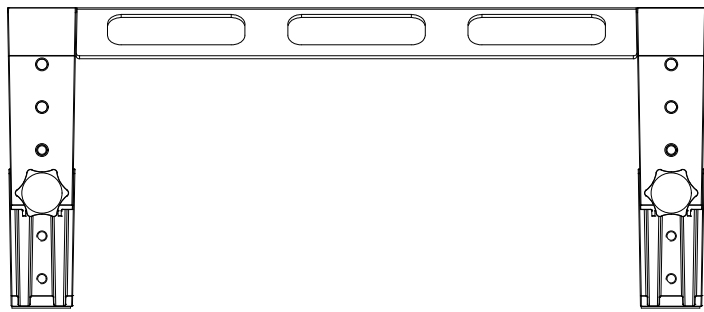
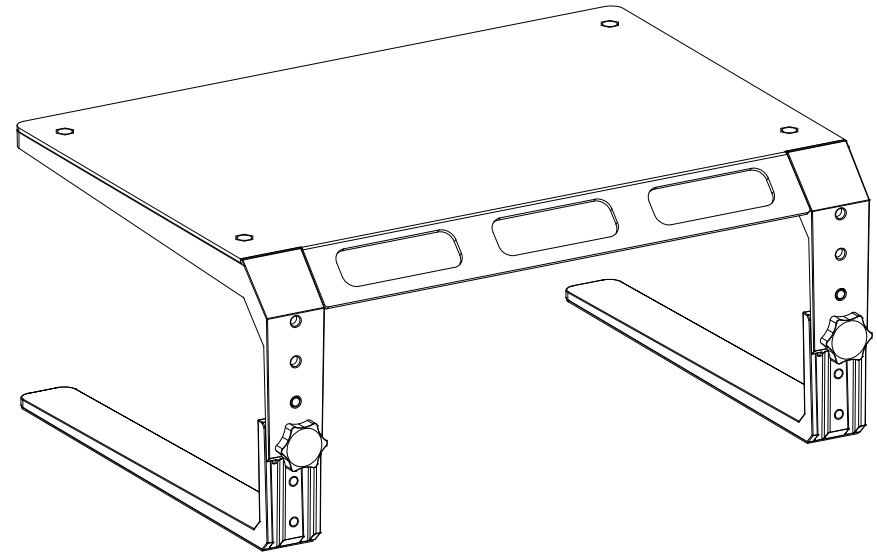
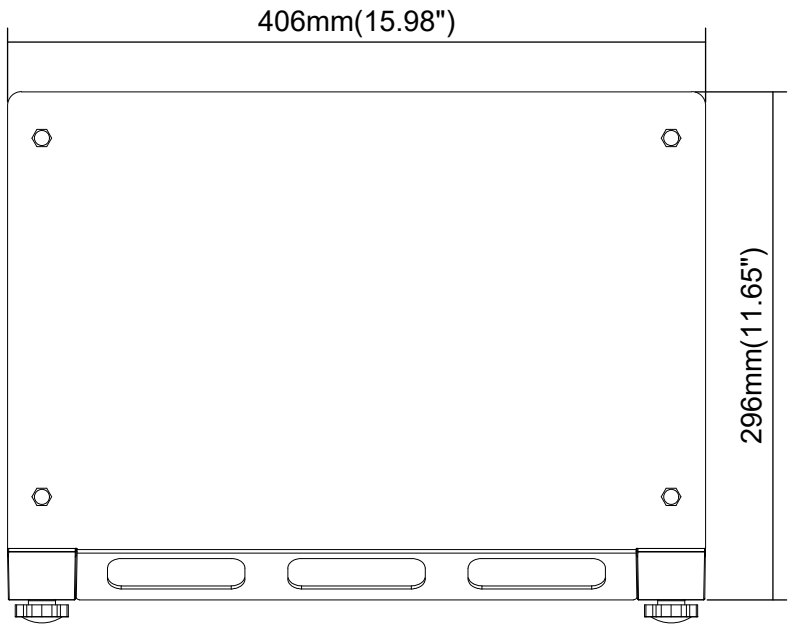
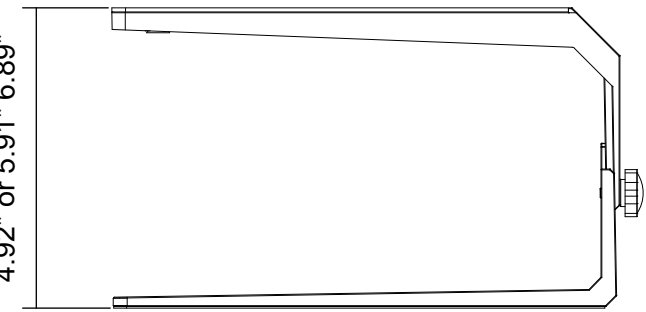


8 7 6 5 4 3 2 1

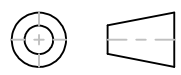
F  
E  
D  
C  
B  
A



125mm or 150mm or 175mm  
4.92" or 5.91" or 6.89"



THIRD ANGLE PROJECTION



**GENERAL NOTES**

DIMENSIONS ARE IN MM - DO NOT SCALE  
THIS DOCUMENT CONTAINS CONFIDENTIAL, PROPRIETARY INFORMATION THAT IS PROPERTY OF STARTECH.COM



PRODUCT ID	MONSTND		
DESCRIPTION	Monitor Riser Stand - Steel and Aluminum - Height Adjustable		
<b>DO NOT SCALE</b>	<b>SHEET: 1 OF: 1</b>	<b>UPLOAD DATE: 4/08/2021</b>	

8 7 6 5 4 3 2 1