

25U 36in Knock-Down Server Cabinet with Casters

RK2536BKF

- DE: Bedienungsanleitung - de.startech.com
- FR: Guide de l'utilisateur - fr.startech.com
- ES: Guía del usuario - es.startech.com
- IT: Guida per l'uso - it.startech.com
- NL: Gebruiksaanwijzing - nl.startech.com
- PT: Guia do usuário - pt.startech.com

Packaging Contents

- 1x Top Panel
- 3x Bottom Panel
- 2x Side Panel and Frame
- 4x Cross Brace
- 8x Plastic Corner Caps
- 4x Casters
- 2x Sets of Keys
- 1x Bag M6 Cab Screws and Nuts
- 2x Allen Wrench
- 1x Assembly Screw Kit
- 4x Adjustable Feet

Required Tools

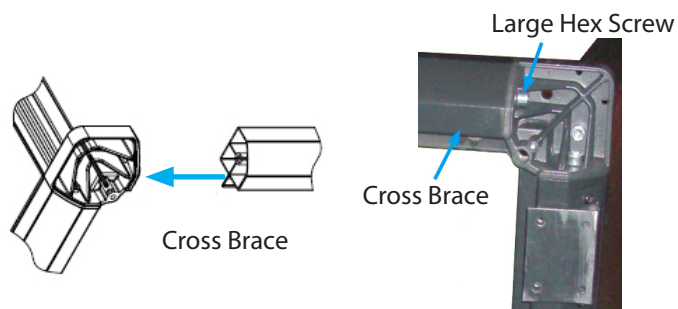
- Phillips (crosshead) screwdriver
- Adjustable wrench

Installation

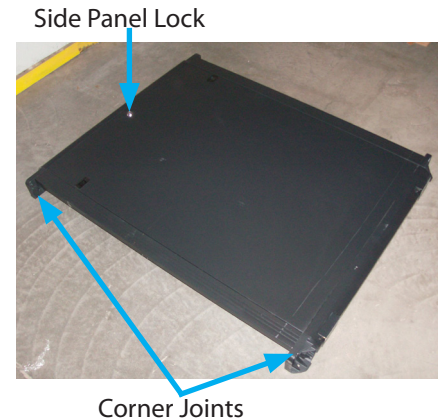
1. Connect the two side frames (with side doors) together using the 4 cross braces at each corner. Fasten using a large silver hex screw (M8) at each end of the brace with the large Allen Wrench. Ensure that the "fin" on the cross brace faces inwards. Attach the cross braces to one side first, then attach the second side frame to the braces.

NOTE: Make sure that the two side frames are right side up. Check that the lock and latches on the side doors are on the same end as well as the markings on the inner rack posts.

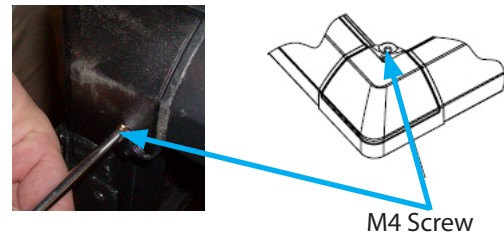
WARNING: Before proceeding, ensure that **ALL** hex screws are tightly wrench torqued to prevent accidental loosening during use.



WARNING! To prevent bodily injury, please ensure that the rack is installed in a structurally sound environment with a level floor and that all hardware has been assembled securely, and checked for stability before loading equipment. When installing equipment into the rack, start from the bottom of the rack first and move upwards, keeping the heaviest equipment at the bottom to avoid a situation where the rack becomes top-heavy.

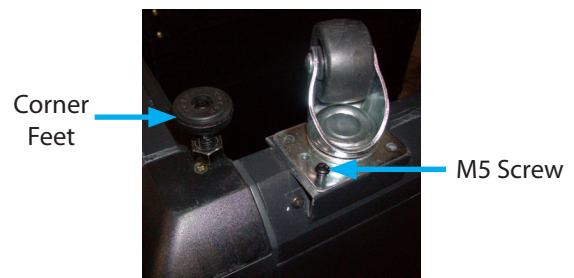


2. Place the Corner Caps over each of the 8 corner joints and fasten them with flat-head M4 screws and a Phillips screwdriver.



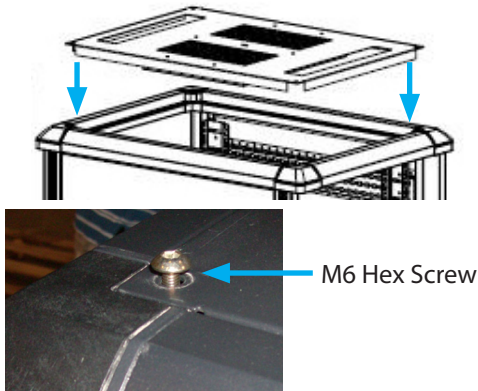
3. On the bottom of the rack, install the four adjustable corner feet and the four casters. The adjustable feet screw into the large openings in each corner with their height determined by the large hex nut. Screw in the feet to the desired height, then use an adjustable wrench to lock the hex nut in place. The casters are fastened using the M5 screws and Phillips screwdriver.

NOTE: You may wish to position the feet so the rack does not move, until assembly is complete.

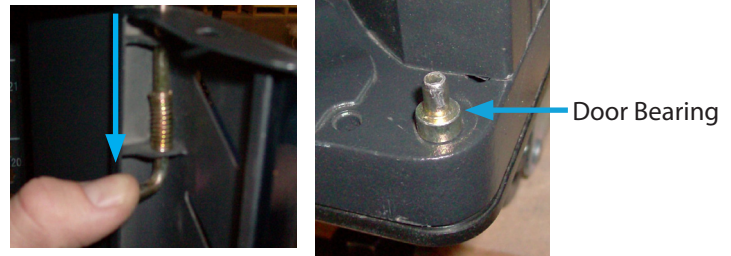


4. Position the rack right-side up (side panel locks at top) and drop the top panel onto the top of the rack. Fasten to the frame using M6 hex screws and the smaller Allen Wrench.

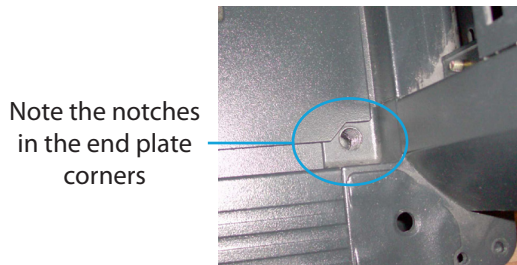
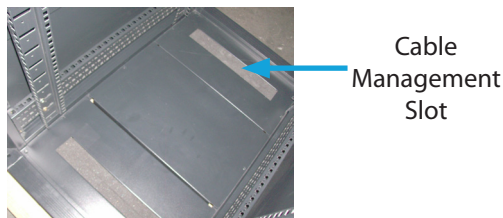
NOTE: Ensure the corner caps are installed before attempting to install the roof panel, otherwise the corners will not be level.



6. To install the front and rear doors, first install the door bearings into the bottom of the door frames. Install the door onto the bearing and then pull down the spring loaded door bearing to install the top of the door.



5. Position the 3 floor plates on the bottom of the rack, making sure the two pieces with the cable management slots are at the end. Fasten the floor plates with M5 screws and Phillips screw driver.



Specifications

Description	25U 36" Server Rack Cabinet with Glass Door
Material	Steel/Aluminum
Color	Black
Maximum Weight Capacity	800 kg
Internal Height	25U
Maximum Mounting Depth	812.8 mm
Mounting Width	19 inches
Mounting Hole Type	Square
External Dimensions (HxWxD)	1240.4mm x 600.0mm x 900.0mm
Net Weight	72 kg
Standards	EIA RS-310D, IEC297-2, DIN41491 (Part 1)
Certifications	RoHS, WEEE

FCC Compliance Statement

This equipment has been tested and found to comply with the limits for a Class B digital device, pursuant to part 15 of the FCC Rules. These limits are designed to provide reasonable protection against harmful interference in a residential installation. This equipment generates, uses and can radiate radio frequency energy and, if not installed and used in accordance with the instructions, may cause harmful interference to radio communications. However, there is no guarantee that interference will not occur in a particular installation. If this equipment does cause harmful interference to radio or television reception, which can be determined by turning the equipment off and on, the user is encouraged to try to correct the interference by one or more of the following measures:

- Reorient or relocate the receiving antenna.
- Increase the separation between the equipment and receiver.
- Connect the equipment into an outlet on a circuit different from that to which the receiver is connected.
- Consult the dealer or an experienced radio/TV technician for help.

Use of Trademarks, Registered Trademarks, and other Protected Names and Symbols

This manual may make reference to trademarks, registered trademarks, and other protected names and/or symbols of third-party companies not related in any way to StarTech.com. Where they occur these references are for illustrative purposes only and do not represent an endorsement of a product or service by StarTech.com, or an endorsement of the product(s) to which this manual applies by the third-party company in question. Regardless of any direct acknowledgement elsewhere in the body of this document, StarTech.com hereby acknowledges that all trademarks, registered trademarks, service marks, and other protected names and/or symbols contained in this manual and related documents are the property of their respective holders.

Technical Support

StarTech.com's lifetime technical support is an integral part of our commitment to provide industry-leading solutions. If you ever need help with your product, visit www.startech.com/support and access our comprehensive selection of online tools, documentation, and downloads.

For the latest drivers/software, please visit www.startech.com/downloads

Warranty Information

This product is backed by a lifetime warranty.

In addition, StarTech.com warrants its products against defects in materials and workmanship for the periods noted, following the initial date of purchase. During this period, the products may be returned for repair, or replacement with equivalent products at our discretion. The warranty covers parts and labor costs only. StarTech.com does not warrant its products from defects or damages arising from misuse, abuse, alteration, or normal wear and tear.

Limitation of Liability

In no event shall the liability of StarTech.com Ltd. and StarTech.com USA LLP (or their officers, directors, employees or agents) for any damages (whether direct or indirect, special, punitive, incidental, consequential, or otherwise), loss of profits, loss of business, or any pecuniary loss, arising out of or related to the use of the product exceed the actual price paid for the product. Some states do not allow the exclusion or limitation of incidental or consequential damages. If such laws apply, the limitations or exclusions contained in this statement may not apply to you.