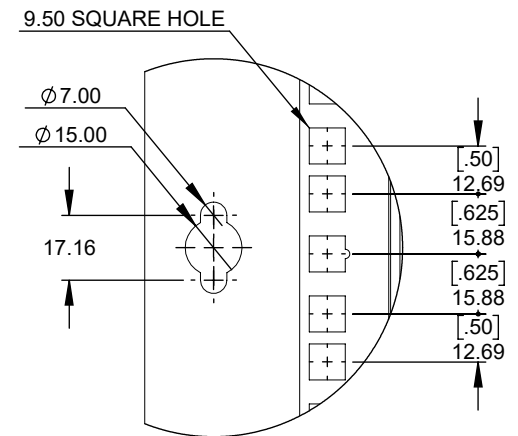


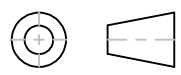
DETAIL B
SCALE 1 : 2



DETAIL C
SCALE 1 : 2

SECTION A

THIRD ANGLE PROJECTION



GENERAL NOTES

DIMENSIONS ARE IN MM - DO NOT SCALE
THIS DOCUMENT CONTAINS CONFIDENTIAL, PROPRIETARY INFORMATION THAT IS PROPERTY OF STARTECH.COM



PRODUCT ID	RK919WALLO		
DESCRIPTION	9U 19" Wall Mount Network Rack 17" Deep 2 Post Open Frame 175lb Capacity		
DO NOT SCALE	SHEET: 1 OF: 1	UPLOAD DATE: 3/15/2021	