

## 6U Hinged Solid Server Rack Blanking Panel

RKPNLHS6U

DE: Bedienungsanleitung - de.startech.com

FR: Guide de l'utilisateur - fr.startech.com

ES: Guía del usuario - es.startech.com

IT: Guida per l'uso - it.startech.com

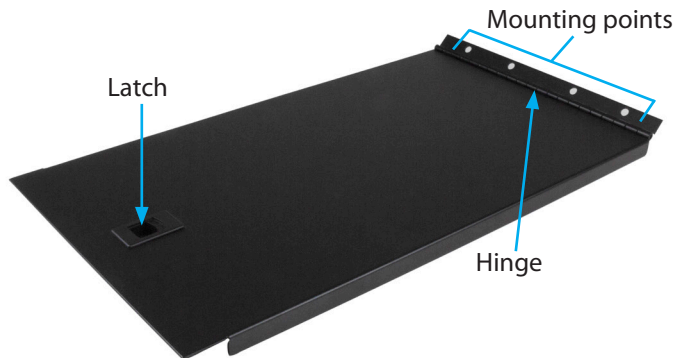
NL: Gebruiksaanwijzing - nl.startech.com

PT: Guia do usuário - pt.startech.com

### Packaging contents

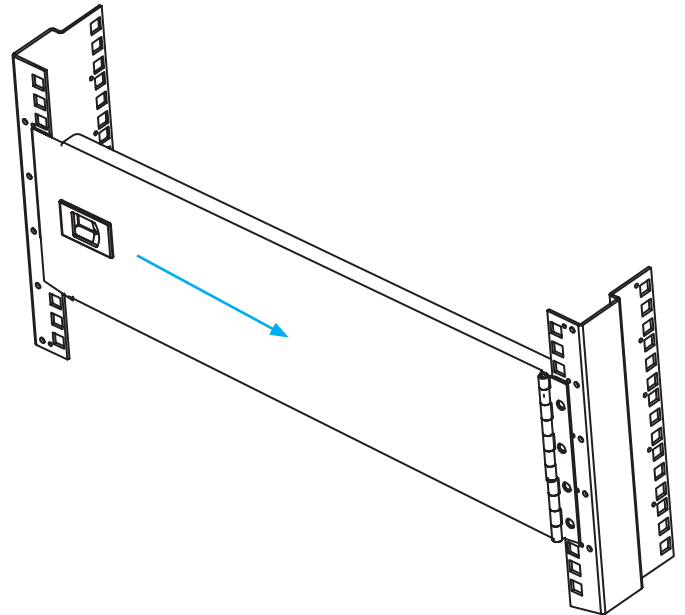
- 1 x 6U hinged solid blanking panel
- 4 x 5/8" #10-32 UNF screws
- 4 x #10-32 UNF cage nuts
- 1 x instruction manual

### Product diagram



### Installation

1. Select the 6U space in your rack where you want to mount the blanking panel and decide which side of the rack that you want the hinge to be on.
2. Insert the provided #10-32 UNF cage nuts into the mounting holes on either the left or the right post of your rack.
3. Secure the blanking panel in place by aligning the blanking panel with the cage nuts installed in the previous step, and insert the provided 5/8" #10-32 UNF screws into the cage nuts.
4. To open the panel, slide the latch towards the hinge and pull the panel towards yourself.



\*actual product may vary from photos

## **Use of Trademarks, Registered Trademarks, and other Protected Names and Symbols**

This manual may make reference to trademarks, registered trademarks, and other protected names and/or symbols of third-party companies not related in any way to StarTech.com. Where they occur these references are for illustrative purposes only and do not represent an endorsement of a product or service by StarTech.com, or an endorsement of the product(s) to which this manual applies by the third-party company in question. Regardless of any direct acknowledgement elsewhere in the body of this document, StarTech.com hereby acknowledges that all trademarks, registered trademarks, service marks, and other protected names and/or symbols contained in this manual and related documents are the property of their respective holders.

## **Technical Support**

StarTech.com's lifetime technical support is an integral part of our commitment to provide industry-leading solutions. If you ever need help with your product, visit [www.startech.com/support](http://www.startech.com/support) and access our comprehensive selection of online tools, documentation, and downloads.

For the latest drivers/software, please visit [www.startech.com/downloads](http://www.startech.com/downloads)

## **Warranty Information**

This product is backed by a two-year warranty.

StarTech.com warrants its products against defects in materials and workmanship for the periods noted, following the initial date of purchase. During this period, the products may be returned for repair, or replacement with equivalent products at our discretion. The warranty covers parts and labor costs only. StarTech.com does not warrant its products from defects or damages arising from misuse, abuse, alteration, or normal wear and tear.

## **Limitation of Liability**

In no event shall the liability of StarTech.com Ltd. and StarTech.com USA LLP (or their officers, directors, employees or agents) for any damages (whether direct or indirect, special, punitive, incidental, consequential, or otherwise), loss of profits, loss of business, or any pecuniary loss, arising out of or related to the use of the product exceed the actual price paid for the product. Some states do not allow the exclusion or limitation of incidental or consequential damages. If such laws apply, the limitations or exclusions contained in this statement may not apply to you.