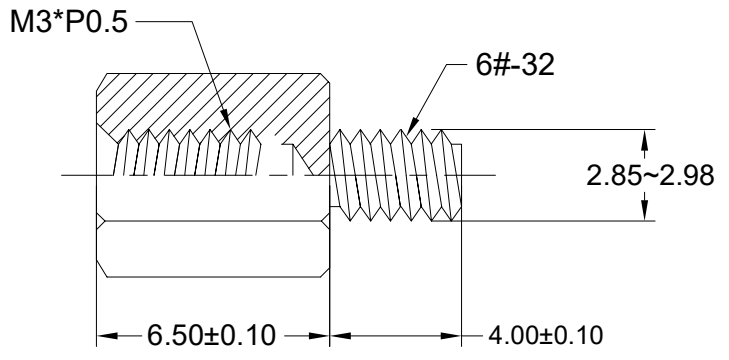
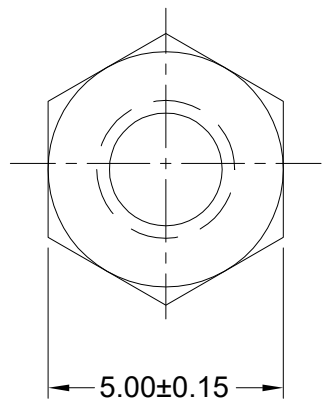


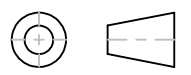
8 7 6 5 4 3 2 1

F
E
D
C
B
A



NOTES:
1.FINISH:COPPER

THIRD ANGLE PROJECTION



StarTech.com

GENERAL NOTES

DIMENSIONS ARE IN MM - DO NOT SCALE
THIS DOCUMENT CONTAINS CONFIDENTIAL, PROPRIETARY INFORMATION THAT IS PROPERTY OF STARTECH.COM

PRODUCT ID	SCREWNUTM		
DESCRIPTION	REPLACEMENT PC MOUNTING #6-32 TO M3 METAL JACK SCREW		
REV: A	DO NOT SCALE	SHEET : 1 OF: 1	DATE: 04/01/2020

8 7 6 5 4 3 2 1