

Installation Guide

2/4/8-Port VGA Video Splitter - Wall Mount

ST122WGB/ST124WGB/ST128WGB ST122WEU/ST124WEU/ST128WEU

CONVERGEAV

Packaging Contents

- 1 x VGA Video Splitter unit
- 1 x Power Adapter
- 1 x Installation Guide

System Requirements

- VGA enabled video source
- VGA enabled display device
- Available electrical outlet

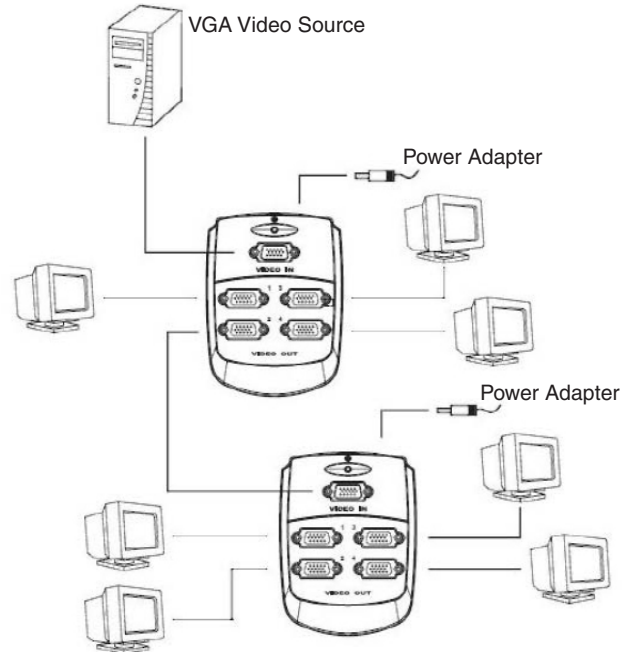
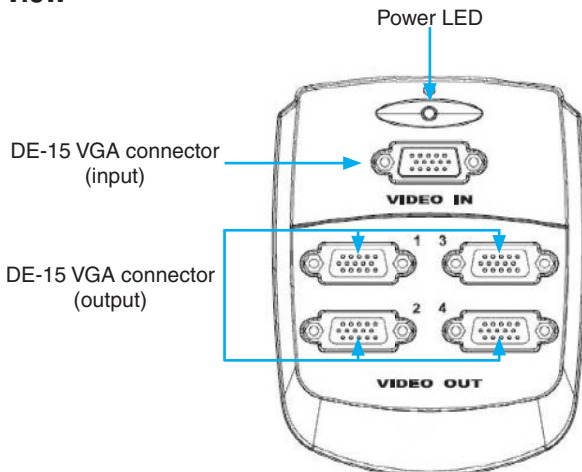
Installation

1. With the video source device and display devices powered off, connect a male/female DE-15 VGA cable from the Video In connector on the splitter to the VGA video output on the source device.
2. Using high quality male/male DE-15 VGA cables, connect each display device to the Video Output connectors on the splitter.
3. Connect the supplied power adapter from an electrical outlet to the video splitter.
4. Power on the connected display devices, followed by the video source device.

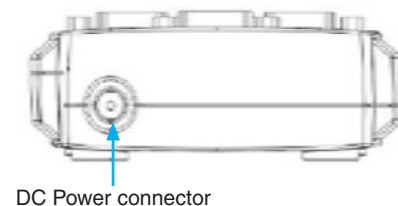
Cascaded Installation

1. To cascade/daisy-chain multiple video splitters together, use a male/female DE-15 VGA cable to connect any one of the Video Out connectors on the primary splitter, to the Video In connector on the secondary splitter.
2. A video splitter can be connected to each Video Out connector on the primary splitter.
3. Up to three (3) levels of cascading is supported, so connecting another video splitter to the secondary splitter is possible, allowing for up to 8 (ST122WEU), 64 (ST124WEU), or 512 (ST128W) video displays to be connected to a single source.

Top View



Rear View



Specifications

| | ST122WEU ST122WGB | ST124WEU ST124WGB | ST128WEU ST128WGB |
|---------------------------------|--|--|--|
| Video Signal | VGA (RGBHV) | | |
| Connectors | 2 x DE-15 VGA female 1 x DE-15 VGA male 1 x DC Power | 4 x DE-15 VGA female 1 x DE-15 VGA male 1 x DC Power | 8 x DE-15 VGA female 1 x DE-15 VGA male 1 x DC Power |
| LEDs | 1 x Power | | |
| Maximum Video Resolution | 1600x1200 | | |
| Maximum Distance | 65m/200ft | | |
| Video Bandwidth | 250MHz | | 200MHz |
| DDC Support | Yes (Port 1 only) | | |
| Power Adapter | 9VDC, 300mA | | |
| Operating Temperature | 0°C ~ 50°C (32°F ~ 122°F) | | |
| Storage Temperature | -20°C ~ 60°C (-4°F ~ 140°F) | | |
| Humidity | 0 ~ 80% RH | | |
| Dimensions (LxWxH) | 1145.0mm x 875mm x 333.0mm | | 1559.0mm x 979.0mm x 330.0mm |
| Weight | 140g | 150g | 220g |

FCC Compliance Statement

This equipment has been tested and found to comply with the limits for a Class B digital device, pursuant to part 15 of the FCC Rules. These limits are designed to provide reasonable protection against harmful interference in a residential installation. This equipment generates, uses and can radiate radio frequency energy and, if not installed and used in accordance with the instructions, may cause harmful interference to radio communications. However, there is no guarantee that interference will not occur in a particular installation. If this equipment does cause harmful interference to radio or television reception, which can be determined by turning the equipment off and on, the user is encouraged to try to correct the interference by one or more of the following measures:

- Reorient or relocate the receiving antenna.
- Increase the separation between the equipment and receiver.
- Connect the equipment into an outlet on a circuit different from that to which the receiver is connected.
- Consult the dealer or an experienced radio/TV technician for help.

Use of Trademarks, Registered Trademarks, and other Protected Names and Symbols

This manual may make reference to trademarks, registered trademarks, and other protected names and/or symbols of third-party companies not related in any way to StarTech.com. Where they occur these references are for illustrative purposes only and do not represent an endorsement of a product or service by StarTech.com, or an endorsement of the product(s) to which this manual applies by the third-party company in question. Regardless of any direct acknowledgement elsewhere in the body of this document, StarTech.com hereby acknowledges that all trademarks, registered trademarks, service marks, and other protected names and/or symbols contained in this manual and related documents are the property of their respective holders.

Technical Support

StarTech.com's lifetime technical support is an integral part of our commitment to provide industry-leading solutions. If you ever need help with your product, visit www.startech.com/support and access our comprehensive selection of online tools, documentation, and downloads.

Warranty Information

This product is backed by a one year warranty.

In addition, StarTech.com warrants its products against defects in materials and workmanship for the periods noted, following the initial date of purchase. During this period, the products may be returned for repair, or replacement with equivalent products at our discretion. The warranty covers parts and labor costs only. StarTech.com does not warrant its products from defects or damages arising from misuse, abuse, alteration, or normal wear and tear.

Limitation of Liability

In no event shall the liability of StarTech.com Ltd. and StarTech.com USA LLP (or their officers, directors, employees or agents) for any damages (whether direct or indirect, special, punitive, incidental, consequential, or otherwise), loss of profits, loss of business, or any pecuniary loss, arising out of or related to the use of the product exceed the actual price paid for the product. Some states do not allow the exclusion or limitation of incidental or consequential damages. If such laws apply, the limitations or exclusions contained in this statement may not apply to you.