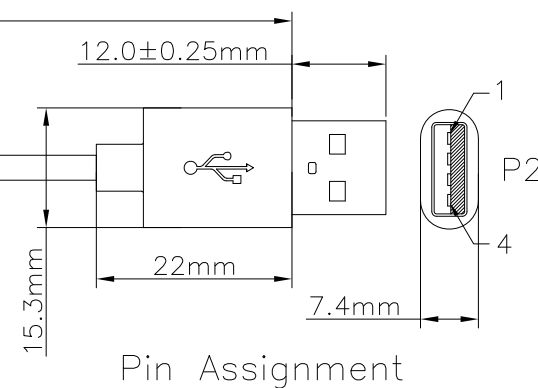
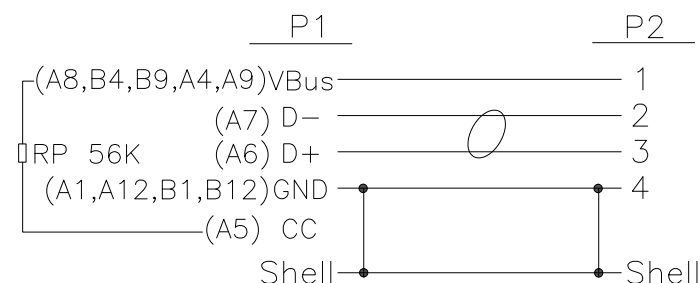


SKU NUMBER	LENGTH
USB2AC1M	1000mm +20/-0mm
USB2AC4M	4000mm +40/-0mm



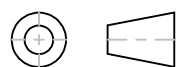
Pin Assignment

Electrical Test:  
 1.100%Test(Open ,short ,miss wire)  
 2.Contact Resistance: 3 ohm max.  
 3.Insulation Resistance: 10M ohm Min.300V DC/10ms.



NO	DESCRIPTION	Q'TY	UNIT
11	W=5MM 25u~Double conductive copper foil	0.024	m
10	USB2.0 AM~Back Shell~Nickel Plated	1	pcs
9	USB2.0 AM~Front Shell~Nickel Plated	1	pcs
8	USB AM~Insulator White~Pin Gold plated	1	pcs
7	LDPE	3	g
6	USB TYPE C~upper mater cover~Nickel Plated	1	pcs
5	USB TYPE C~lower mater cover~Nickel Plated	1	pcs
4	45P Black PVC	16	g
3	Low pressure mold material	0.5	g
2	USB C Type Connector With~PCB~Nickel Plated	1	pcs
1	NO~UL~[26AWG(7/0.6TC)+A]*1P+24AWG(26/0.10TC)*3C+4E(26/0.10TC)+AB(16/9/0.06TC 65%TC)OD:4.4MM~Black	4.02	m

THIRD ANGLE PROJECTION



GENERAL NOTES

DIMENSIONS ARE IN MM - DO NOT SCALE  
 THIS DOCUMENT CONTAINS CONFIDENTIAL, PROPRIETARY INFORMATION THAT IS PROPERTY OF STARTECH.COM

**StarTech.com**

PRODUCT ID	USB2ACxM
DESCRIPTION	USB-C to USB-A Cable - M/M - USB 2.0
DO NOT SCALE	SHEET: 1 OF: 1
	UPLOAD DATE: 11/26/2020