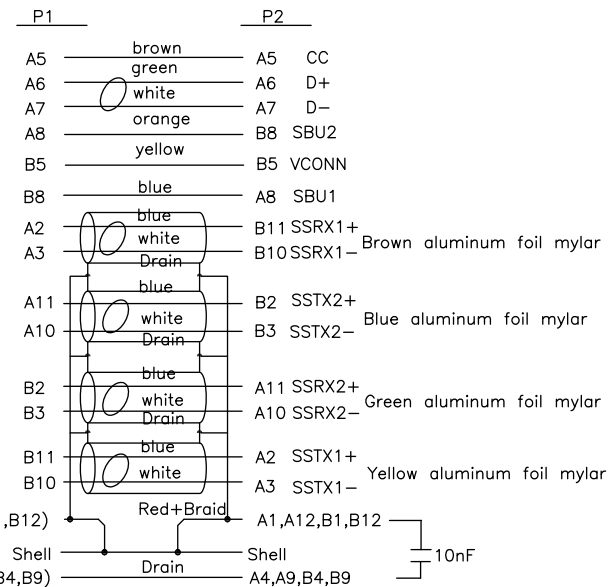


Pin Assignment

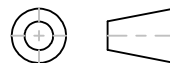


Electrical Test:

- 1.100%Test(Open ,short ,miss wire)
- 2.Contact Resistance: 3 ohm max.
- 3.Insulation Resistance: 10M ohm Min.300V DC/10ms.

10	TYPE C TO C~Clamp
9	Insulating tape~W=5MM
8	Copper foil~W=3MM 25u
7	USB TYPE C~lower mater cover
6	USB TYPE C~upper mater cover
5	45P~Black~PVC
4	Low pressure molding material
3	USB C Type Connector~PCB+SMT
2	USB C Type Connectorr~PCB+SMT(IC)
1	[32AWG(7/0.08TC)+EAM]*4P+32AWG(7/0.08TC)*1P+24AWG(41/0.08TC)*1C+32AWG(7/0.08TC)*4C+EAB(16/10/0.08TC 85%TC)OD:4.8MM~Black(BlackMarking:E342987 兎 AWM STYLE 2725 80℃ 30V VW-1
NO	DESCRIPTION

THIRD ANGLE PROJECTION



GENERAL NOTES

DIMENSIONS ARE IN MM - DO NOT SCALE  
THIS DOCUMENT CONTAINS CONFIDENTIAL, PROPRIETARY INFORMATION THAT IS PROPERTY OF STARTECH.COM

**StarTech.com**

PRODUCT ID	USB31CC50CM
DESCRIPTION	USB-C to USB-C Cable - M/M - 0.5 m - USB 3.1 (10Gbps)
DO NOT SCALE	SHEET: 1 OF: 1
	UPLOAD DATE: 10/19/2021