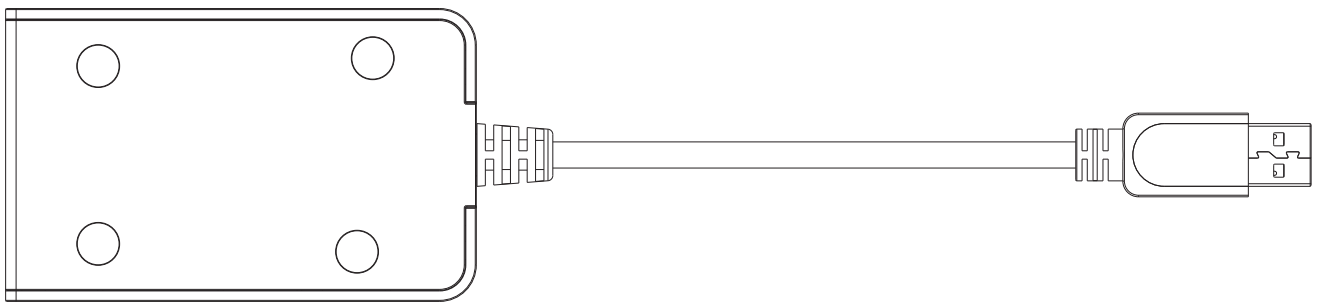
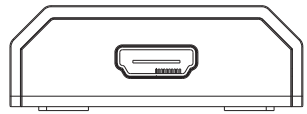
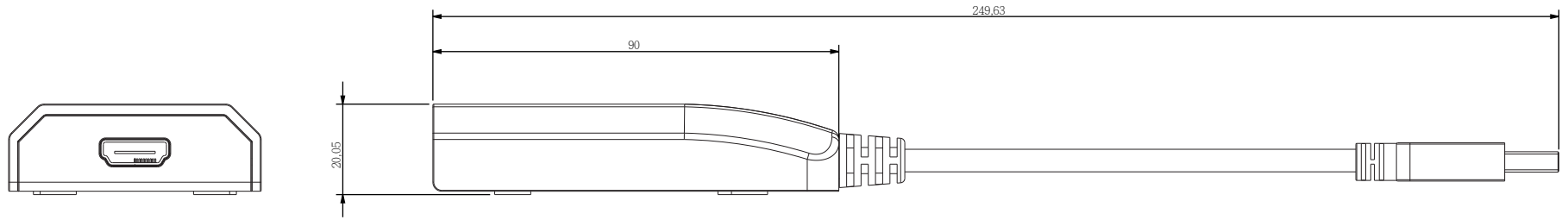
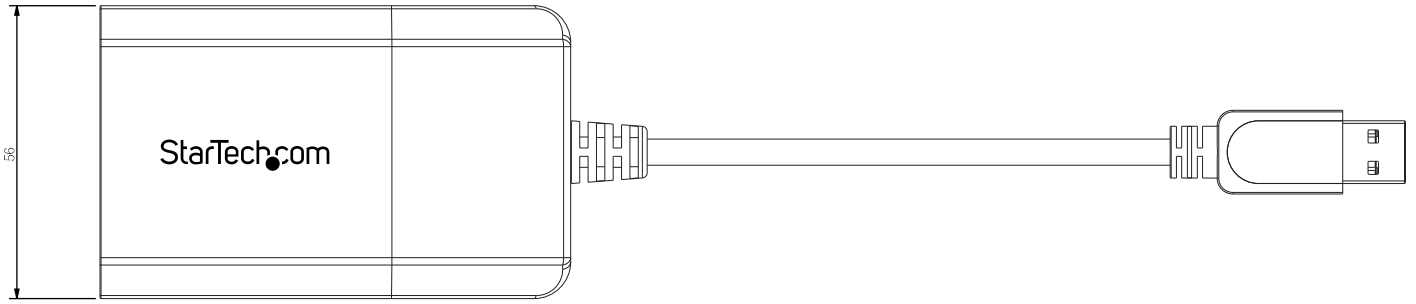
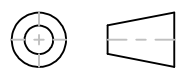


8 7 6 5 4 3 2 1

F  
E  
D  
C  
B  
A



THIRD ANGLE PROJECTION



**GENERAL NOTES**

DIMENSIONS ARE IN MM - DO NOT SCALE  
 THIS DOCUMENT CONTAINS CONFIDENTIAL,  
 PROPRIETARY INFORMATION THAT IS  
 PROPERTY OF STARTECH.COM



PRODUCT ID	USB32HDPRO		
DESCRIPTION	USB 3.0 to HDMI Adapter - DisplayLink Certified - 1920x1200		
<b>DO NOT SCALE</b>	<b>SHEET: 1 OF: 1</b>	<b>UPLOAD DATE: 3/3/2021</b>	

8 7 6 5 4 3 2 1